

# MONAE PD11706

## PENDANTS

PROJECT



PD11706-BG  
Brushed Gold



PD11706-BK  
Black

### SPECIFICATION DETAILS

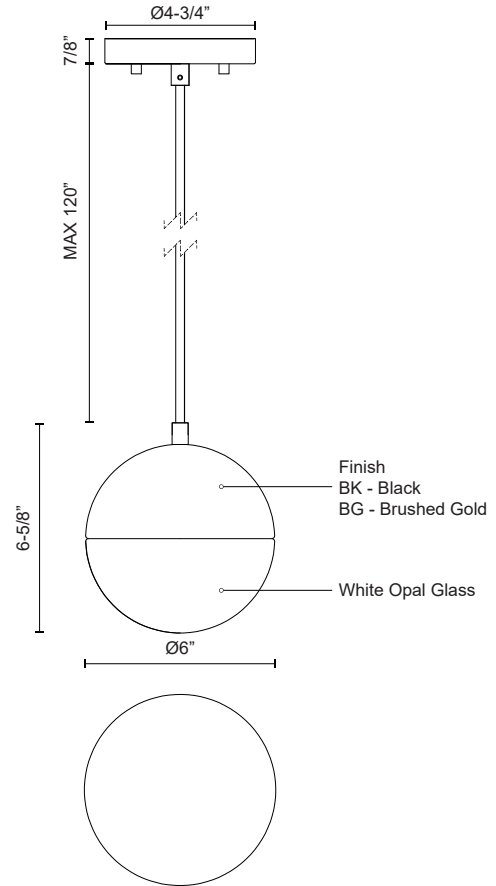
<b>Fixture Dimensions</b>	D6" x H6-5/8"
<b>Light Source</b>	AC LED Module
<b>Wattage</b>	13W
<b>Total Lumens</b>	800lm
<b>Delivered Lumens</b>	BG-450lm*; BK-383lm;
<b>Voltage</b>	120V
<b>Color Temperature</b>	3000K
<b>CRI (Ra)</b>	90CRI
<b>Optional Color Temps</b>	2700K - 5000K Available, Minimum Order Quantities Apply
<b>LED Rated Life</b>	50,000 hours
<b>Dimming</b>	100% - 10%, ELV Dimmer (Not Included)
<b>Glass Details</b>	Opal Glass
<b>Adjustable</b>	Yes
<b>Wire Length</b>	120" Max
<b>Wire Type</b>	Black Braided Cord
<b>Minimum Hang Height</b>	10"
<b>Location</b>	Dry
<b>Canopy Dimensions</b>	D4-3/4" x E7/8"
<b>Sloped Ceiling Adaptable</b>	Yes
<b>CEC Title 24 JA8</b>	Yes, JA8-2022
<b>Paint Finish</b>	BG01; BK02;

\* For custom options, consult factory for details.

\* For warranty information, please visit [www.kuzcolighting.com/warranty](http://www.kuzcolighting.com/warranty)

### DESCRIPTION

One of our best-selling designs is the retro-style Monae Collection. These decadent orb-shaped lamps are available in a striking black or dazzling brushed gold finish that plays well with modern and retro décor. Available in three different-sized pendants with 120" cables.



# KUZCO

CANADA: 19054 28TH AVENUE - SURREY, BC V3Z 6M3

USA: 3035 E. LONE MOUNTAIN ROAD - LAS VEGAS, NV 89081

[WWW.KUZCOLIGHTING.COM](http://WWW.KUZCOLIGHTING.COM)

© 2016 KUZCO LIGHTING. ALL RIGHTS RESERVED.

### COMMENT