

LED Lamp Wall Sconce

WS8432
INSTALLATION SHEET

START FROM HERE

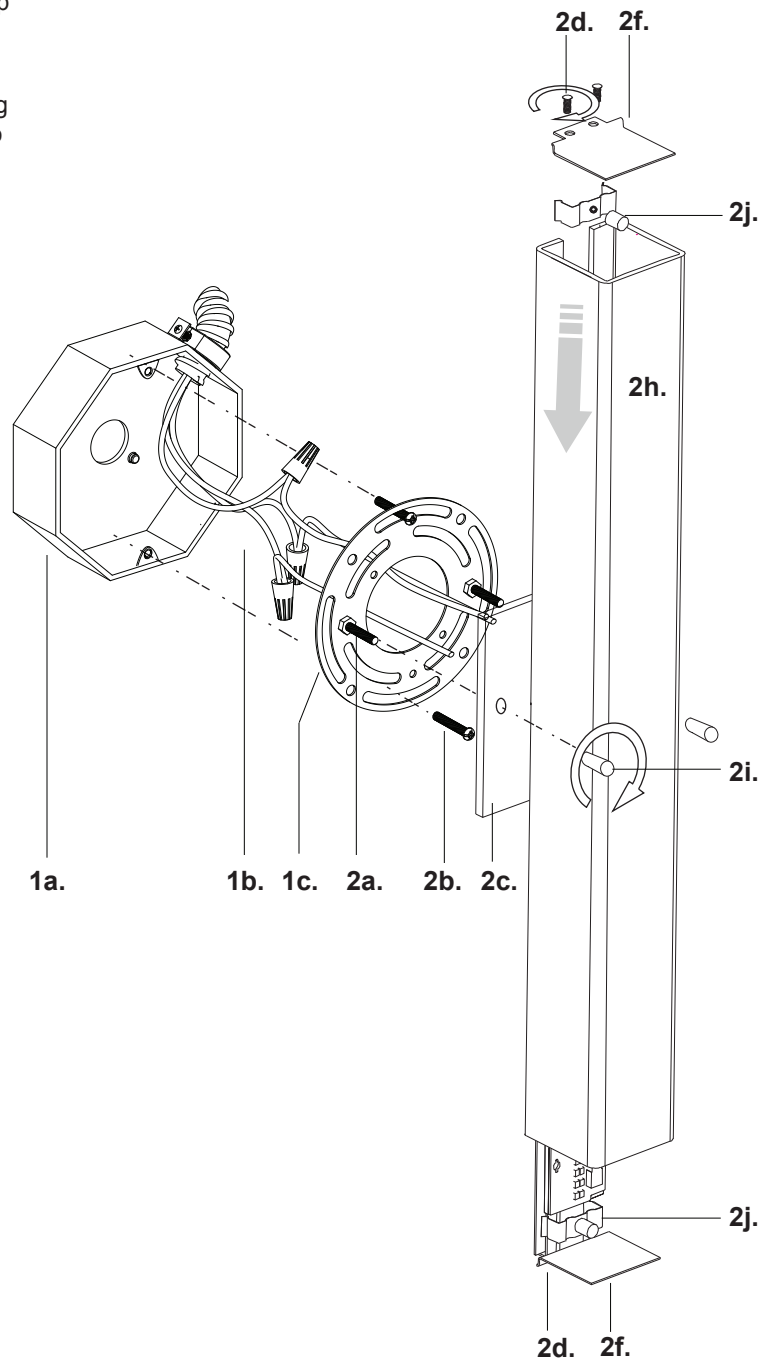
- Make sure power is completely off at the fuse box.
- Have your fixture installed by a qualified licensed electrician
- Prepare everything in a clear area.
- Wear gloves at all times during this installation.
- Read instructions carefully before you start assembly.
- Keep this instruction sheet for future reference.

Technical Support: 1-855-855-8926

Please Note:

- All Kuzco LED fixture comes with pre-wired LED module(s).
- Unless instructed to do so, please do not touch any part of the LED module(s) as any unnecessary contact with the module could cause permanent damage.
- For dimming, an ELV (Electronic Low Voltage) type of dimmer is required.

- 1.** Remove the fixture from its original packaging. Remove the mounting plate (1c) from within the canopy (2c) and attach it to the electrical junction box (1a), using the two screws (2b) provided in the hardware package. Remove all screws (2d) from both top and bottom cover plates this will free up the cover plates (2f). Loosen knurl screws (2j).
- 2.** Attach the canopy to mounting plate. First attach all wiring (1b) with the provided marrets (white to white "N", black to black "L", ground to ground "G"). Now align the screws (2a) with the canopy plate holes (2c) and secure with decorative nuts (2i) to the mounting plate (1c). Once this is complete slide diffuser (2h) onto the fixture and secure by tightening knurl screws (2j). Lastly, connect both cover plates (2f) with screws (2d) until secure.
- 3.** You have now completed the installation of your fixture, please enjoy.



KUZCO

19054 28th Avenue Surrey, BC Canada V3Z 6M3
T: 604 538 7162 TF: 1-855 85 KUZCO F: 604 538 7196
W: kuzcolighting.com
20200130