

LED Lamp Wall Sconce

WS8424
INSTALLATION SHEET

START FROM HERE

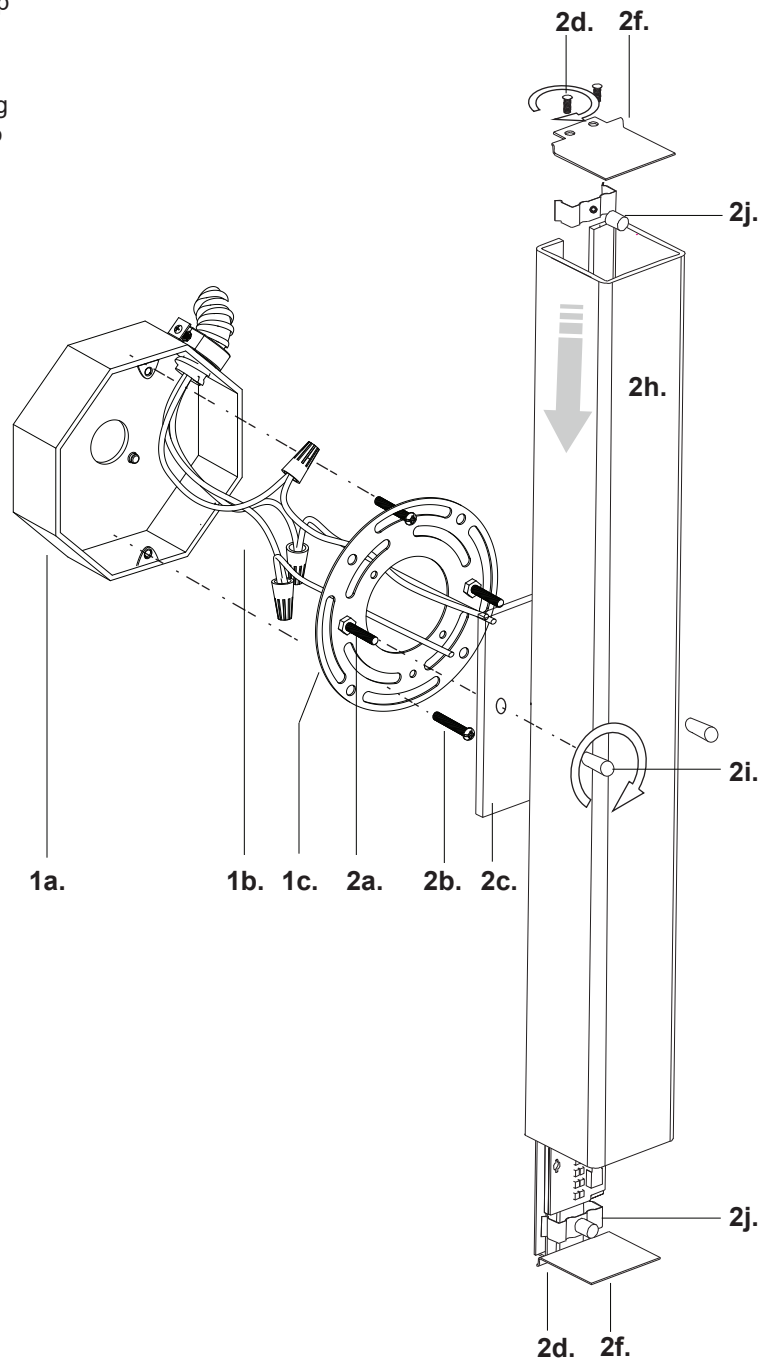
- Make sure **POWER** is **COMPLETELY OFF** at the fuse box
- Have your fixture installed by a qualified licensed electrician
- Prepare everything in a clear area
- Wear gloves at all time during this installation
- Read instructions carefully before you start assembly
- Keep this installation sheet for future reference

Technical Support: 1-855-855-8926

Please Note:

- All Kuzco LED fixtures come with pre-wired LED module(s).
- Unless instructed to do so, please do not touch any part of the LED module(s) as any unnecessary contact with the module could cause permanent damage.
- For dimming, an ELV (Electronic Low Voltage) type of dimmer is required.

- 1.** Remove the fixture from its original packaging. Remove the mounting plate (**1c**) from within the canopy (**2c**) and attach it to the electrical junction box (**1a**), using the two screws (**2b**) provided in the hardware package. Remove all screws (**2d**) from both top and bottom cover plates this will free up the cover plates (**2f**). Loosen knurl screws (**2j**).
- 2.** Attach the canopy to mounting plate. First attach all wiring (**1b**) with the provided marrets (white to white "N", black to black "L", ground to ground "G"). Now align the screws (**2a**) with the canopy plate holes (**2c**) and secure with decorative nuts (**2i**) to the mounting plate (**1c**). Once this is complete slide diffuser (**2h**) onto the fixture and secure by tightening knurl screws (**2j**). Lastly, connect both cover plates (**2f**) with screws (**2d**) until secure.
- 3.** You have now completed the installation of your fixture, please enjoy.



KUZCO

19054 28th Avenue Surrey, BC Canada V3Z 6M3
T: 604 538 7162 TF: 1-855 85 KUZCO F: 604 538 7196
W: kuzcolighting.com
20181127