

# Ceiling Canopy

# CNM13AC

INSTALLATION SHEET

## START FROM HERE

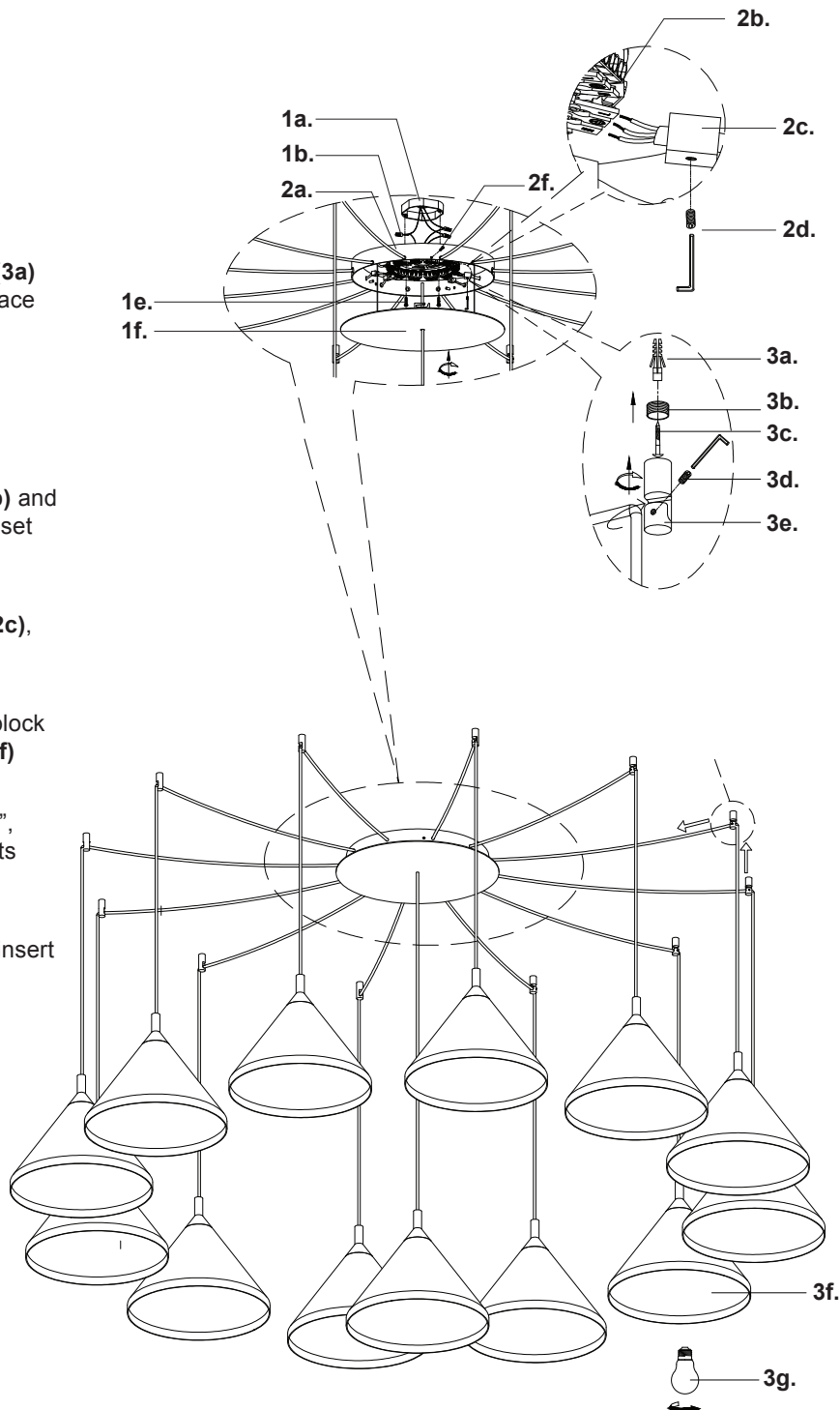
- Make sure **POWER** is **COMPLETELY OFF** at the fuse box
- Have your fixture installed by a qualified licensed electrician
- Prepare everything in a clear area
- Wear gloves at all time during this installation
- Read instructions carefully before you start assembly
- Keep this installation sheet for future reference

Technical Support: 1-855-855-8926

### Please Note:

- This Kuzco LED fixtures come with pre-wired LED module(s)
- Unless instructed, Do Not touch any part of the LED module(s) as any unnecessary contact with the module could cause permanent damage
- Dimming options depends on choice of pendants

1. Remove fixture from its original package
2. Remove cover (1f) from canopy (2a)
3. Attach canopy (2a) to electrical junction box (1a) using screws provided (1e) in hardware package
4. Determine desired shade location, secure anchor (3a) into ceiling and lock ceiling hook adapter (3b) in place with screw (3c)
5. Remove lamp shade (3f) from its original package, remove canopy attached from wire
6. Attach wire gripper (3e) to ceiling hook adapter (3b) and fine tune height of pendants and lock in place with set screw and allan key (3e)
7. Bring shade wires to canopy through strain relief (2c), secure with set screw and Allan key (2d)
8. Cut and strip excess wire, push lever on terminal block (2b), make electrical connection for lamp shade (3f)
9. Make proper electrical connections (black to hot "L", white to neutral "N", ground to "GND") with wire nuts (1b) provided in hardware package
10. Attach cover (1f) to canopy (2a) and if applicable, insert lamp (3g) into socket



# KUZCO

19054 28th Avenue Surrey, BC Canada V3Z 6M3  
T: 604 538 7162 TF: 1-855 85 KUZCO F: 604 538 7196  
W: kuzcolighting.com  
20200103