

Ceiling Canopy

CNL5AC
INSTALLATION SHEET

START FROM HERE

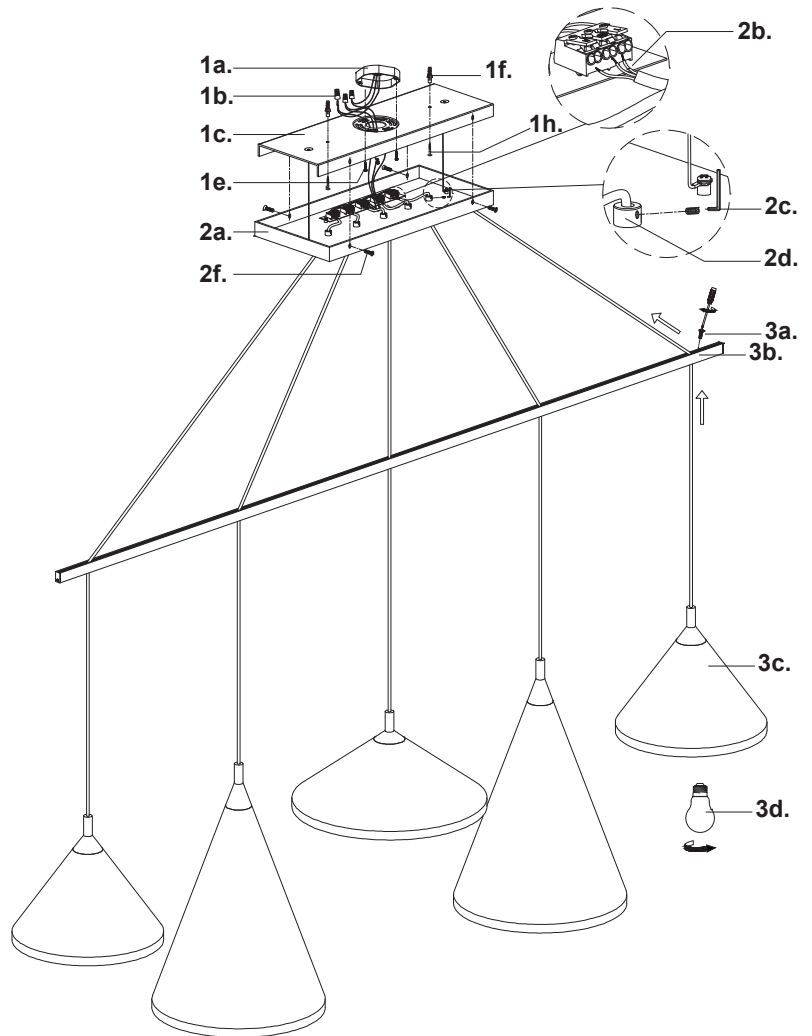
- Make sure **POWER** is **COMPLETELY OFF** at the fuse box
- Have your fixture installed by a qualified licensed electrician
- Prepare everything in a clear area
- Wear gloves at all time during this installation
- Read instructions carefully before you start assembly
- Keep this installation sheet for future reference

Technical Support: 1-855-855-8926

Please Note:

- Dimming options depends on choice of pendants

- 1.** Remove fixture from its original package
- 2.** Separate mounting plate (1c) from canopy (2a) by removing canopy screws (2f)
- 3.** Attach mounting plate (1c) to electrical junction box (1a) using screws provided (1e) in hardware package
- 4.** Secure mounting plate (1c) to mounting surface with additional anchors (1f) and screws (1h)
- 5.** Remove lamp shade (3c) from its original package, remove canopy attached from wire
- 6.** Bring lamp shade wires through hanging horizontal bar (3b) and into canopy through strain relief (2d), temporarily lock set screws (2c & 3a) to secure. Make proper electrical connections (black to hot "L", white to neutral "N", ground to "GND") with wire nuts (1b) provided in hardware package
- 7.** Adjust hanging height of lamp shades (3c) to the desired distance from the horizontal hanging bar (3b) and lock into place with set screws (3a). Adjust the height of the horizontal hanging bar (3b) to the desired distance from the canopy (2a) and lock into place with set screws (2c)
- 8.** Cut and strip excess wire. Push lever on the terminal block (2b) and make the electrical connections for the lamp shades (3c)
- 9.** Secure the canopy (2a) to the mounting plate (1c) using the canopy screws (2f). If applicable, insert lamp (3d) into the socket in lamp shade (3c)



KUZCO

19054 28th Avenue Surrey, BC Canada V3Z 6M3
T: 604 538 7162 TF: 1-855 85 KUZCO F: 604 538 7196
W: kuzcolighting.com
20200810