

**LENA**  
**PD21703**  
PENDANTS

PROJECT



PD21703-BN  
Brushed Nickel



PD21703-BK  
Black



PD21703-CH  
Chrome

**SPECIFICATION DETAILS**

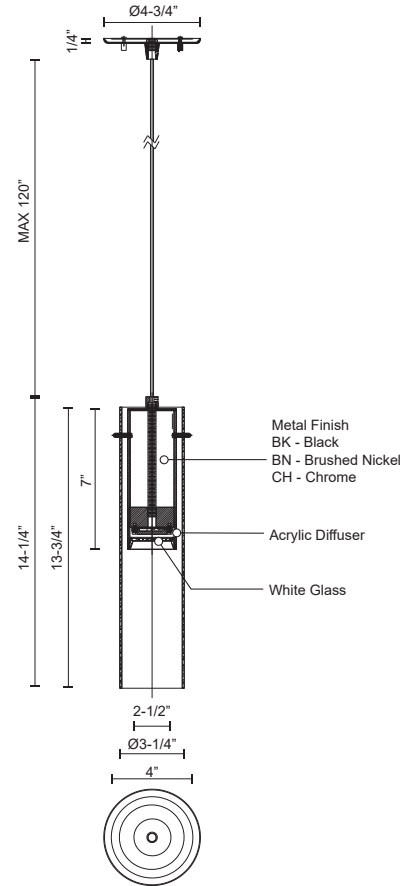
<b>Fixture Dimensions</b>	D3-1/4" x H14-1/4"
<b>Light Source</b>	AC LED Module
<b>Wattage</b>	9W
<b>Total Lumens</b>	600lm
<b>Delivered Lumens</b>	BK-211lm; BN-350lm*; CH-320lm;
<b>Voltage</b>	120V
<b>Color Temperature</b>	3000K
<b>CRI (Ra)</b>	90CRI
<b>Optional Color Temps</b>	2700K - 5000K Available, Minimum Order Quantities Apply
<b>LED Rated Life</b>	50,000 hours
<b>Dimming</b>	100% - 10%, ELV Dimmer (Not Included)
<b>Glass Details</b>	Clear Glass
<b>Adjustable</b>	Yes
<b>Wire Length</b>	120" Max
<b>Wire Type</b>	BK - Black SSL Wire; CH, WH - Clear SSL Wire;
<b>Sloped Ceiling Adaptable</b>	Yes
<b>Location</b>	Dry
<b>Canopy Dimensions</b>	D4-3/4" x H1/4"
<b>Minimum Hang Height</b>	18"
<b>CEC Title 24 JA8</b>	Yes, JA8-2022
<b>Paint Finish</b>	BK01; BN01; CH01;

\* For custom options, consult factory for details.

\* For warranty information, please visit [www.kuzcolighting.com/warranty](http://www.kuzcolighting.com/warranty)

**DESCRIPTION**

Clear glass cylindrical shade envelops tubular aluminum core. Brushed plated finishes or satin coating. Down light. Custom options available.



**KUZCO**

CANADA: 19054 28TH AVENUE - SURREY, BC V3Z 6M3  
USA: 3035 E. LONE MOUNTAIN ROAD - LAS VEGAS, NV 89081

[WWW.KUZCOLIGHTING.COM](http://WWW.KUZCOLIGHTING.COM)

© 2019 KUZCO LIGHTING. ALL RIGHTS RESERVED.

**COMMENT**

