

# Exterior LED Lamp Wall Sconce

**EW60312**  
INSTALLATION SHEET

## START FROM HERE

- Make sure **POWER** is **COMPLETELY OFF** at the fuse box
- Have your fixture installed by a qualified licensed electrician
- Prepare everything in a clear area
- Wear gloves at all time during this installation
- Read instructions carefully before you start assembly
- Keep this installation sheet for future reference

### Please Note:

- All Kuzco LED fixtures come with pre-wired LED module(s).
- Unless instructed to do so, please do not touch any part of the LED module(s) as any unnecessary contact with the module could cause permanent damage.
- For dimming, an ELV (Electronic Low Voltage) type of dimmer is required.

**Technical Support:** 1-855-855-8926

- 1.** Remove the fixture from its original packaging. Remove the mounting plate **(1c)** from within the canopy **(2a)** and attach it to the electrical junction box **(1a)**, using the two screws **(1e)** provided in the hardware package.
- 2.** Attach the canopy backplate **(2a)** to the mounting plate **(1c)**, which is attached to the electrical junction box **(1a)** on the wall. First attach all wiring **(1b)** with the provided marrets (white to white "N", black to black "L", ground to ground "G"). Now direct the canopy backplate **(2a)** onto the mounting plate **(1c)** be sure to line up the mounting plate screws **(1d)** with with the canopy backplate holes. With the canopy backplate seated on the mounting plate, secure with the two nuts **(2b)**. Next, place the canopy **(2d)** onto the canopy backplate and secure with all four set screws **(2c)** turning clockwise.
- 3.** To prevent moisture from entering the outlet box and causing a short, seal around the top and side perimeter between the fixture and the wall surface with weather resistant caulking (see illustration 3). The space at bottom should be left un-caulked to prevent moisture build-up.
- 4.** You have now completed the installation of your fixture, enjoy.

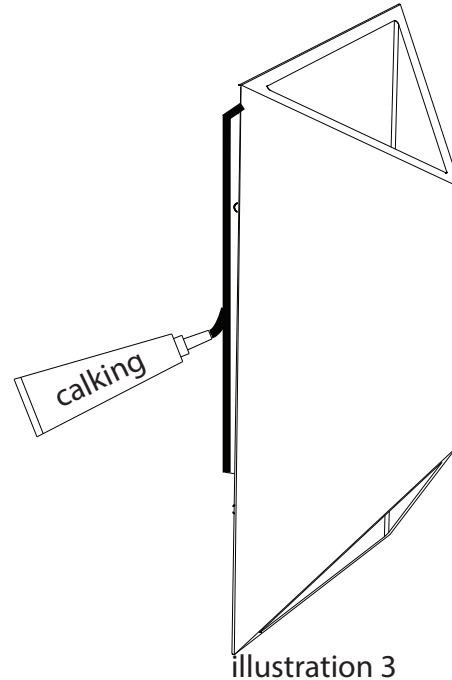
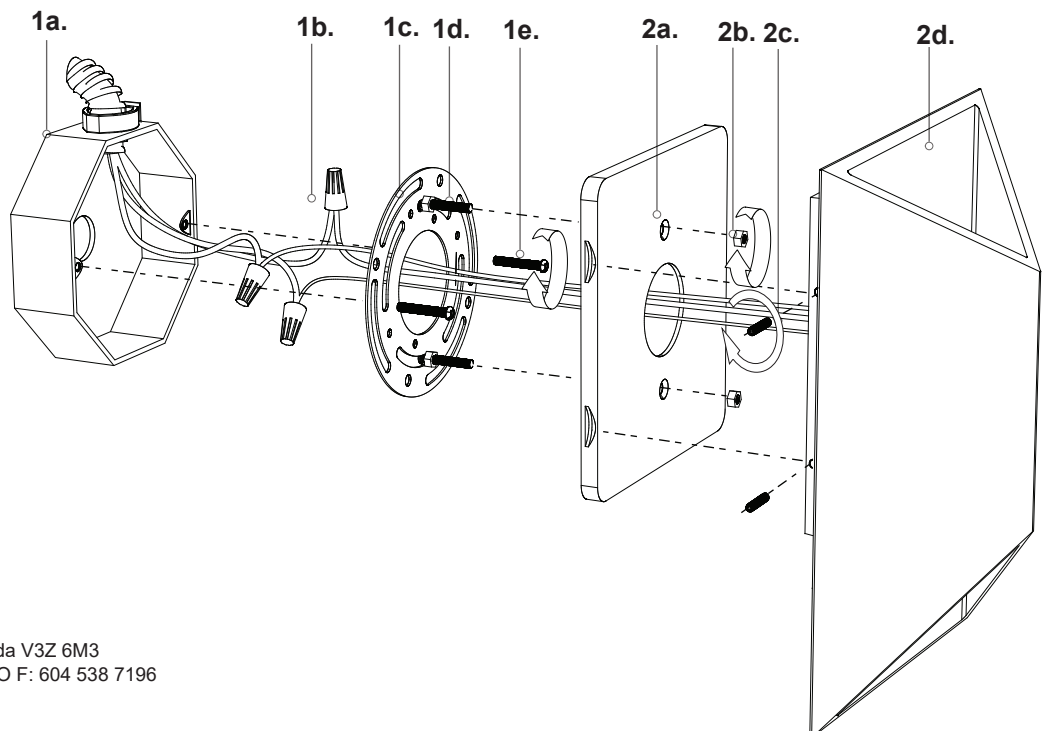


illustration 3



**KUZCO**

19054 28th Avenue Surrey, BC Canada V3Z 6M3  
T: 604 538 7162 TF: 1-855 85 KUZCO F: 604 538 7196  
W: kuzcolighting.com  
20181127