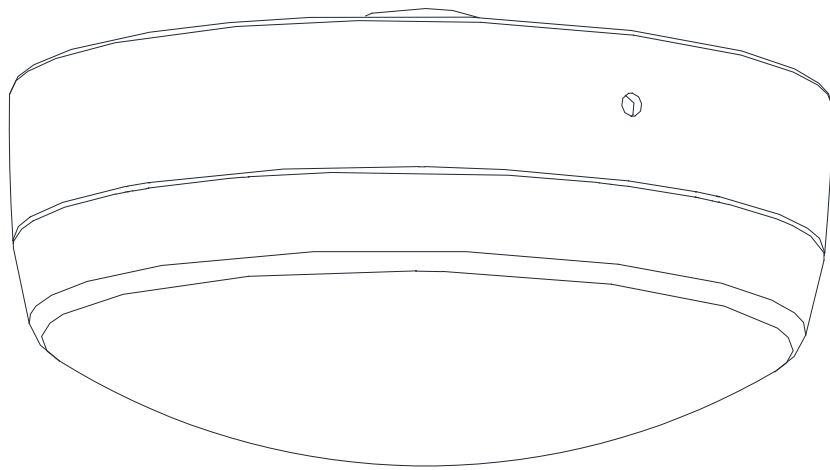


KUZCO

LIGHT KIT INSTRUCTION SHEET



MODEL X-LK-929

TF. 1.855.855.8926 | T. 604 538 7162 | F. 604 538 7196

CANADA: 19054 28th Ave., - Surrey, BC V3Z 6M3

USA: 3035 E. Lone Mountain Rd. - Las Vegas, NV 89081

www.kuzcolighting.com

20230505

SAFETY INFORMATION

1. To reduce the risk of electric shock, ensure electricity has been turned off at the circuit breaker or fuse box before beginning.
2. All wiring must be in accordance with the National Electrical Code and local electrical codes. Electrical installation should be performed by a qualified licensed electrician.
3. **CAUTION:** Read all instructions and safety information before installing your new light kit. Review accompanying assembly diagrams.
4. **CAUTION:** To reduce the risk of electrical shock, this light should be used only with the fan models listed below:
Model(s): CF92952
5. **NOTE:** Suitable for use in wet locations when installed in a GFCI protected branch circuit. Use only with light kits marked "suitable for use in wet locations".

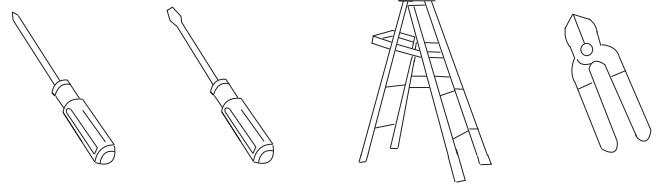
READ AND SAVE THESE INSTRUCTIONS.

PACKAGE CONTENTS

- Safety
- Tools Needed
- Package Contents
- Hardware Included
- Light Kit Installation

TOOLS NEEDED

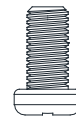
- Phillips screwdriver
- Flathead screwdriver
- Step ladder
- Wire cutter



HARDWARE INCLUDED

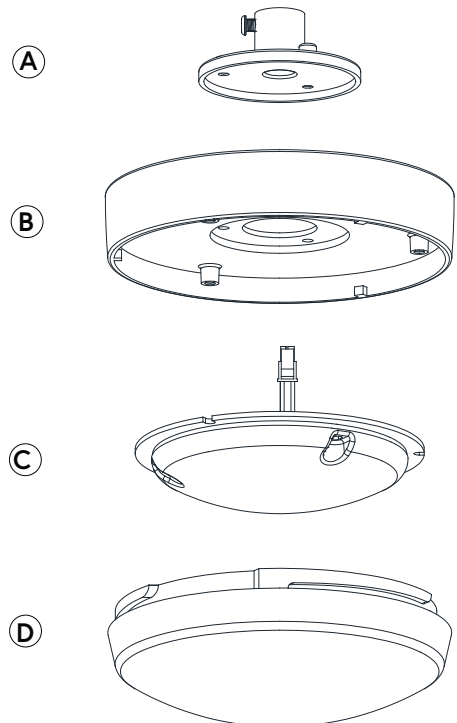
- Light Kit Mounting Hardware
 - Screws (1a)

1a.
x7



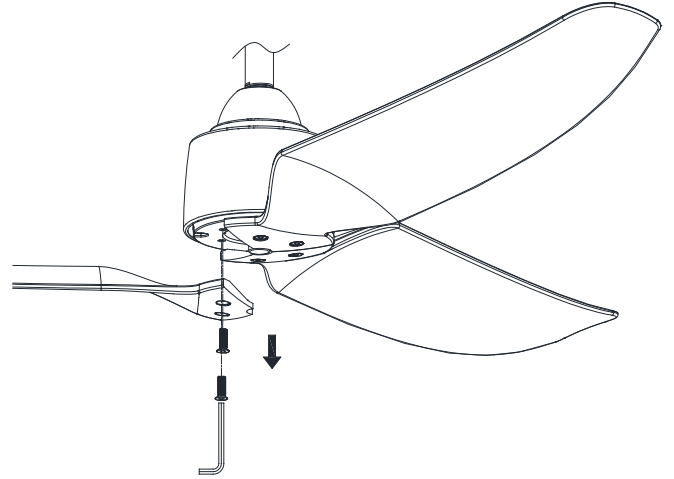
PACKAGE CONTENTS

Part	Description	QTY
A	Supporting plate	1
B	Light kit pan	1
C	Light kit assembly	1
D	Shade	1



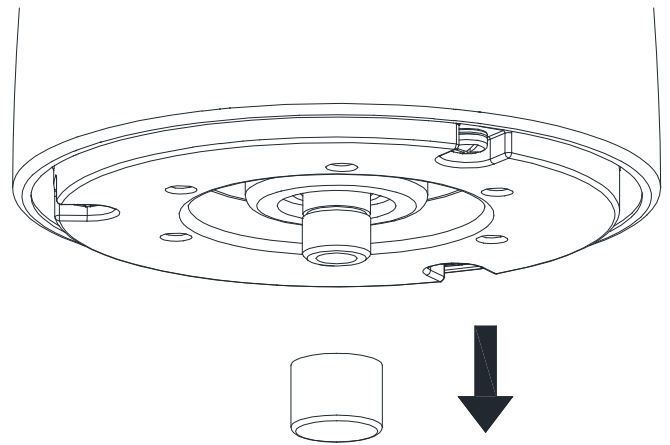
REMOVING THE BLADES

1. Remove the blade from the fan motor assembly by removing the blade attachment screws with a hex tool.
2. Repeat this step for the remaining blades.



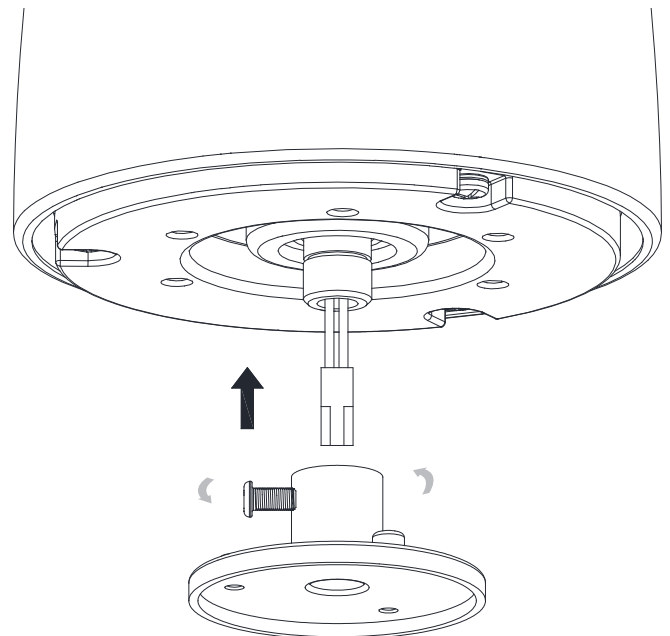
REMOVING THE

1. Remove the rubber cover and pull the wires from the hole.



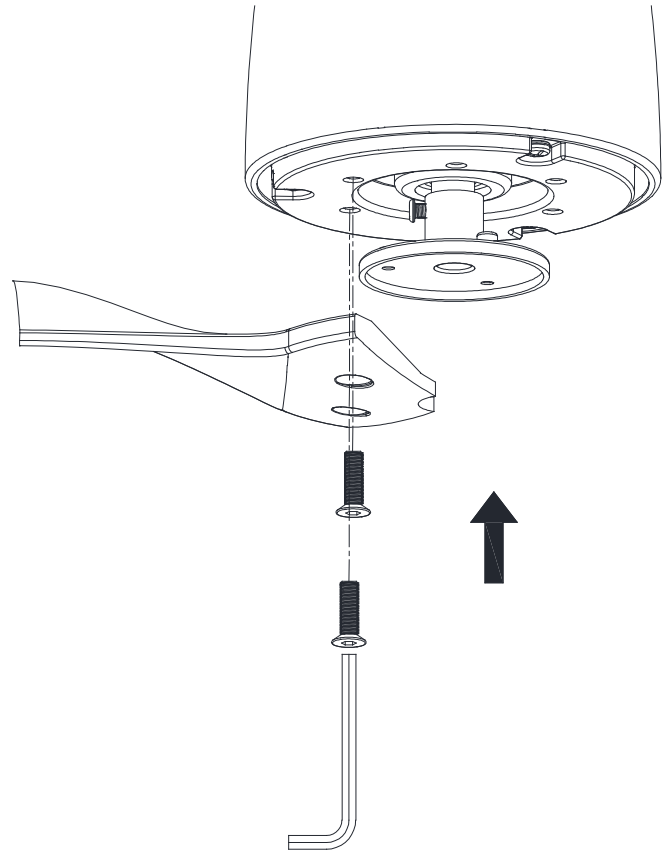
ATTACHING THE

1. Loosen the screw from the supporting plate, then rotate the supporting plate into the post.
2. Re-tightening screw.



INSTALLING THE BLADES

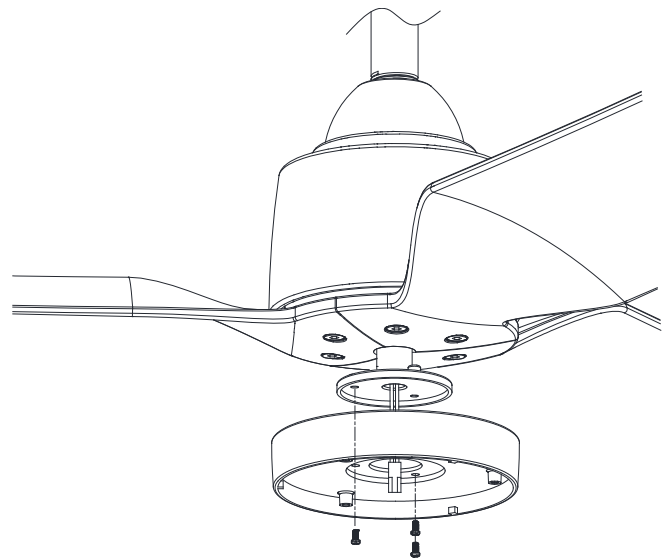
1. Fasten the blade to the fan motor assembly by aligning the three holes of blade and the three holes of bottom of the motor and securing with blade attachment screws.
2. Make sure all the blade attachment screws are firmly tightened using provided hex tool.
3. Repeat this step for the remaining blades.



INSTALLING THE LIGHT KIT PAN

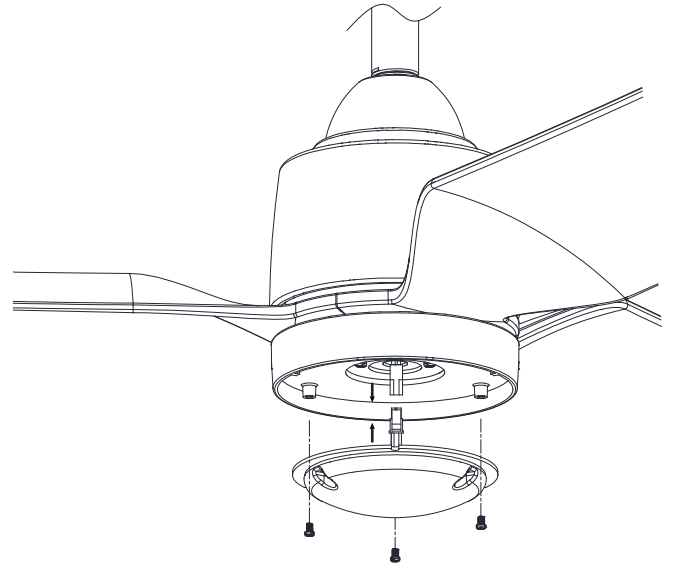
CAUTION: To reduce the risk of electrical shock, disconnect the electrical supply circuit to the fan before installing the light kit.

1. Push the light kit pan up to the supporting plate, then fit into the keyhole slots and install the screws (provided in the hardware).



INSTALLING THE LIGHT KIT ASSEMBLY

1. Connect the wires from the light kit fitter assembly to the wires from the fan motor assembly by connecting the molded adaptor plugs together. Carefully tuck all wires and splices into the switch cap.
2. Push the light kit assembly up then fit into the keyhole slots, and install the screws (provided in the hardware).



INSTALLING THE SHADE

1. Place the shade into the light kit pan, aligning the three flat areas on the top of the shade with the three raised dimples in the light kit pan. Turn the shade until it stops.

