

Ceiling LED Pendant

PD47603
INSTALLATION SHEET

START FROM HERE

- Make sure **POWER** is **COMPLETELY OFF** at the fuse box
- Have your fixture installed by a qualified licensed electrician
- Prepare everything in a clear area
- Wear gloves at all times during this installation
- Read instructions carefully before you start assembly
- Keep this installation sheet for future reference

Please Note:

- This Kuzco LED fixture comes with pre-wired LED module(s)
- Unless instructed, Do Not touch any part of the LED module(s) as any unnecessary contact with the module could cause permanent damage
- Motion sensor: On/Off/Dimming
- 120V input

Technical Support: 1-855-855-8926

1. Remove fixture from its original package
2. Separate mounting plate (1c) from canopy (2a) by removing canopy screws (2f) with allen key
3. Make proper electrical connections (black to hot "L", white to neutral "N", ground to "GND") with wire nuts (1b) provided in hardware package
4. Attach mounting plate (1c) to electrical junction box (1a) using screws provided (1e) in hardware package
5. Secure rods together (see Illustration 1 for rod arrangements) and attach to swivel assembly (2g)
6. Attach lamp head (3c) to rod
7. Attach canopy (2a) to mounting plate (1c) with canopy screws (2f)

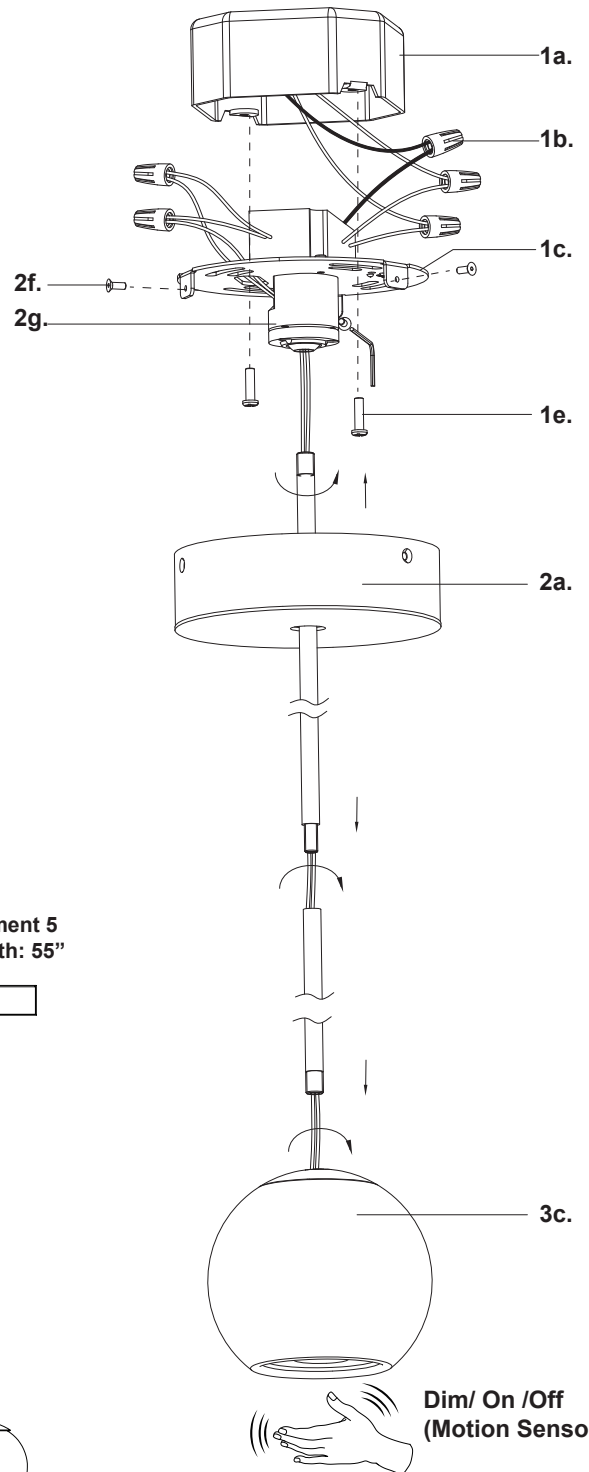
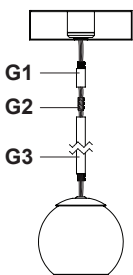


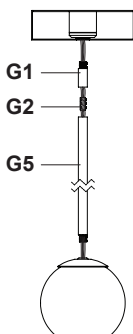
ILLUSTRATION 1

	G1	G2	G3	G4	G5
QUANTITY	1	2	1	1	1

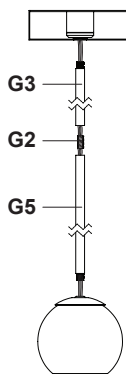
Arrangement 1
Rod Length: 11"



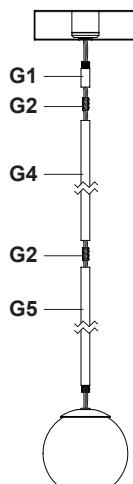
Arrangement 2
Rod Length: 23"



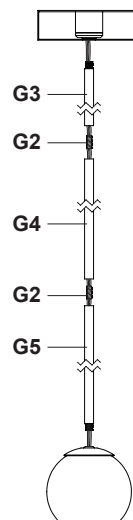
Arrangement 3
Rod Length: 33"



Arrangement 4
Rod Length: 45"



Arrangement 5
Rod Length: 55"



KUZCO

19054 28th Avenue Surrey, BC Canada V3Z 6M3
T: 604 538 7162 TF: 1-855 85 KUZCO F: 604 538 7196
W: kuzcolighting.com
20210629

Dim/ On /Off
(Motion Sensor)