

Round LED Wall Sconce

601484-LED

INSTALLATION SHEET

START FROM HERE

- Make sure power is completely off at the fuse box.
- Have your fixture installed by a qualified licensed electrician
- Prepare everything in a clear area.
- Wear gloves at all times during this installation.
- Read instructions carefully before you start assembly.
- Keep this instruction sheet for future reference.

Please Note:

- This Kuzco LED fixture comes with pre-wired LED module(s)
- Unless instructed, Do Not touch any part of the LED module(s) as any unnecessary contact with the module could cause permanent damage
- Use ELV (Electronic Low Voltage) type of dimmer for dimming application
- 120V input

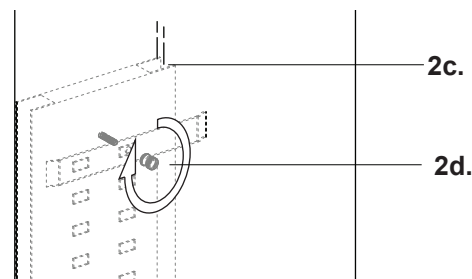
Technical Support: 1-855-855-8926

1. Remove the fixture from its original packaging. Separate mounting plate (1c) from canopy (2f) by removing canopy screws (2g). Attach mounting plate (1c) to electrical junction box (1a) using junction box screws (1e) provided in hardware package

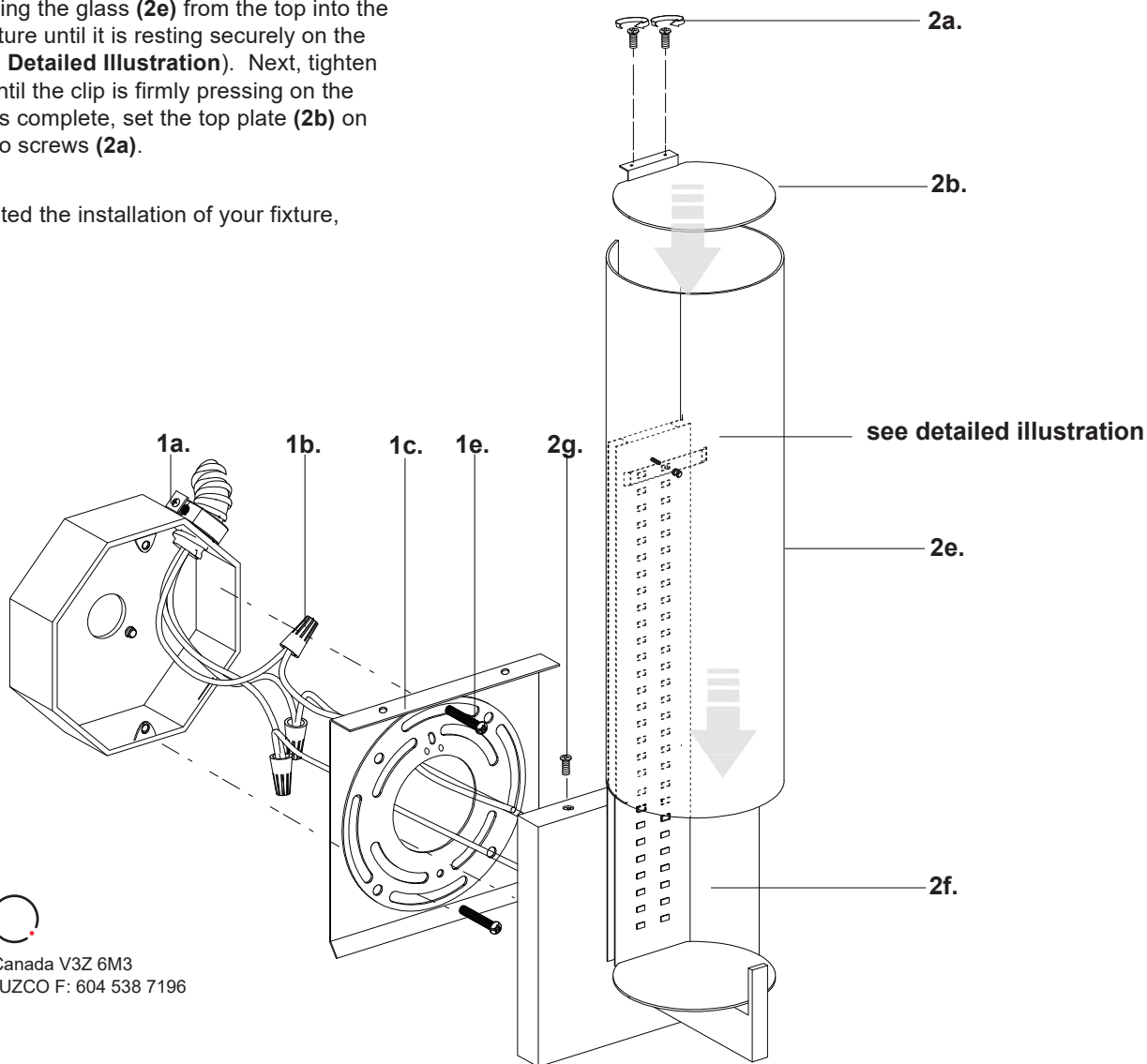
2. Make proper electrical connections (black to hot "L", white to neutral "N", ground to "GND") with wire nuts (1b) provided in hardware package. Attach canopy (2f) to mounting plate (1c) with canopy screws (2g).

3. Install the fixture glass to the fixture. The fixture glass is installed by gently sliding the glass (2e) from the top into the channel (2c) of the fixture until it is resting securely on the bottom metal bar (see Detailed Illustration). Next, tighten the knurled nut (2d) until the clip is firmly pressing on the glass (2e). Once this is complete, set the top plate (2b) on top and fasten with two screws (2a).

4. You have now completed the installation of your fixture, please enjoy.



Detailed Illustration



KUZCO

19054 28th Avenue Surrey, BC Canada V3Z 6M3
T: 604 538 7162 TF: 1-855 85 KUZCO F: 604 538 7196
W: kuzcolighting.com
20230417