

# CROFT FM44614

JUNE 2022 PRODUCTS

PROJECT



FM44614-BK/WH  
Black/White

## SPECIFICATION DETAILS

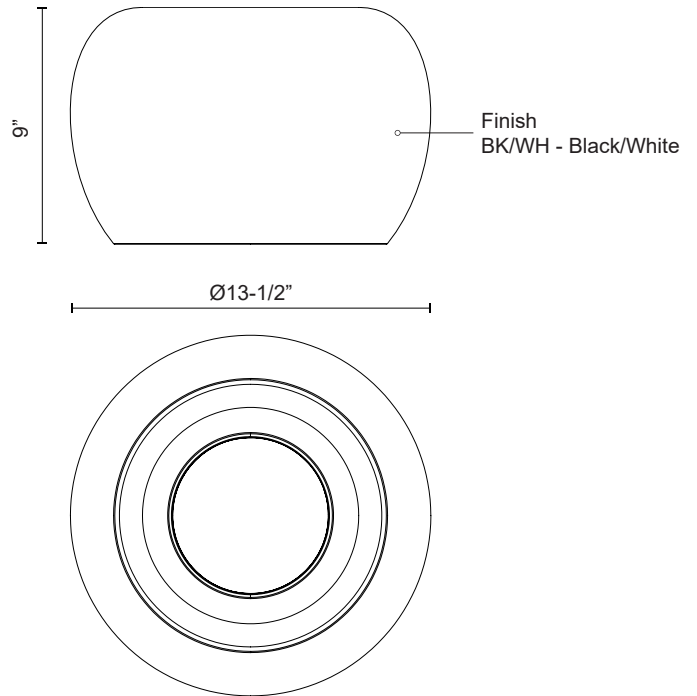
<b>Fixture Dimensions</b>	D13-1/2" x H9"
<b>Light Source</b>	AC LED Module
<b>Wattage</b>	17W
<b>Total Lumens</b>	1280lm
<b>Delivered Lumens</b>	604lm
<b>Voltage</b>	120V
<b>Color Temperature</b>	3000K
<b>CRI (Ra)</b>	90CRI
<b>Optional Color Temps</b>	2700K - 5000K Available, Minimum Order Quantities Apply
<b>LED Rated Life</b>	50,000 hours
<b>Dimming</b>	100% - 10%, ELV Dimmer (Not Included)
<b>Diffuser Details</b>	Acrylic diffuser
<b>Location</b>	Dry
<b>CEC Title 24 JA8</b>	Yes, JA8-2022
<b>Paint Finish</b>	BK02; WH01;

\* For custom options, consult factory for details.

\* For warranty information, please visit [www.kuzcolighting.com/warranty](http://www.kuzcolighting.com/warranty)

## DESCRIPTION

The Croft is inspired by the fluid form of pottery. With a forged metal body and ample illumination, this collection is the perfect addition to any size space. Available in a trendy duo-toned Matte Black (outside) and White (inside).



# KUZCO

CANADA: 19054 28TH AVENUE - SURREY, BC V3Z 6M3

USA: 3035 E. LONE MOUNTAIN ROAD - LAS VEGAS, NV 89081

[WWW.KUZCOLIGHTING.COM](http://WWW.KUZCOLIGHTING.COM)

© 2022 KUZCO LIGHTING. ALL RIGHTS RESERVED.

## COMMENT

