



ADP001BN Brushed Nickel ADP001BZ Bronze ADP001BG Brushed Gold ADP001BK Black ADP001CH Chrome

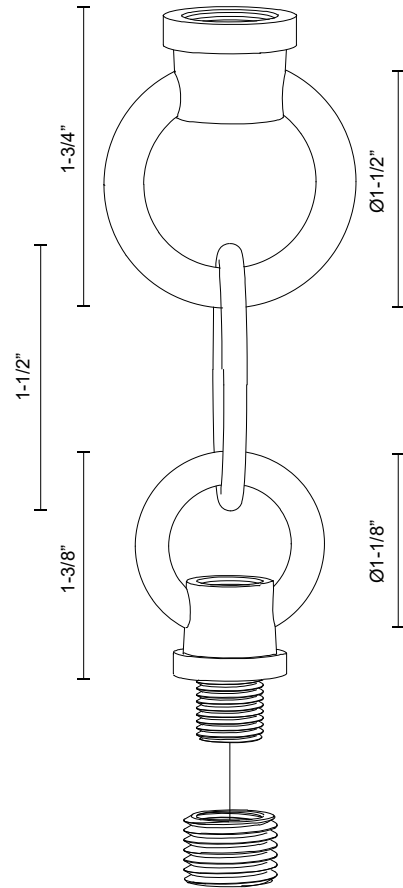
SPECIFICATION DETAILS

Fixture Dimensions	W1-1/2" x D3/4" x H4"
Location	Dry
Paint Finish	BG01; BK01; BN01; BZ01; CH01;

* For custom options, consult factory for details.
* For warranty information, please visit www.kuzcolighting.com/warranty

DESCRIPTION

Electro-plated or powder coated aluminum, brass and steel. Available in five finishes.



COMMENT