

# CAMEO 401431-LED

## PENDANTS

PROJECT



401431BK-LED  
Black



401431BN-LED  
Brushed Nickel



401431CH-LED  
Chrome



401431WH-LED  
White

### SPECIFICATION DETAILS

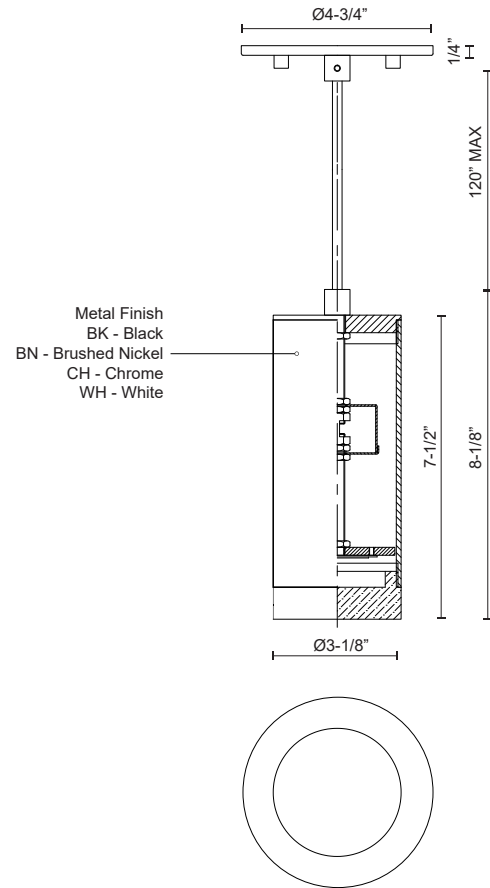
<b>Fixture Dimensions</b>	D3-1/8" x H7-1/2"
<b>Light Source</b>	AC LED Module
<b>Wattage</b>	9W
<b>Total Lumens</b>	600lm
<b>Delivered Lumens</b>	CH-388lm
<b>Voltage</b>	120V
<b>Color Temperature</b>	3000K
<b>CRI (Ra)</b>	90CRI
<b>Optional Color Temps</b>	2700K - 5000K Available, Minimum Order Quantities Apply
<b>LED Rated Life</b>	50,000 hours
<b>Dimming</b>	100% - 10%, ELV Dimmer (Not Included)
<b>Diffuser Details</b>	Frosted acrylic diffuser
<b>Adjustable</b>	Yes
<b>Wire Length</b>	120" Max
<b>Wire Type</b>	Clear SVT Cord
<b>Minimum Hang Height</b>	10"
<b>Sloped Ceiling Adaptable</b>	Yes
<b>Location</b>	Dry
<b>CEC Title 24 JA8</b>	Yes, JA8-2022
<b>Canopy Dimensions</b>	D4-3/4" x H1/4"
<b>Paint Finish</b>	BK01; BN01; CH01; WH01;

\* For custom options, consult factory for details.

\* For warranty information, please visit [www.kuzcolighting.com/warranty](http://www.kuzcolighting.com/warranty)

### DESCRIPTION

Single LED cylinder shaped pendant with clear crystal disc. Equipped with our powerful 120V AC LED technology, with metal details in white, black, brushed nickel or chrome finish. Round canopy matches the selected finish.



# KUZCO

CANADA: 19054 28TH AVENUE - SURREY, BC V3Z 6M3

USA: 3035 E. LONE MOUNTAIN ROAD - LAS VEGAS, NV 89081

[WWW.KUZCOLIGHTING.COM](http://WWW.KUZCOLIGHTING.COM)

© 2010 KUZCO LIGHTING. ALL RIGHTS RESERVED.

### COMMENT

