

**BROOK**  
**FM43315**  
 FLUSH MOUNT

PROJECT



FM43315-WH  
White



FM43315-BK  
Black



FM43315-CH  
Chrome

**SPECIFICATION DETAILS**

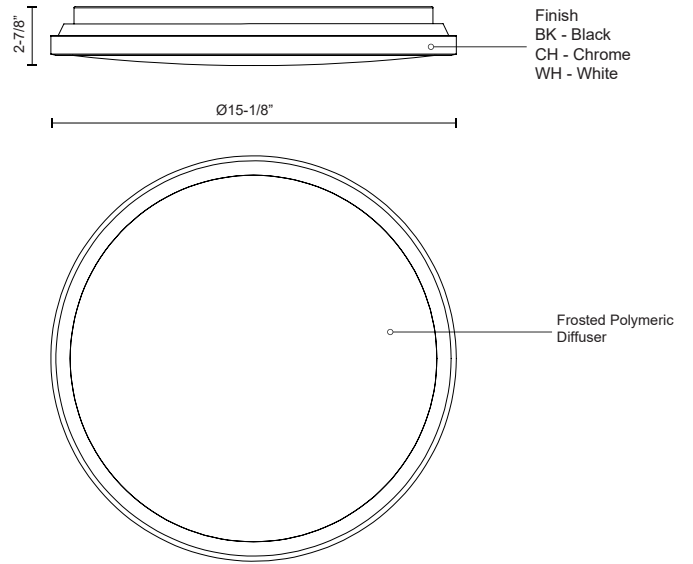
<b>Fixture Dimensions</b>	D15-1/8" x H2-7/8"
<b>Light Source</b>	AC LED Module
<b>Wattage</b>	32W
<b>Total Lumens</b>	2550lm
<b>Delivered Lumens</b>	CH-1540lm
<b>Voltage</b>	120V
<b>Color Temperature</b>	3000K
<b>CRI (Ra)</b>	90CRI
<b>Optional Color Temps</b>	2700K - 5000K Available, Minimum Order Quantities Apply
<b>LED Rated Life</b>	50,000 hours
<b>Dimming</b>	100% - 10%, ELV Dimmer (Not Included)
<b>Diffuser Details</b>	Frosted acrylic diffuser
<b>Location</b>	Dry
<b>Mounting Style</b>	All Orientation; Ceiling and Wall;
<b>CEC Title 24 JA8</b>	Yes, JA8-2022
<b>Energy Star Certified</b>	CH - Energy Star Compliant
<b>Paint Finish</b>	BK01; CH01; WH01;

\* For custom options, consult factory for details.

\* For warranty information, please visit [www.kuzcolighting.com/warranty](http://www.kuzcolighting.com/warranty)

**DESCRIPTION**

Circular steel base with polymeric body, frosted acrylic lens. Available in chrome, black or white finish.



**KUZCO**

CANADA: 19054 28TH AVENUE - SURREY, BC V3Z 6M3  
 USA: 3035 E. LONE MOUNTAIN ROAD - LAS VEGAS, NV 89081

[WWW.KUZCOLIGHTING.COM](http://WWW.KUZCOLIGHTING.COM)

© 2020 KUZCO LIGHTING. ALL RIGHTS RESERVED.

**COMMENT**

