

BRISTOL
ER9420-CBOX
STEP LIGHTS

PROJECT



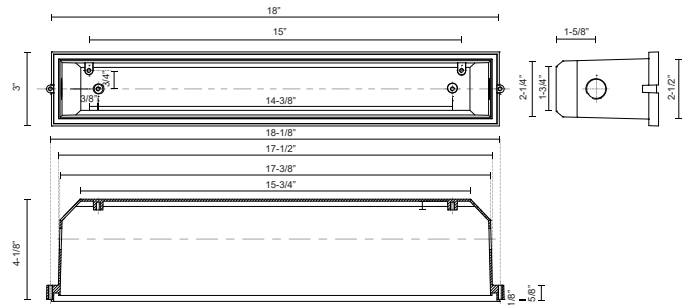
DESCRIPTION

Die cast wet location back box compatible with the ER7120 and ER9420.

SPECIFICATION DETAILS

Fixture Dimensions	W18" x H3" x E4-1/8"
Location	Wet

* For custom options, consult factory for details.
 * For warranty information, please visit www.kuzcolighting.com/warranty



KUZCO

CANADA: 19054 28TH AVENUE - SURREY, BC V3Z 6M3
 USA: 3035 E. LONE MOUNTAIN ROAD - LAS VEGAS, NV 89081

WWW.KUZCOLIGHTING.COM

© 2017 KUZCO LIGHTING. ALL RIGHTS RESERVED.

COMMENT

