

**BRIDGEWATER
70233
VANITY**

PROJECT



70233BN
Brushed Nickel



70233CH
Chrome

SPECIFICATION DETAILS

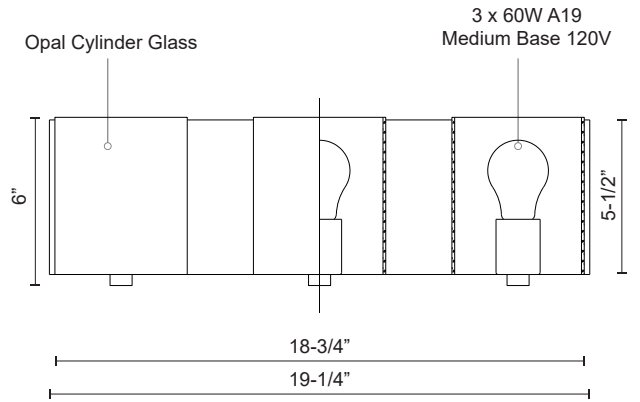
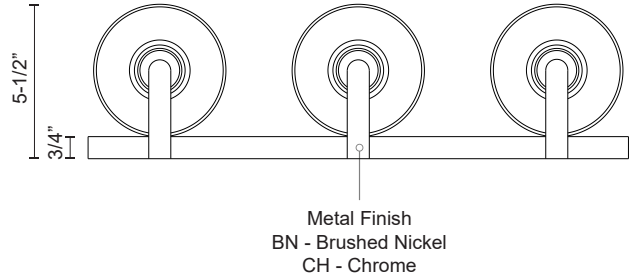
Fixture Dimensions	W18-3/4" x H6" x E5-1/2"
Lamp Type	Incandescent, A19, Medium Base
Wattage	3 x 60W
Voltage	120V
Glass Details	Opal Glass
Location	Damp
Bulbs Included	No
Canopy Dimensions	W19-1/4" x H5-1/2" x E3/4"
Paint Finish	BN01; CH01;

* For custom options, consult factory for details.

* For warranty information, please visit www.kuzcolighting.com/warranty

DESCRIPTION

Three lamp vanity with white opal cylinder glass with your choice of brushed nickel or chrome metal details.



KUZCO

CANADA: 19054 28TH AVENUE - SURREY, BC V3Z 6M3
USA: 3035 E. LONE MOUNTAIN ROAD - LAS VEGAS, NV 89081

WWW.KUZCOLIGHTING.COM

© 2010 KUZCO LIGHTING. ALL RIGHTS RESERVED.

COMMENT

