

**HURON  
FL95150  
LAMPS**

PROJECT

**DESCRIPTION**

Steel base with die-cast aluminum body, acrylic frosted tube, matte powder-coated or plated finish



FL95150-CH  
Chrome



FL95150-BK  
Black

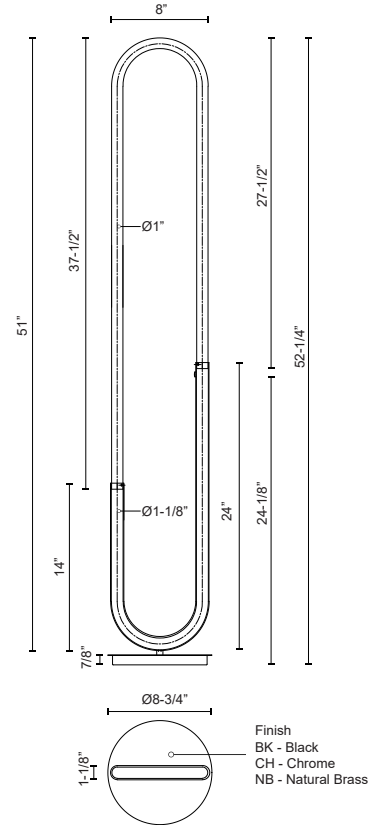


FL95150-NB  
Natural Brass

**SPECIFICATION DETAILS**

\* For custom options, consult factory for details.

<b>Fixture Dimensions</b>	D8-3/4" x H52-1/4"
<b>Light Source</b>	LED with DC Driver
<b>Wattage</b>	21W
<b>Total Lumens</b>	1785lm
<b>Delivered Lumens</b>	1155lm*
<b>Voltage</b>	120V
<b>Color Temperature</b>	3000K
<b>CRI (Ra)</b>	90CRI
<b>Optional Color Temps</b>	2700K - 5000K Available, Minimum Order Quantities Apply
<b>LED Rated Life</b>	50,000 hours
<b>Dimming</b>	100% - 10%, Touch dimmer
<b>Diffuser Details</b>	Frosted Acrylic
<b>Location</b>	Dry
<b>Warranty</b>	5 Years



**KUZCO**

19054 28TH AVENUE  
SURREY - BC V3Z 6M3  
CANADA

WWW.KUZCOLIGHTING.COM

COMMENT

