

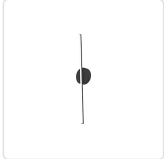
# CHUTE WS14935

WALL

PROJECT

## DESCRIPTION

Extruded aluminum cylinder with welded capped ends. Circular wall mount. Finely textured powder-coat finish. Rounded opal silicon diffuser. Outward emitting light. Custom options available.



WS14935-BK  
Black

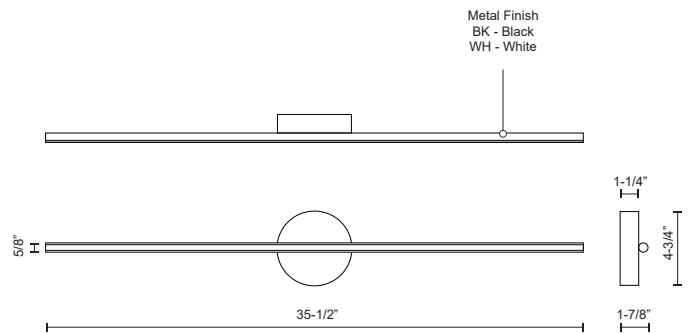


WS14935-WH  
White

## SPECIFICATION DETAILS

\* For custom options, consult factory for details.

<b>Fixture Dimensions</b>	W35-1/2" x H4-3/4" x E1-7/8"
<b>Light Source</b>	LED with DC Driver
<b>Wattage</b>	16W
<b>Total Lumens</b>	1355lm
<b>Delivered Lumens</b>	BK-784lm; WH-958lm;
<b>Voltage</b>	120V
<b>Color Temperature</b>	3000K
<b>CRI (Ra)</b>	90CRI
<b>Optional Color Temps</b>	2700K - 5000K Available, Minimum Order Quantities Apply
<b>LED Rated Life</b>	50,000 hours
<b>Dimming</b>	100% - 10%, TRIAC or ELV Dimmer (Not Included)
<b>Diffuser Details</b>	White Acrylic Diffuser
<b>Location</b>	Dry
<b>Illumination Direction</b>	Fontlight Illumination
<b>Mounting Style</b>	All Orientation; Wall;
<b>Warranty</b>	5 Years
<b>ADA Compliant</b>	Yes
<b>Canopy Dimensions</b>	D4-3/4" x E1-1/4"



# KUZCO

19054 28TH AVENUE  
SURREY - BC V3Z 6M3  
CANADA

WWW.KUZCOLIGHTING.COM

COMMENT