

BOLLA CH3117

JAN 2024 PRODUCTS

PROJECT



CH3117-OP
Opal Glass



CH3117-CL
Clear Glass

SPECIFICATION DETAILS

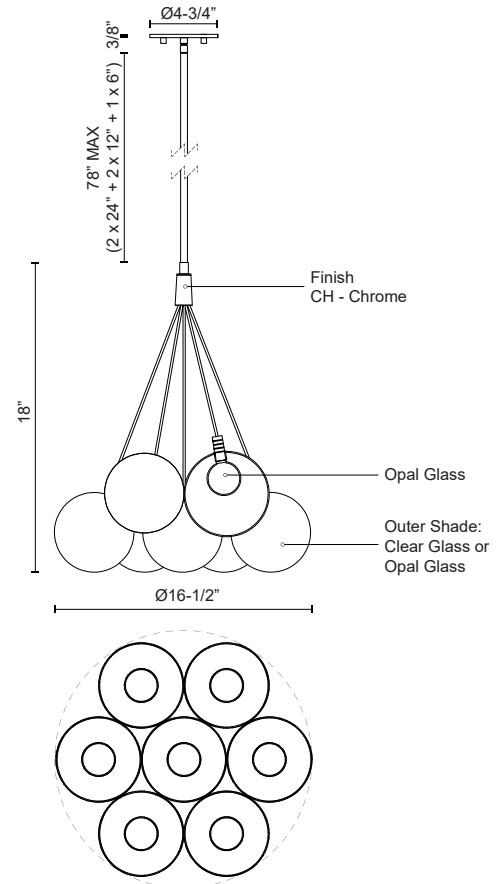
Fixture Dimensions	D16-1/2" x H18"
Light Source	AC LED Module
Wattage	20W
Total Lumens	1540lm
Delivered Lumens	CL-1225lm; OP-1000lm*;
Voltage	120V
Color Temperature	3000K
CRI (Ra)	90CRI
Optional Color Temps	2700K - 5000K Available, Minimum Order Quantities Apply
LED Rated Life	50,000 hours
Dimming	100% - 10%, ELV Dimmer (Not Included)
Shade Details	Clear Glass or Opal Glass
Glass Details	Opal Glass
Adjustable	Yes
Rod Length	78" Max (2x24" + 2x12" + 1x6")
Sloped Ceiling Adaptable	No
Minimum Hang Height	26"
Wire Length	90"
Location	Dry
Canopy Dimensions	D4-3/4" x H3/8"
Paint Finish	CH01

* For custom options, consult factory for details.

* For warranty information, please visit www.kuzcolighting.com/warranty

DESCRIPTION

Produced in an array of configurations, the Bolla series is defined by the iconic double-wall glass globes. A frosted globe is perched within a transparent orb producing diffuser light from the satin aluminum LED socket. While elegant as a single pendant, the optional clustered bouquet creates a stunning impact.



KUZCO

CANADA: 19054 28TH AVENUE - SURREY, BC V3Z 6M3

USA: 3035 E. LONE MOUNTAIN ROAD - LAS VEGAS, NV 89081

WWW.KUZCOLIGHTING.COM

© 2016 KUZCO LIGHTING. ALL RIGHTS RESERVED.

COMMENT