



Desk

Streamlined Flexibility

# Z-Bar solo desk lamp

The Z-Bar Solo Desk Lamp enjoys all the improvements of the Z-Bar Gen 4 (slimmer profile, cleaner joints, improved optics, increased brightness and greater flexibility), but packed into a compact design. Despite its simplified appearance, it retains all functionality, such as dimmability and rotation. Z-Bar Solo “Pro” packs in three bonus features: an occupancy sensor, a USB-C charging port and tunable light temperature (from 2,700K warm to 5,000K cool white light ).

Designers

Peter Ng, Kenneth Ng, Edmund Ng

Red Dot Design Award 2021

iF Design Award 2021

Best of NeoCon SILVER 2021

Interior Design Magazine's Best of Category 2006\*

Permanent display at Die Neue Sammlung, Munich\*

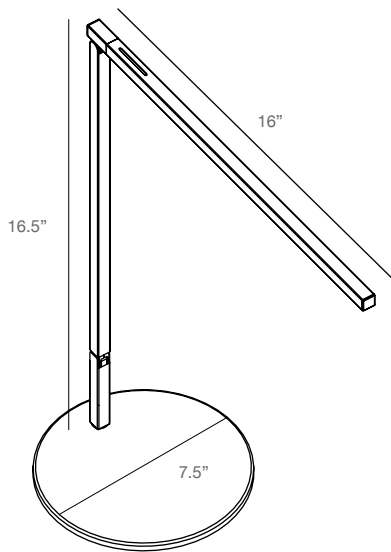
TIME Magazine's Best Inventions of the Year 2007\*

\*Awards won with previous Z-bar generations

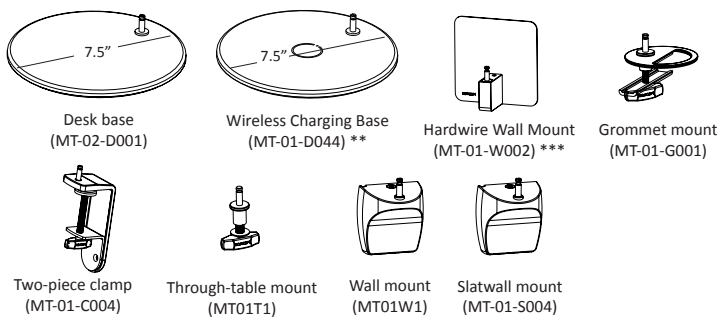
# Technical Information

	Z-Bar Solo	Z-Bar Solo Pro
Occupancy Sensor:	N/A	Built-in
USB-C port:	N/A	Built-in
Color Temperature:	3,500K (W) or 5,000K (D)	2,700K (S) - 5000K (D)
Lumens:	888	816 (S) / 971 (D)
Footcandles @ 15":	169 (W) / 189 (D)	206
Energy Consumption:	8.8 W	10.1 W
Standard Finishes:	Matte Black, Silver, Matte White	Matte Black, Silver
L-90 Rated Lifespan:	60,000 hours	
Color Rendering Index:	90+	
Brightness Adjustability:	Continuous dimming (touchstrip)	
Material:	Aluminum, plastic	
Safety Rating:	C-UL-US Certified	
Warranty:	5 years	
Voltage:	100-240V	

## Dimensions



## Mounting Options/Accessories\*



\*Limited finishes available on mounting options  
 \*\* Not available for standard model  
 \*\*\* Not available for Pro model

## LEED Information

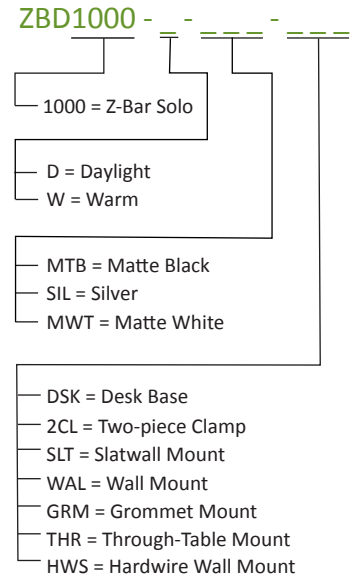
### Integrative Process

To support high-performance, cost-effective project outcomes through an early analysis of the interrelationships among systems. Concept's LED desktop and task lighting provides finer control over lighting levels in occupied spaces. With personal lighting in place, elimination or downsizing of building lighting systems is possible.

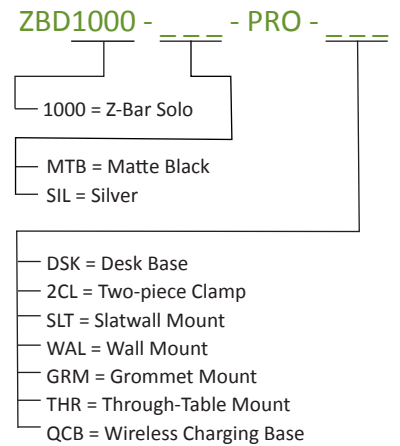
### Interior Lighting

To promote occupants' productivity, comfort and well-being by providing high-quality lighting. Concept's portable task lighting products provide more than three lighting levels that occupants can easily adjust to suit their needs. Furthermore, all Concept lighting products use high quality LED light sources with CRI over 90 and L90 rated lifespan over 60,000 hours. Desktop and task personal lighting also provide the opportunity to reduce overhead lighting.

## Z-Bar Solo



## Z-Bar Solo Pro



Photometrics: Light source placed 15" away from work surface

