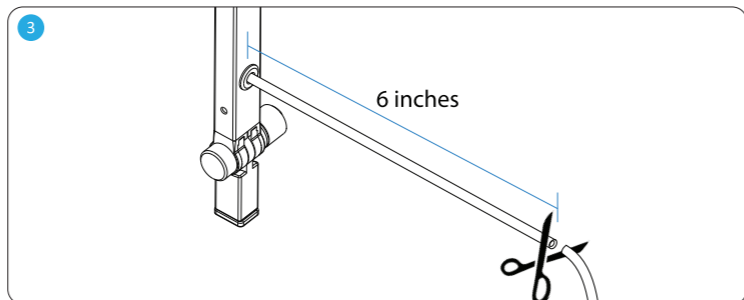
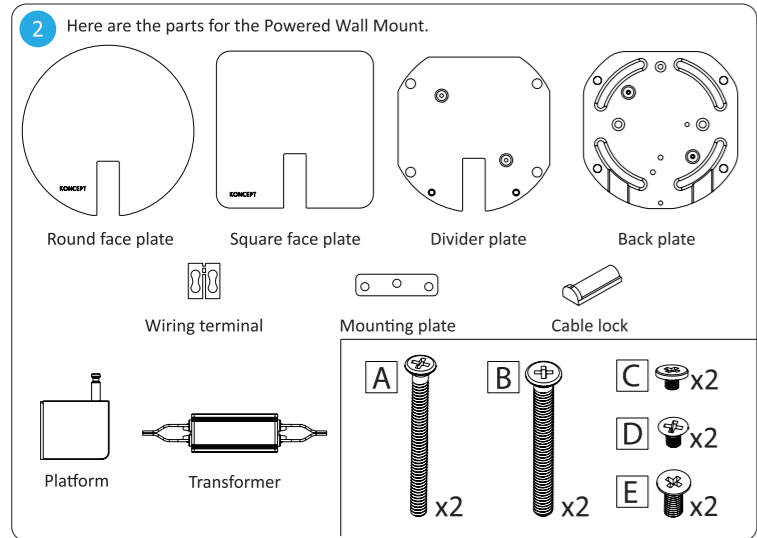
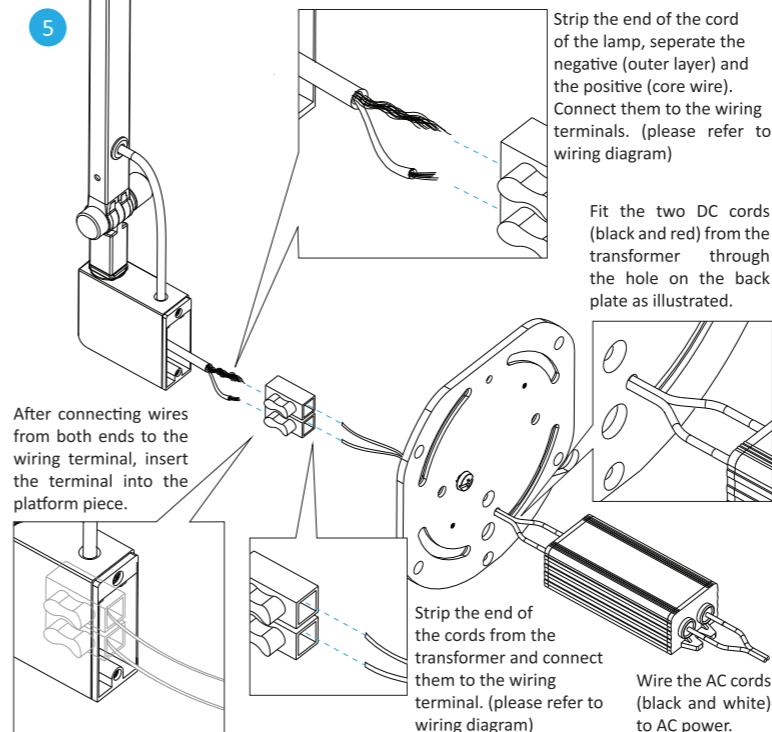
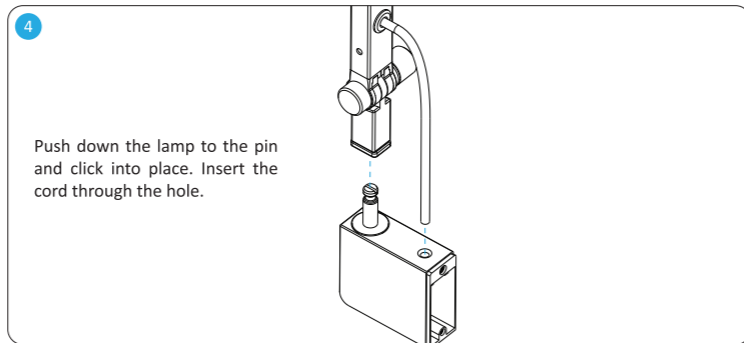


WARNING: BEFORE ASSEMBLY OF THIS KIT READ THROUGH THE COMPLETE ASSEMBLY INSTRUCTIONS STEP BY STEP AND NOTE ALL CAUTIONS

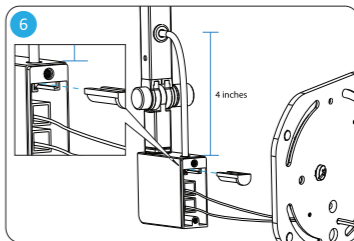
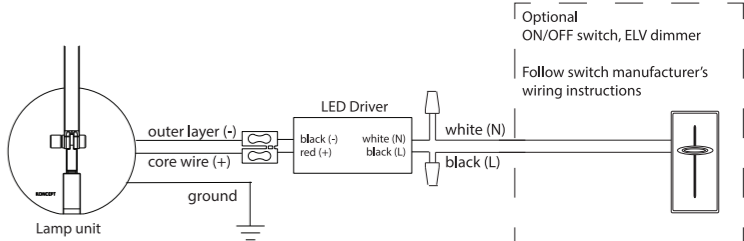
1 Shock Hazard. Electric shock could result in serious injury or death. Make sure circuit breaker is set to OFF before installation. Must be installed by a qualified electrician.



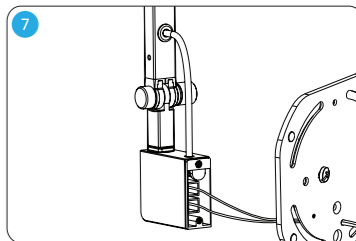
Make sure the lamp is a compatible model to the Powered Wall Mount. (Here are some of the compatible models : AR3000, AR3100, AR1000, AR1100, AR2001, SPY) Cut off the cord at the back of the lamp, make sure to leave at least 6 inches of cord.



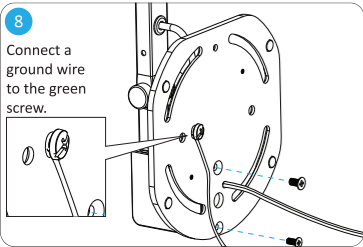
WIRING DIAGRAM



Insert the cable lock into the platform as illustrated. Make sure to leave at least 4 inches of cord out.

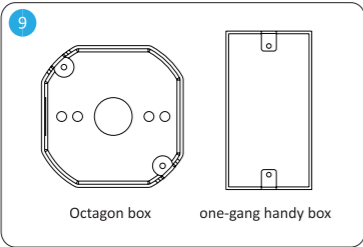


This is how it should look after the cable lock is fully inserted.



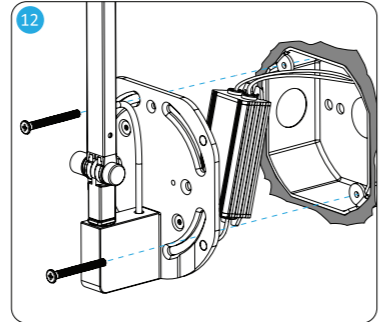
8
Connect a ground wire to the green screw.

Connect a ground wire to the green screw. Then use the two screws labeled "E", fasten the back plate onto the platform.



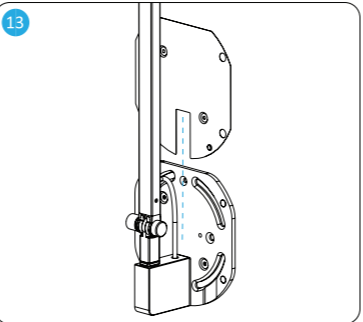
9
Octagon box one-gang handy box

For one-gang handy box, please continue to step 10. Skip to step 12 if you are installing on a Octagon box.



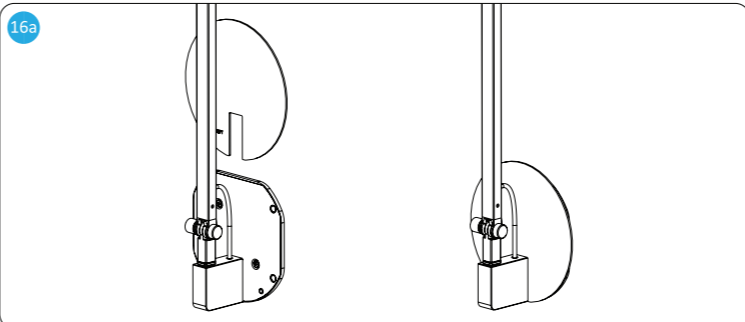
12

Secure back plate to the junction box with screws labeled "B". A junction box with enough depth to fit the LED driver should be used. LED driver should be completely seated inside the junction box.



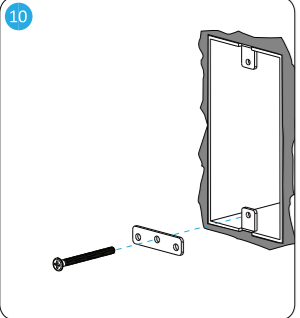
13

Slide the divider plate in front of the back plate.



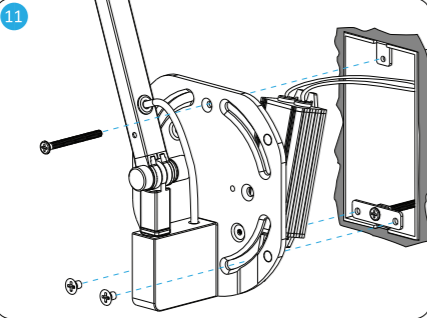
16a

Slide the round cover plate into place.



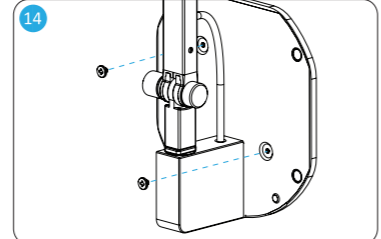
10

Using the screw labeled "A", secure the mounting plate onto the bottom screw hole on the one-gang handy box.



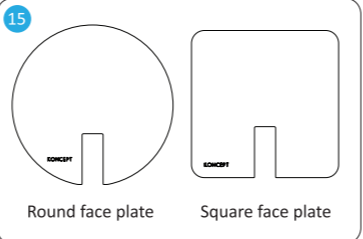
11

Using the screw labeled "A", secure back plate to the top screw hole on the handy box. Using the 2 screws labeled "D", secure the back plate to the mounting plate. Skip to step 13.



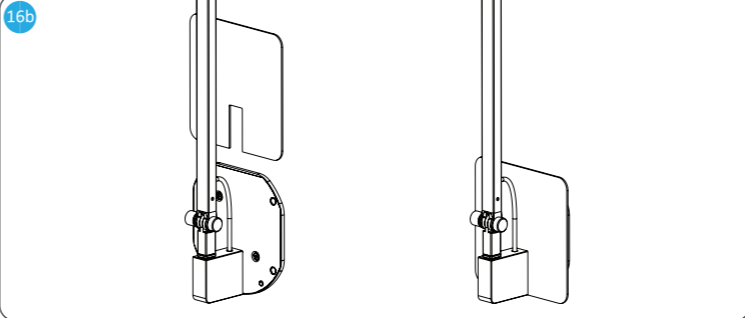
14

Secure the divider plate to the back plate using screws labeled "C".



15
Round face plate Square face plate

A round or square face plate can be chosen. For round cover go to step 16a, for square cover go to step 16b.



16b

Slide the square cover plate into place.

One Year Limited Product Warranty

Koncept warrants to the original purchaser of this product against manufacturer defects in design, assembly, material, or workmanship, and will, at Koncept's option, replace or repair any defective product free of charge. This coverage is valid for one year from the date of purchase as long as the original purchaser owns the product. Koncept will replace or repair the product, which Koncept, at its sole discretion, agrees is defective, free of charge provided that the following conditions for a return are fulfilled. This warranty does not apply to any product damaged by accident, physical or electrical misuse or abuse, improper installation, alteration, any use contrary to its intended function, war, fire, flood, or any other acts of nature, or unauthorized repair.


Koncept assumes no liability for any events such as fires arising out of the use of this product or any consequential damages caused by any failure of the product to function properly. Under no circumstances should this warranty or the product covered by it be construed as an insurance policy against loss of any kind. Koncept staff neither assumes nor authorizes any person or organization to make any warranties or assume any liability in connection with the sale or use of this product. This warranty covers only products used in the 50 US states and/or Canada. This is the complete MT-01-W002 warranty and no other warranty exists. Some jurisdictions may not allow limitations on how long an implied warranty lasts, or the exclusion or limitation of incidental or consequential damages, so the above exclusions or limitations may not apply to you. This warranty gives you specific legal rights, and you may also have other rights which vary in different states and countries.

To file a replacement/repair claim under the warranty:

- 1) Contact Koncept for a return authorization number during the warranty period. A claim will not be accepted without a return authorization number.
- 2) Make a copy of the original purchase receipt with purchase date and product name clearly shown.
- 3) Provide original purchaser's full name, email address (optional), daytime phone, and postal address.
- 4) Return the defective product to Koncept freight prepaid and accompanied by (1), (2), and (3) to the following address:

Limited Product Warranty
Koncept Inc.
429 E. Huntington Drive
Monrovia, CA 91016

Warnings

-  **Warning: To reduce the risk of fire, electric shock or injury:**
- Do not use in wet locations
 - Do not handle plug or appliance with wet hands

Specifications

Model	MT-01-W002
Compatible lamps	AR3000, AR3100, AR3200, AR1000, AR1100, AR2001, SPY
Input voltage	120 V only

Koncept Inc.
429 E. Huntington Drive
Monrovia, CA 91016, USA
Phone: 323-261-8999
Fax: 323-261-8998

Customer Support:
support@koncept.com

Web Address:
www.koncept.com