



Endless Possibilities

Mosso pro

Designers
Kenneth Ng, Edmund Ng

Best of NeoCon GOLD 2013
Next Generation Luminaires 2014

Desk

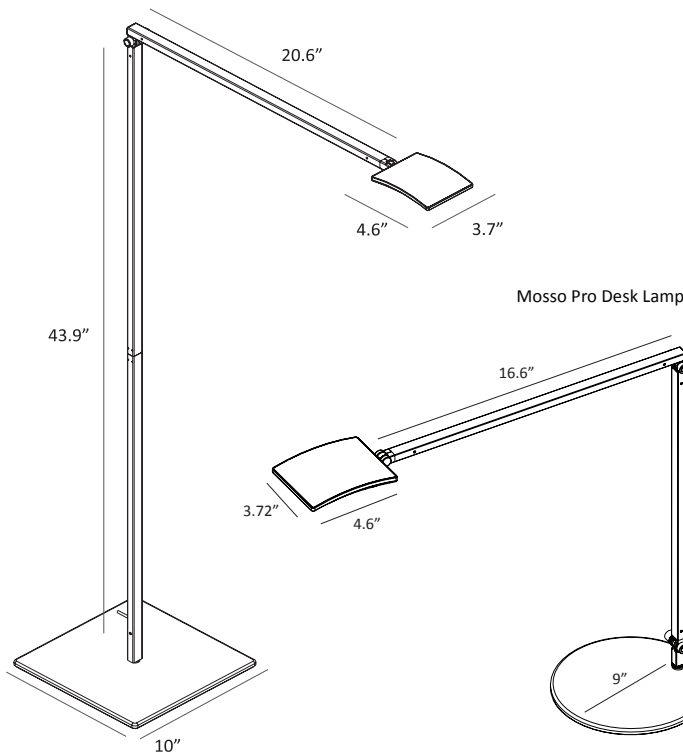
Floor

Available as a floor lamp or desk lamp, Mosso Pro delivers a phenomenal 99 lumens per watt efficiency. Change light temperature from warm to cool and anything in between. An intuitive built-in touchstrip allows for effortless dimming. A built-in occupancy sensor ensures no energy is wasted lighting up an empty space. Mosso Pro Floor features a USB port on the lower body, and Mosso Pro Desk comes standard with a USB charging base. A wireless charging base is also available for Qi-compatible devices.

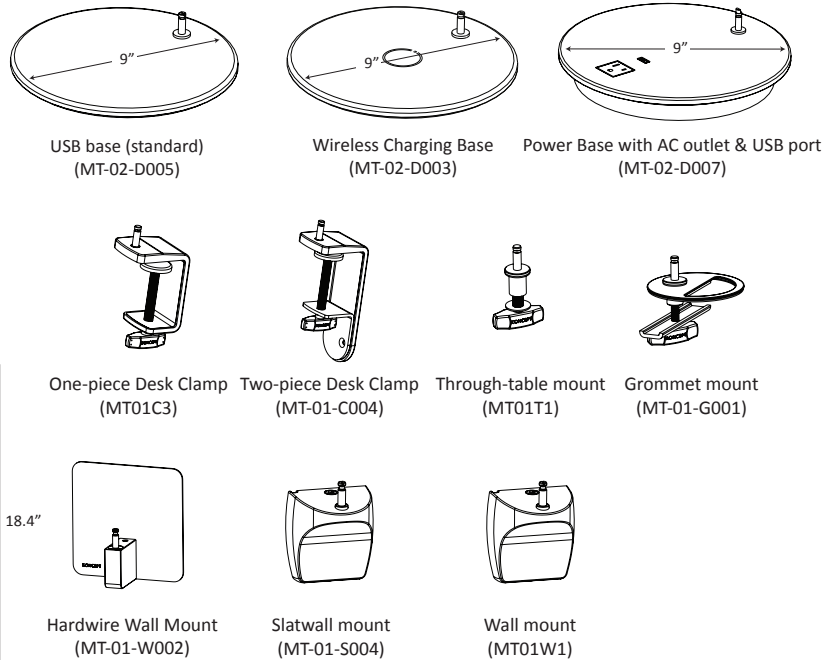
Lumens: 540
 Footcandles: 103
 Lux: 1108
 Energy Consumption: 5.5 W
 Rated Lifespan: 50,000 hours
 Color Temperature: Variable from 2,700 to 5,000 K
 Color Rendering Index (CRI) : 90
 Brightness Adjustability: Continuous dimming
 Material: Aluminum, plastic
 USB port: Built-in (on Mosso Pro Floor and Mosso Pro Desk with standard base), 1A
 Occupancy Sensor: Built-in
 Safety Rating: C-UL-US Certified
 Warranty: 5 years
 Voltage: 100-240 V
 Standard Finishes: Metallic Black, Silver, White

- AR2001-
- MBK = Metallic Black
 - SIL = Silver
 - WHT = White
- USB = USB Desk Base
 - QCB = Wireless Charging Base
 - PWD = Power Base
 - CLP = One-piece Desk Clamp
 - 2CL = Two-piece Desk Clamp
 - THR = Through-table Mount
 - HWS = Hardwire Wall Mount
 - SLT = Slatwall Mount
 - WAL = Wall Mount
 - GRM = Grommet Mount
 - FLR = Floor Lamp

Mosso Pro Floor Lamp



Desk Lamp Mounting Options*



*Limited finishes available on mounting options

LEED Information

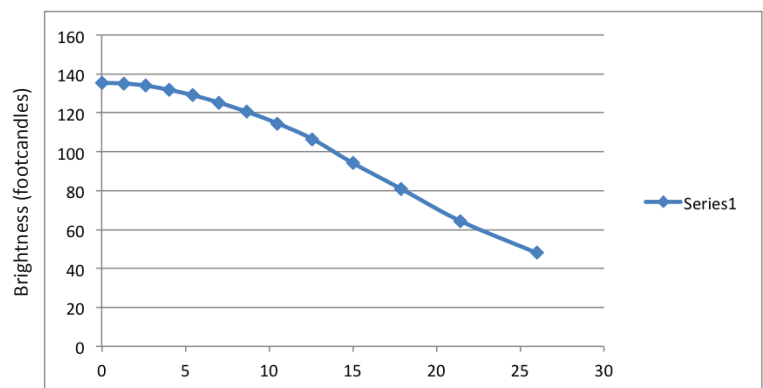
Integrative Process

To support high-performance, cost-effective project outcomes through an early analysis of the interrelationships among systems. Konzept's LED desktop and task lighting provides finer control over lighting levels in occupied spaces. With personal lighting in place, elimination or downsizing of building lighting systems is possible.

Interior Lighting

To promote occupants' productivity, comfort and well-being by providing high-quality lighting. Konzept's portable task lighting products provide more than three lighting levels that occupants can easily adjust to suit their needs. Furthermore, all Konzept lighting products use high quality LED light sources with CRI over 80 and L70 rated lifespan over 50,000 hours. Desktop and task personal lighting also provide the opportunity to reduce overhead lighting.

Photometrics: Light source placed 15" away from surface



Distance from center (inches)