



Wall

Playfully Practical

Gravy wall sconce

Designers
Kenneth Ng, Edmund Ng

Spark Award 2015
iF Design Award 2016

The Gravy Wall Sconce is a playful, customizable and highly functional piece. The sconce's head swivels back and forth and rotates 360°. As a result, it can be enjoyed as an ambient light or task light. Touch the center of the LED head to power on/off and hold it to dim. Choose between plug-in or hardwire versions to suit your mounting capabilities. The magnetically attached surface plates are interchangeable, enabling users to select painted finishes, wood veneers, metal or fabric to complement their interior space. A paintable option opens up opportunities for designers to customize according to their preferences or project needs.

Lumens: 320
Energy Consumption: Plug-in: 4.5 W / Hardwire: 5.8 W
Rated Lifespan: 50,000 hours
Color Temperature: 2,700 K
Color Rendering Index (CRI) : Plug-in: 83 / Hardwire: 94
Brightness Adjustability: Continuous Dimming**
Material: Zinc alloy, plastic
Safety Rating: C-UL-US Certified
Warranty: 5 years (1 year for hardwire driver)
Voltage: Plug-in: 100-240 V / Hardwire: 120 V
Standard Finishes (Body): Matte White, Silver, Chrome, Metallic Black
Standard Finishes (Face Plate): Matte White, Silver, Chrome, Metallic Black, Oiled Walnut (Veneer), White Oak (Veneer), Matte Orange, Matte Red, Matte Yellow, Matte Hot Pink, Matte Blue, Matte Green, Brass, Paintable (primed white), Oxford Felt*, Honeydew Felt*, Azure Felt*.

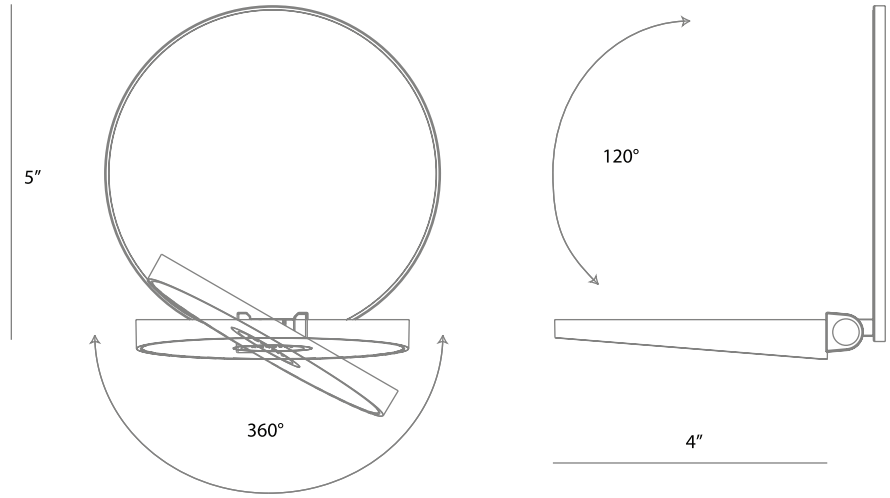
*100% wool
 **Visit koncept.com/dimmers for information on compatible dimmers for hardwire Gravy Wall Sconce
 ***A junction box of at least 1.5" depth is required for the installation of hardwire Gravy Wall Sconce

GRW-S-

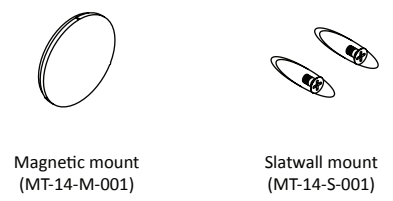
- MWT = Matte White
- SIL = Silver
- CRM = Chrome
- MBK = Metallic Black

- MWT = Matte White
- SIL = Silver
- CRM = Chrome
- MBK = Metallic Black
- OWT = Oiled Walnut
- WOK = White Oak
- MOR = Matte Orange
- MRD = Matte Red
- MYW = Matte Yellow
- MHP = Matte Hot Pink
- MBL = Matte Blue
- MGN = Matte Green
- BRS = Brass
- PTB = Paintable
- OXF = Oxford (felt)
- HDF = Honeydew (felt)
- AZF = Azure (felt)

- HW = Hardwire***
- PI = Plug In



Mounting Options/Accessories (for plug-in version only)



LEED Information

Integrative Process
 To support high-performance, cost-effective project outcomes through an early analysis of the interrelationships among systems.

Koncept's LED lighting fixtures operate at high efficacy, therefore helping to minimize energy costs. All Koncept lighting fixtures are dimmable so that occupants can choose the appropriate setting to avoid energy overuse.

Interior Lighting
 To promote occupants' productivity, comfort and well-being by providing high-quality lighting.

Koncept's entire line of hardwired lighting fixtures are dimmable. Users can adjust the brightness settings to suit their needs. Furthermore, all products utilize high quality LED light sources with CRI over 80 and L70 rated lifespan over 50,000 hours.

Photometrics: Light source placed 15" away from work surface

