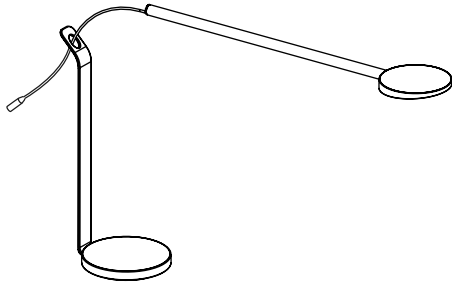


## INSTRUCTIONS

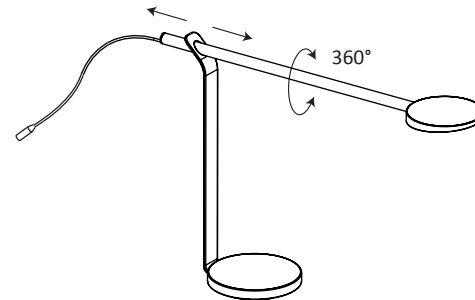
NOTE: Actual wood finish may vary due to natural variations in wood grain and finish.

1



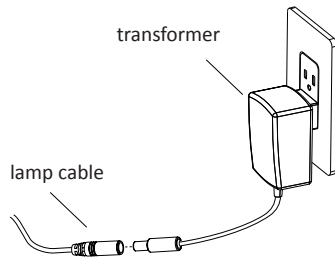
Feed the power cable through the hole located at the top of the aluminum body.

2



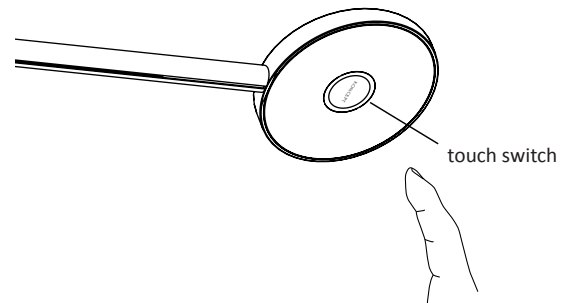
Insert the wooden rod into the same hole. The rod can be rotated 360° and slid back and forth within the hole.

3



Plug in transformer to the lamp.

4



Touch the circle in the middle on the underside of the lamp head to power on/off, touch and hold to adjust brightness.



gravity™ LED DESK LAMP

KONCEPT