

Floor

Contemporary Spotlight

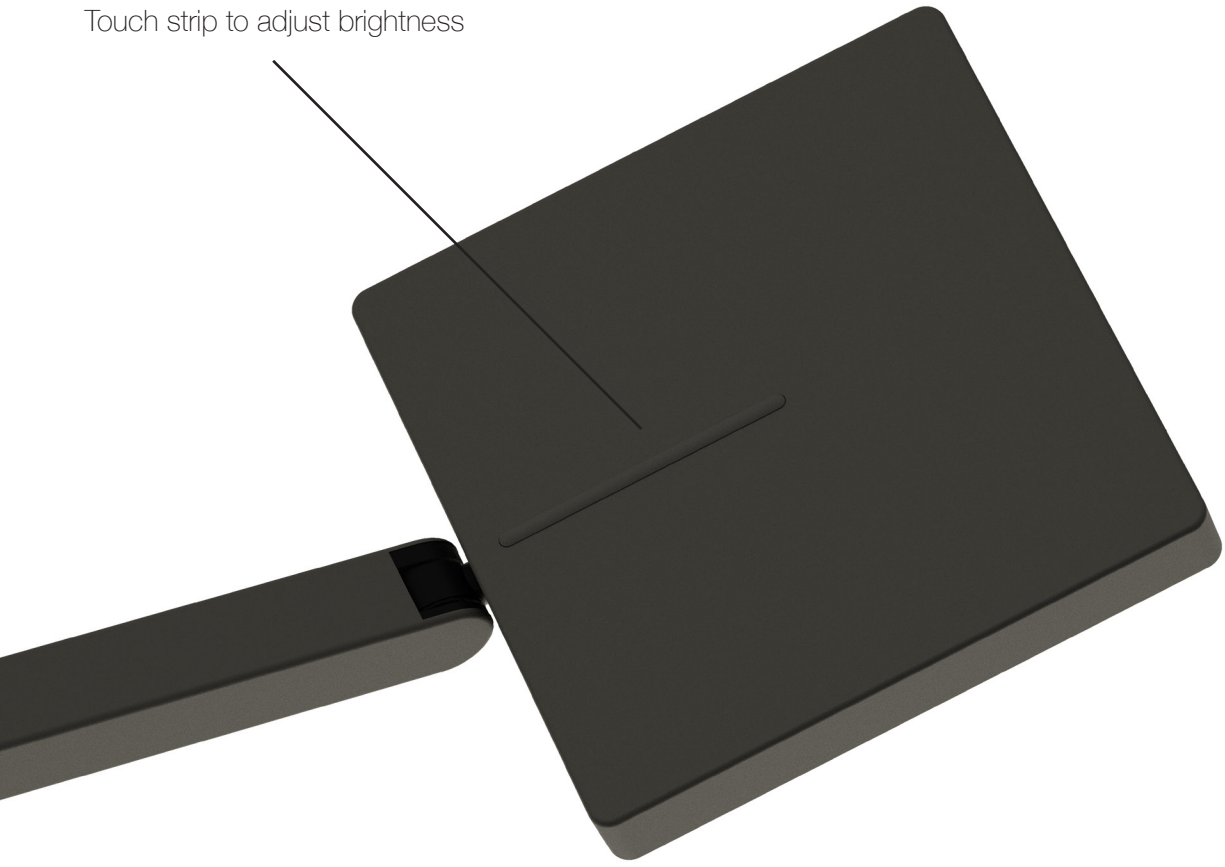
Focaccia floor lamp

Designers
Kenneth Ng, Edmund Ng

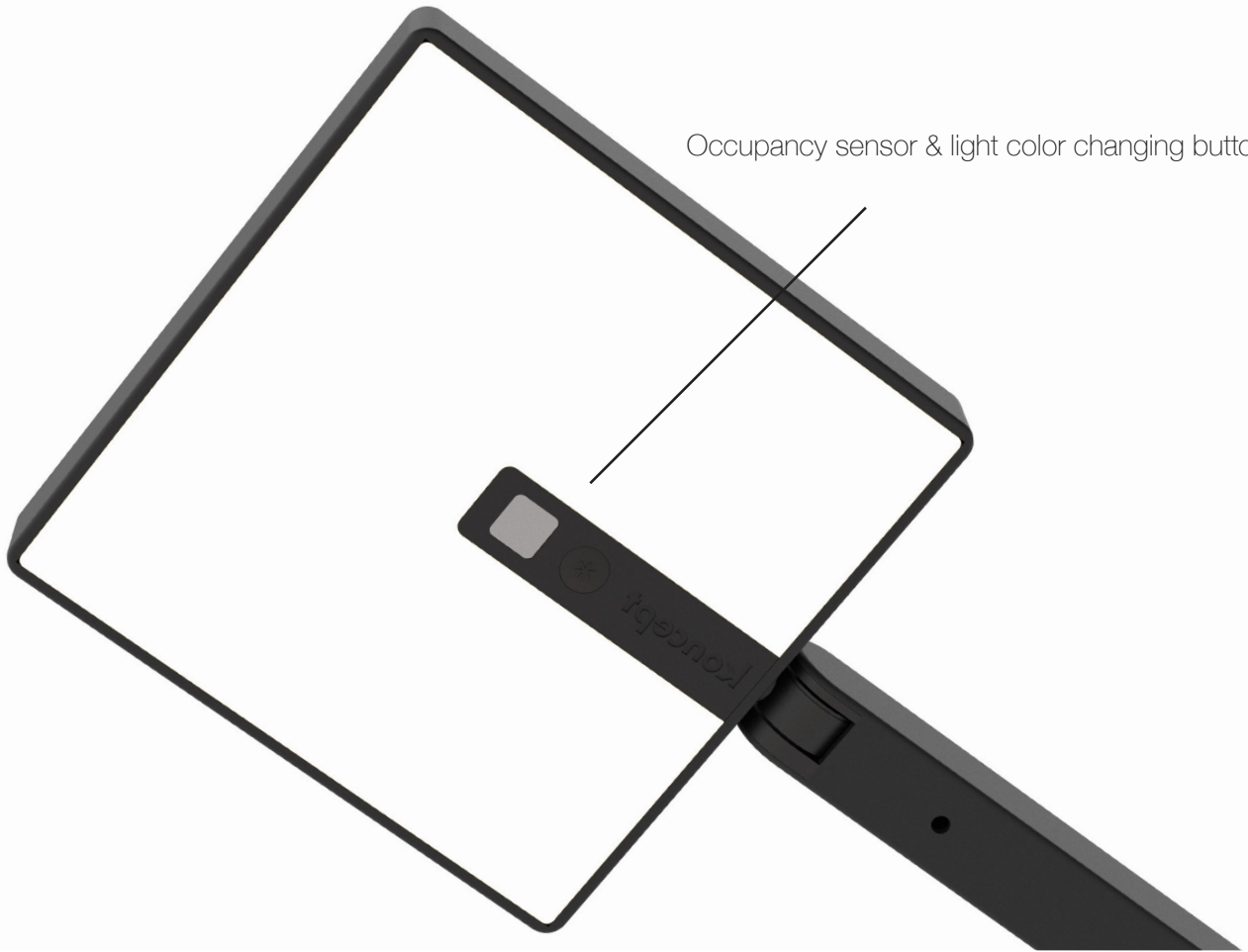
Best of NeoCon GOLD 2022

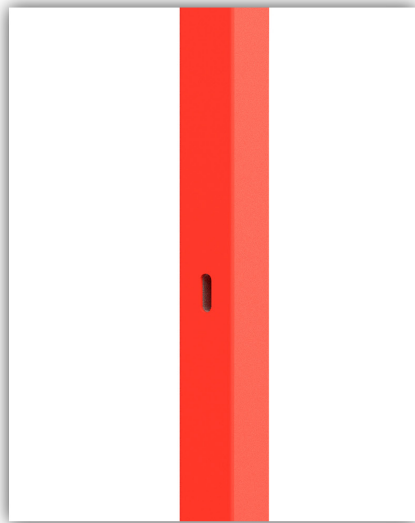
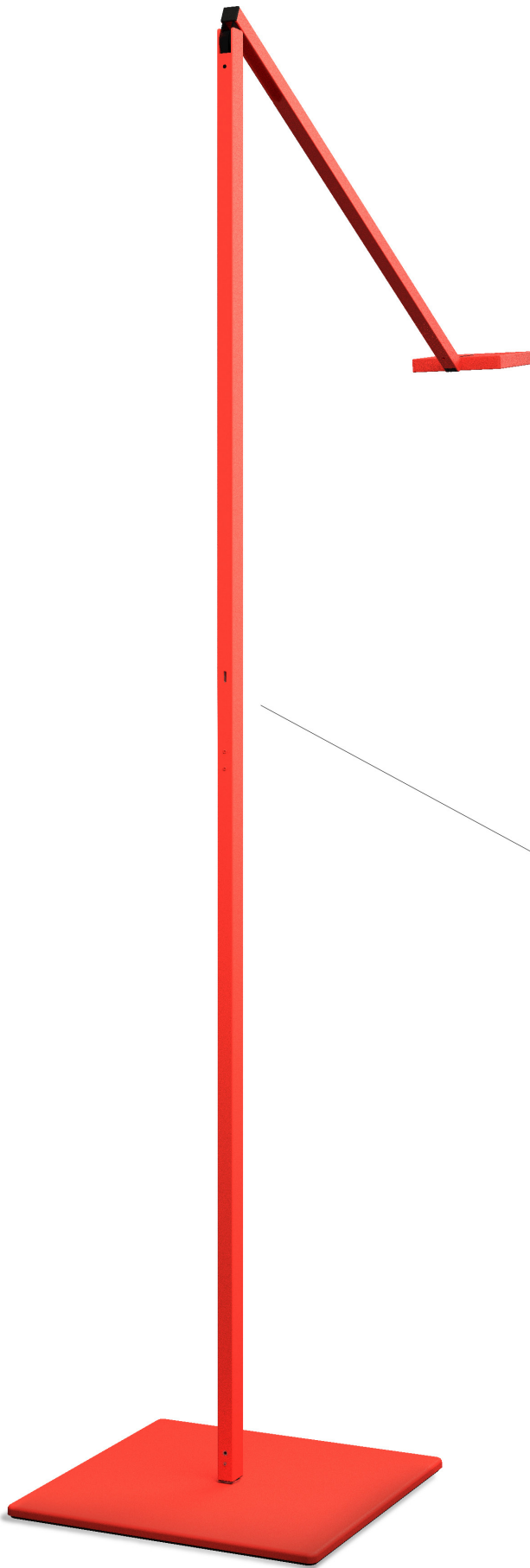
The Focaccia Floor Lamp is a long, slim and flexible spotlight that can be bent at the joints, and swiveled at the base, making it a great choice for your contemporary area. The diffused square spotlight head is able to adjust light color from 2700 K (warm) to 5000 K (white), and brightness level with a touch strip on the top. Additionally, the Floor model includes an occupancy sensor, and a USB-C charging port for charging devices.

Touch strip to adjust brightness



Occupancy sensor & light color changing button





USB-C charging port

Technical Information

	Focaccia Floor
Occupancy Sensor:	Built-in
USB-C port:	Built-in
Color Temperature:	2,700K - 5000K
Lumens:	460
Energy Consumption:	7 W
Standard Finishes:	Matte Black, Silver, Matte Fire Red
L-90 Rated Lifespan:	60,000 hours
Color Rendering Index:	90+
Brightness Adjustability:	Continuous dimming (touchstrip)
Material:	Aluminum, plastic
Safety Rating:	C-UL-US Certified
Warranty:	5 years
Voltage:	100-240V

Focaccia Floor

FCF

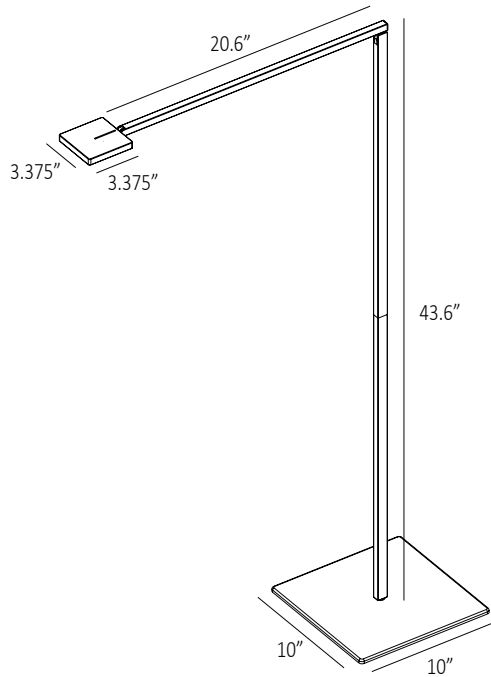
FCF = Focaccia Floor

MTB = Matte Black

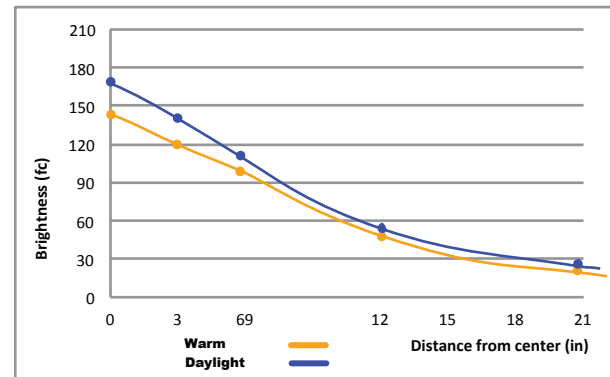
SIL = Silver

MFR = Matte Fire Red

Dimensions



Photometrics: Light source placed 15" away from work surface



LEED Information

Integrative Process

To support high-performance, cost-effective project outcomes through an early analysis of the interrelationships among systems.

Koncept's LED desktop and task lighting provides finer control over lighting levels in occupied spaces. With personal lighting in place, elimination or downsizing of building lighting systems is possible.

Interior Lighting

To promote occupants' productivity, comfort and well-being by providing high-quality lighting.

Koncept's portable task lighting products provide more than three lighting levels that occupants can easily adjust to suit their needs. Furthermore, all Koncept lighting products use high quality LED light sources with CRI over 90 and L90 rated lifespan over 60,000 hours. Desktop and task personal lighting also provide the opportunity to reduce overhead lighting.

