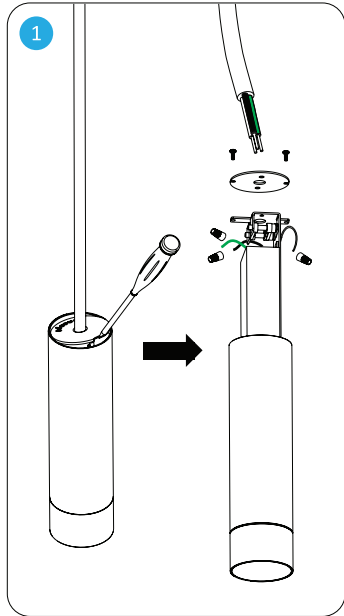


Combi pendant

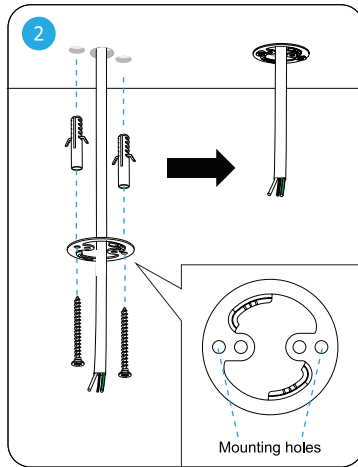
Assembly Instructions Flush mount (without canopy)



For video instructions, or instructions in other languages, please scan the QR code, or visit www.koncept.com/Combi

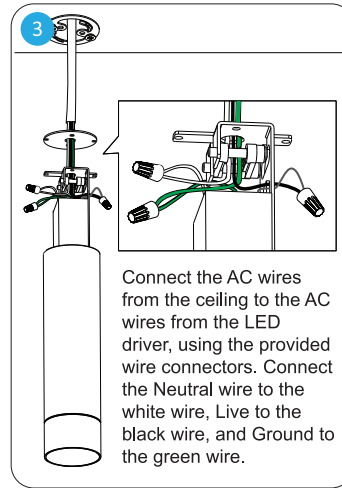


Remove top cap from the fixture, then loosen the two short screws immediately below, then loosen and remove the power cable by sliding the LED driver bracket out and undoing the wire nuts.

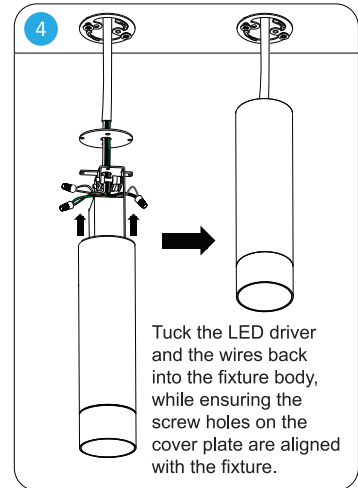


Using the ceiling mounting plate as a template, drill two holes on the ceiling for the two mounting holes on the opposite sides of the mounting plate, as shown above, with hole size to fit the drywall anchors. Affix the mounting plate to the ceiling using screws and anchors as shown above. Feed the AC source cable down from the ceiling through the center of the plate.

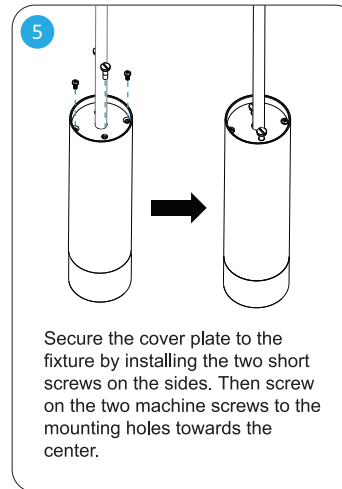
We recommend using the following:
- 4/2 type NM-B cable with ground
- #8-#10 x 1" Anchor, drill size 3/16"



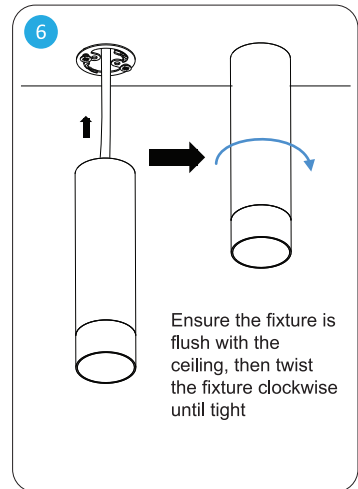
Connect the AC wires from the ceiling to the AC wires from the LED driver, using the provided wire connectors. Connect the Neutral wire to the white wire, Live to the black wire, and Ground to the green wire.



Tuck the LED driver and the wires back into the fixture body, while ensuring the screw holes on the cover plate are aligned with the fixture.



Secure the cover plate to the fixture by installing the two short screws on the sides. Then screw on the two machine screws to the mounting holes towards the center.

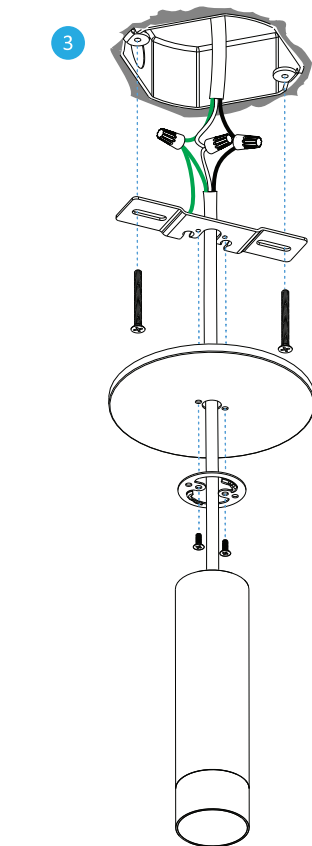
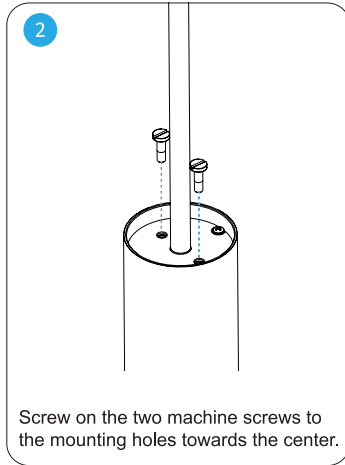
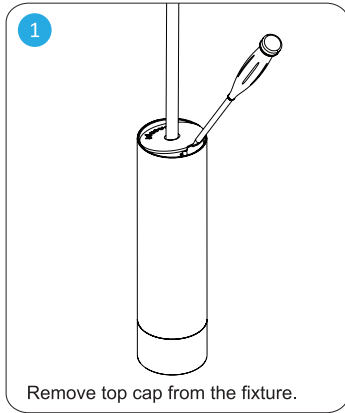


Ensure the fixture is flush with the ceiling, then twist the fixture clockwise until tight

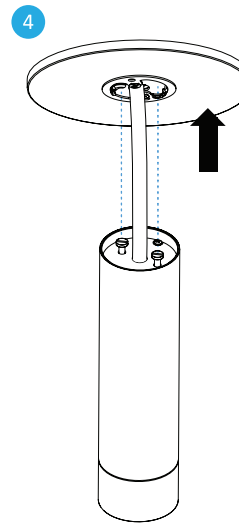
Combi pendant

Assembly Instructions

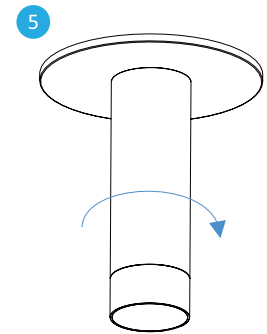
Flush mount (with canopy)



Fit the cable through the metal ring, then the canopy plate. Using the provided wire nuts, connect Live (Black) cable to the Live wire from the mains source, and White (Neutral) to the Neutral wire from the mains source, and Ground (Green) to the ground. Using the two long machine screws, secure the mounting plate to the canopy. With the two short screws, secure the metal ring with the canopy cover together to the canopy.



Engage the fixture to the mounting plate as shown in the diagram.



Ensure the fixture is flush with the canopy, then twist the fixture clockwise until tight.

Specifications

Combi pendant light

Model	CMP
Light Color	Soft white
Light Temperature	2700 K
Dimmer compatibility	ELV dimmer
Damp-Rated	Suitable for damp locations

Koncept Inc.
429 E. Huntington Drive
Monrovia, CA 91016, USA
Phone: 323-261-8999
Fax: 323-261-8998

Customer Support:
support@koncept.com

Web Address:
www.koncept.com

v.20230111

koncept