

KLEE 43 FLOOR LAMP

PRODUCT FEATURES

- Klee 43 Floor Lamp features a modern minimalist design with clean, geometric lines inspired by the Bauhaus movement.
- Offered in two finishes on a White Marble base, Polished Nickel or Natural Brass that will patina over time.
- Great for task lighting, integrated LED arm rotates in each direction 35° to place light where you need it most.
- An integrated 3-step touch dimmer conveniently designed to achieve your desired ambiance.
- Includes 6 feet of black cloth cord
- Protected by a 5-year warranty. please visit the "About Us" Page on techlighting.com for more for warranty details



Natural Brass / White Marble



To view all available finish options, please visit techlighting.com

LAMPING

Includes 120-240 volt 10.2 watts, 694.9 delivered lumens, 90 CRI 2700K LED module. Built-in three way dimming. Includes 6 feet of black cloth cord.

ORDERING INFORMATION

700PRTKLE43 FINISH

- NB NATURAL BRASS/WHITE MARBLE
- N POLISHED NICKEL/MARBLE

LAMP

-LED927 LED 90 CRI 2700K 120V

700PRTKLE43 _____

JOB NAME _____

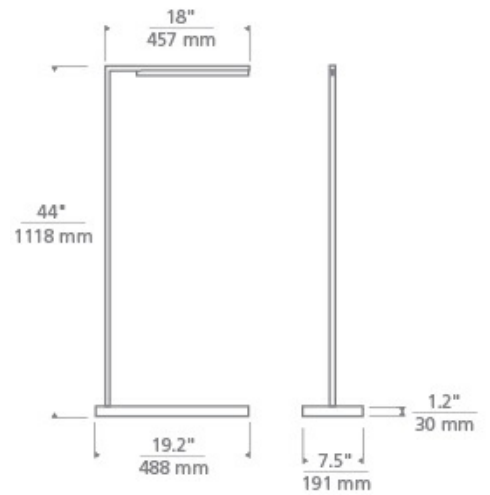
NOTES _____



KLEE 43 FLOOR LAMP

SPECIFICATIONS

HARDWARE MATERIAL	Metal
SHADE MATERIAL	Acrylic
NET WEIGHT	13 lbs
HEIGHT	44in
WIDTH	7.5in
LENGTH	18in
WET LISTED	
DAMP LISTED	Yes
DRY LISTED	
GENERAL LISTING	ETL Listed
INCLUDES	



LAMPING SPECIFICATIONS

	LED LAMP	INTEGRATED LED	NON LED	NO LAMP
DELIVERED LUMENS		694.9		
WATTS		10.2		
MAX WATTAGE PER BULB		10.2W		
INPUT VOLTAGE		120-240V		
DIMMING TYPE*		Integrated 3-Step Touch Dimmer		
CCT		2700K		
CRI		90 CRI		
LED LIFETIME				
L70		>50000		
AVERAGE BULB HOURS				
FIELD SERVICEABLE LED				
LAMP BASE		Integrated LED		
LAMP SHAPE		Integrated LED		
LAMP INCLUDED?		Y		
WARRANTY**		5 Years		

*Dimming information available at www.techlighting.com/Downloads#dimming

** Visit techlighting.com for specific warranty limitations and details.

T20 / T24 INFORMATION

	Integrated LED	Replacement LED Lamp	No Lamp *
This product can be used to comply with California Building Energy Efficiency Standards 2016 Title 24 Part 6.	No		
This product can be used to comply with California Appliance Efficiency Standards 2016 Title 20 and may be shipped to and sold in California.	Yes		

* If a light fixture or component does not include a lamp or light source, it is the responsibility of the customer to select a lamp that meets the T24 and T20 requirements.

