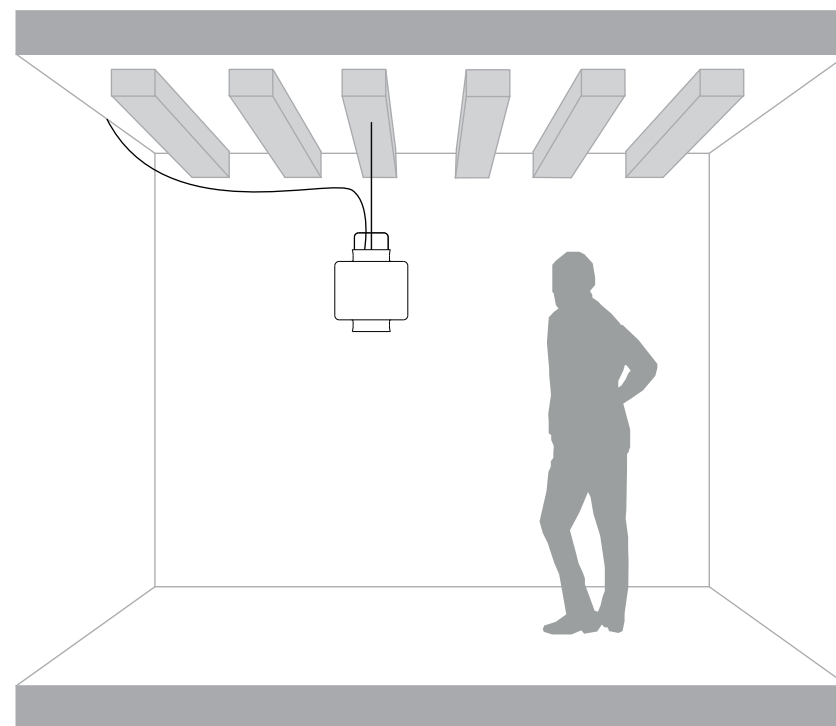


# KIMONO

SE635V-EXT  
SE636V-EXT

220-240 V.  
max 1x23W - E27

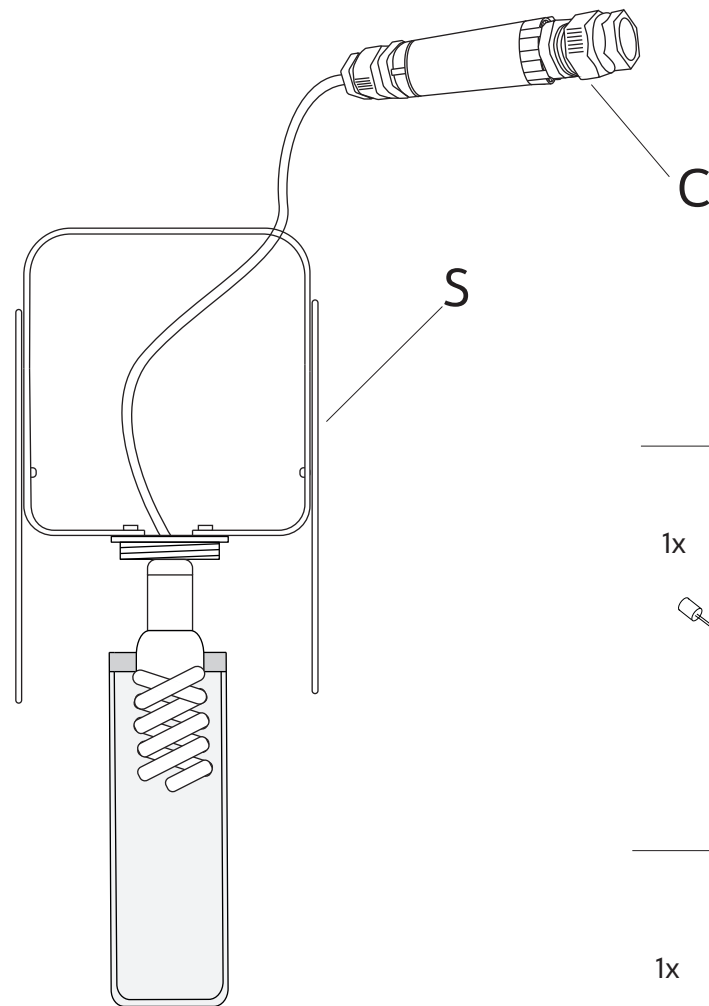
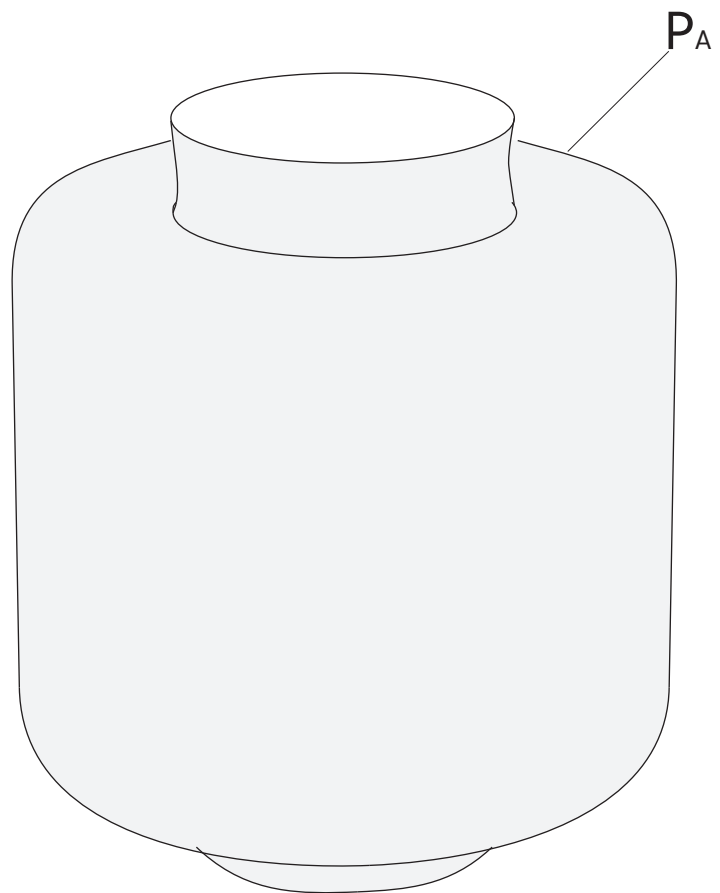


IP65    

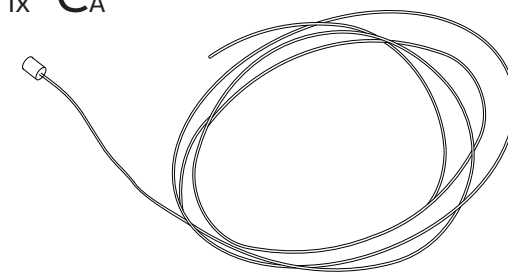
Karman srl

Via A. Grandi, San Martino del piano, 61034 Fossombrone (PU), Italy - p.iva 02175640412 tel +39 0721 71 5042 r.a fax +39 0721 716640 - [www.karmanitalia.it](http://www.karmanitalia.it)

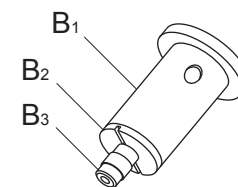




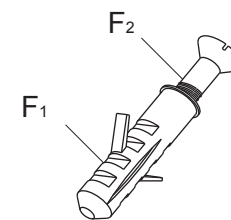
1x CA

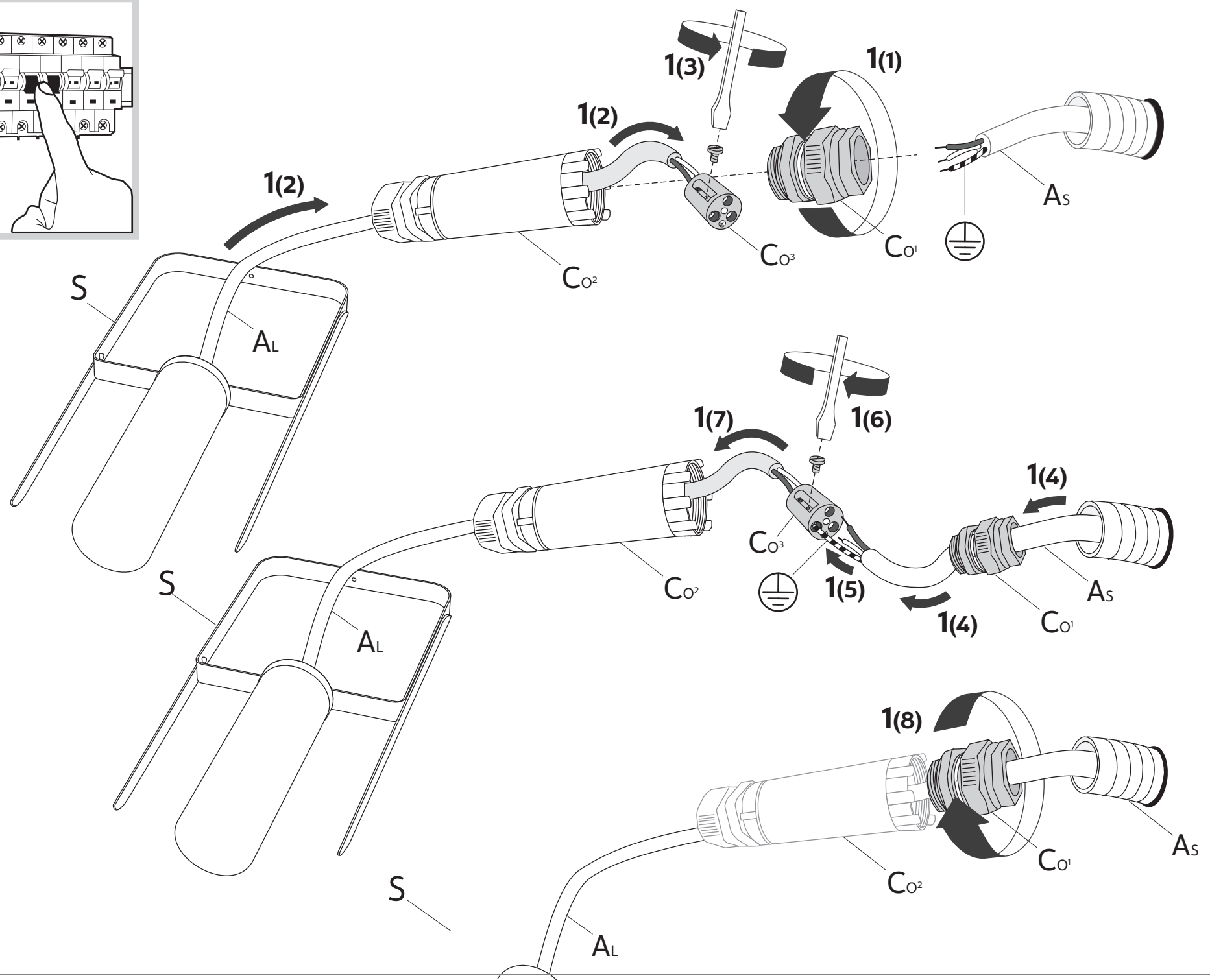
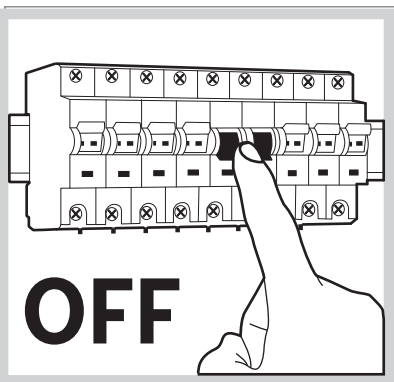


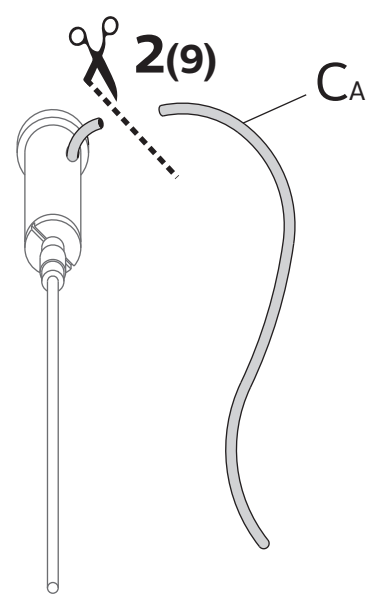
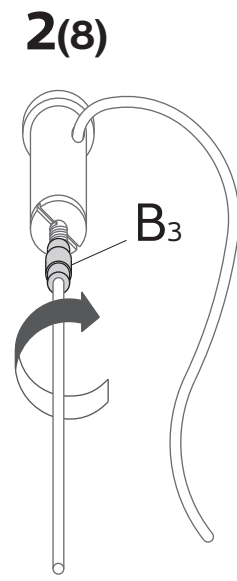
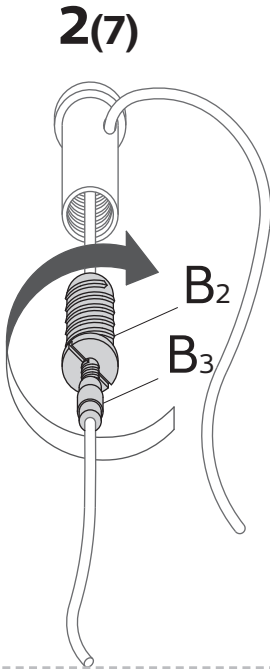
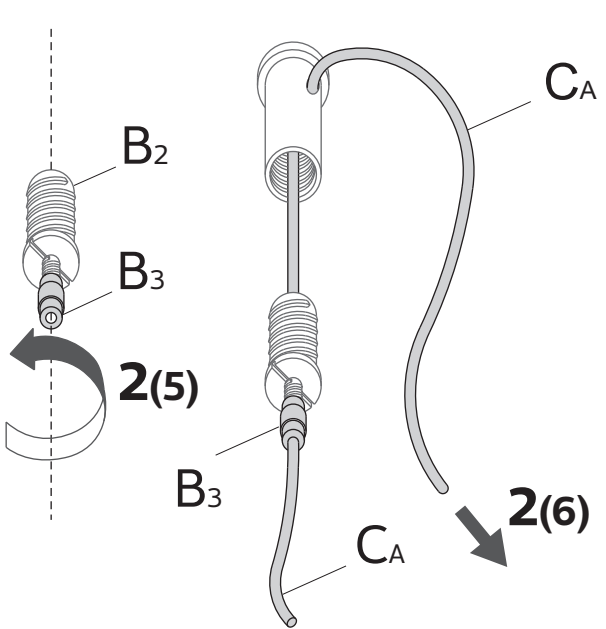
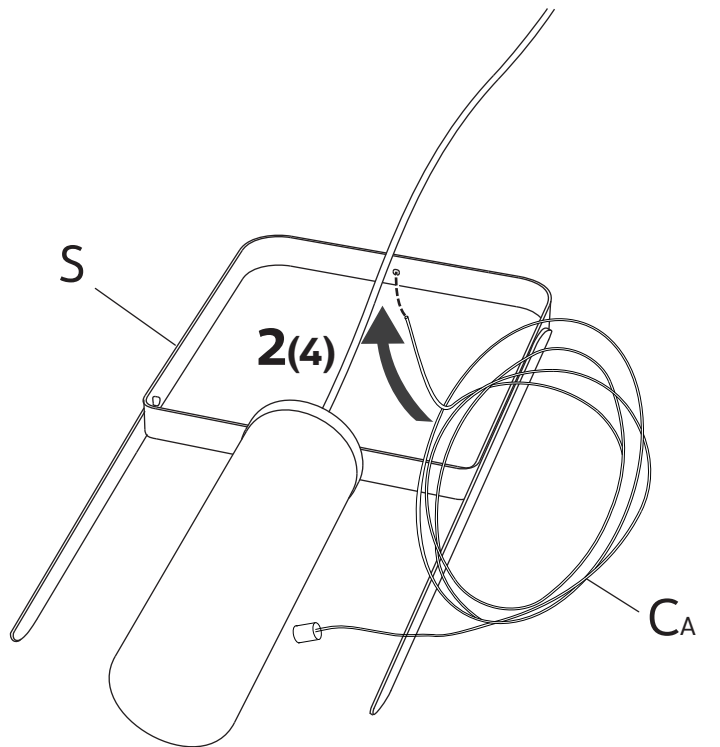
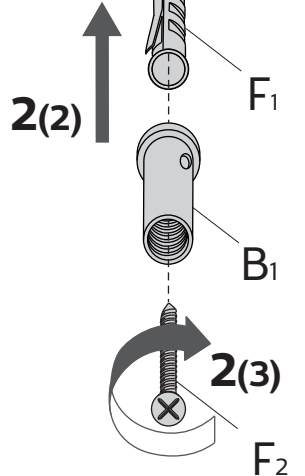
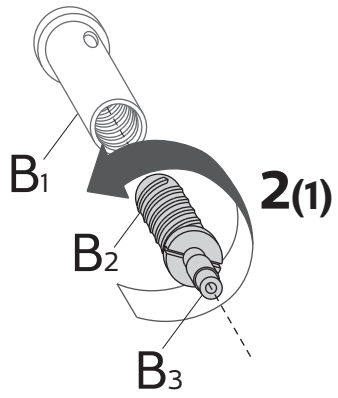
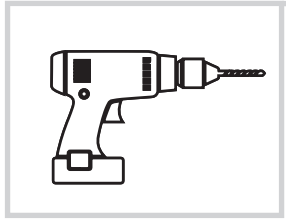
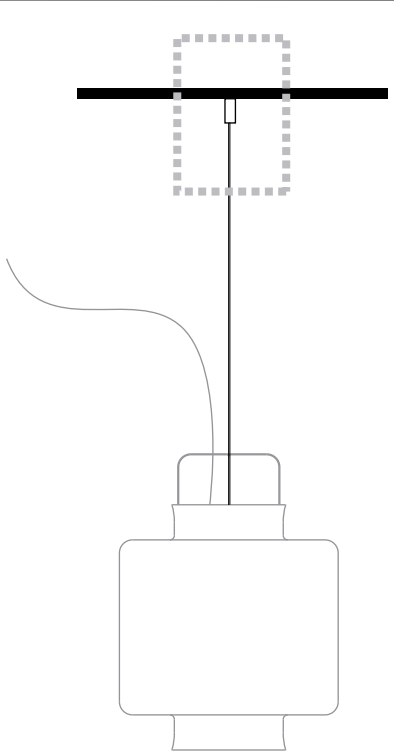
1x B

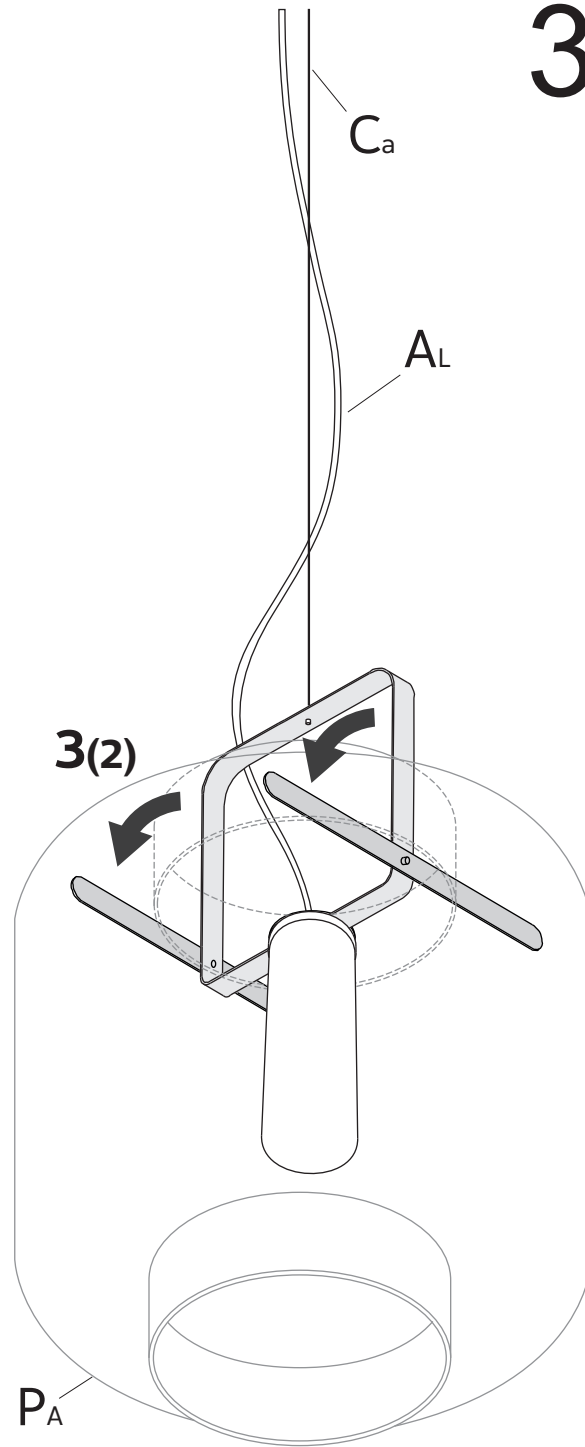
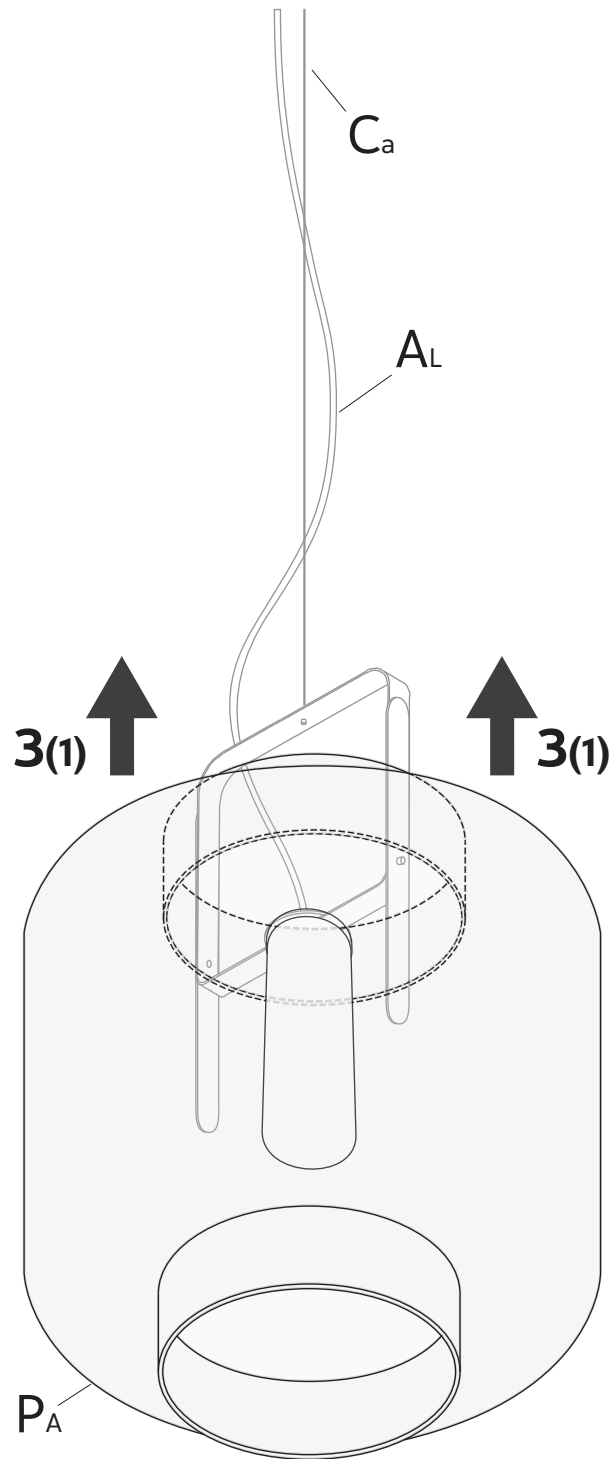


1x F

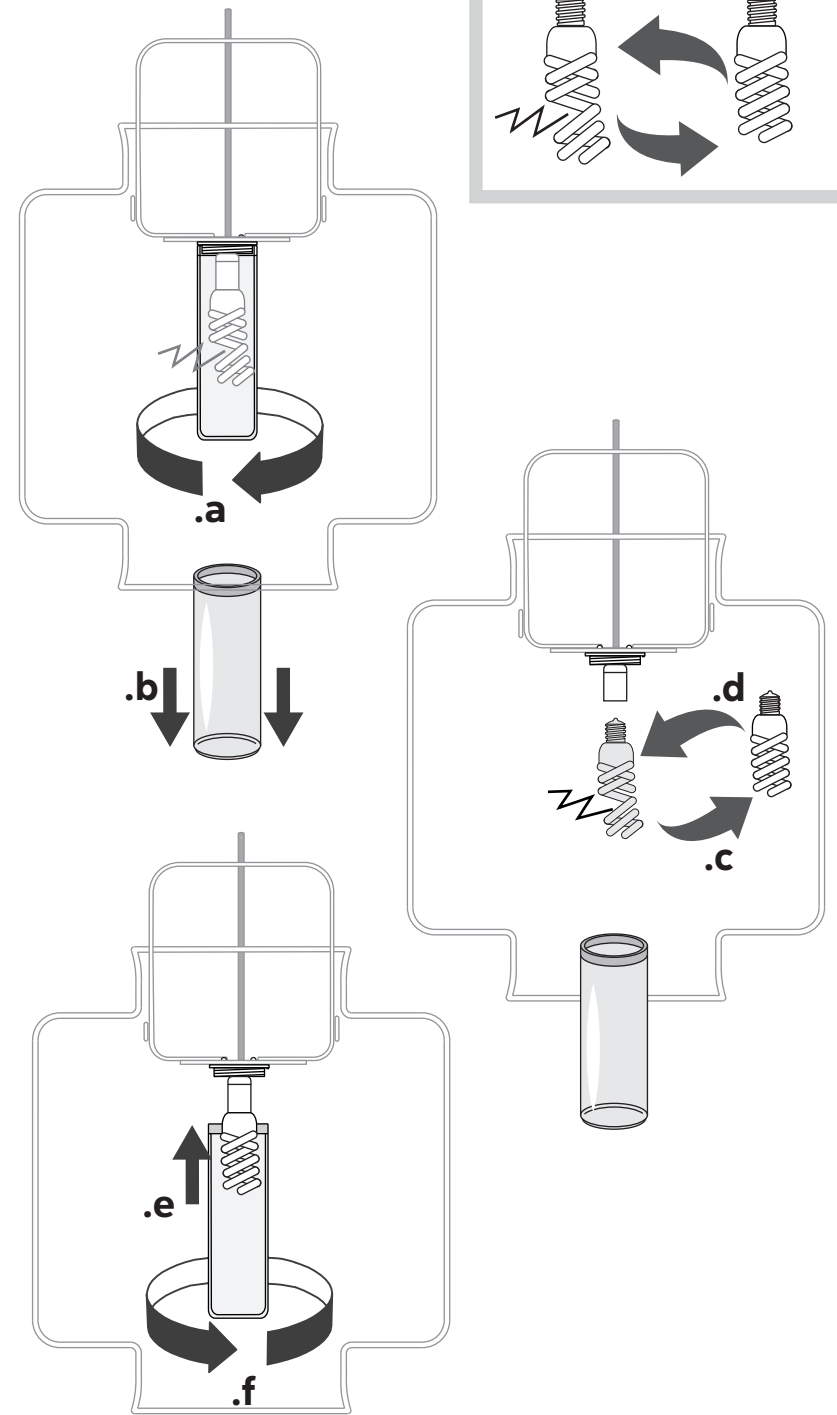


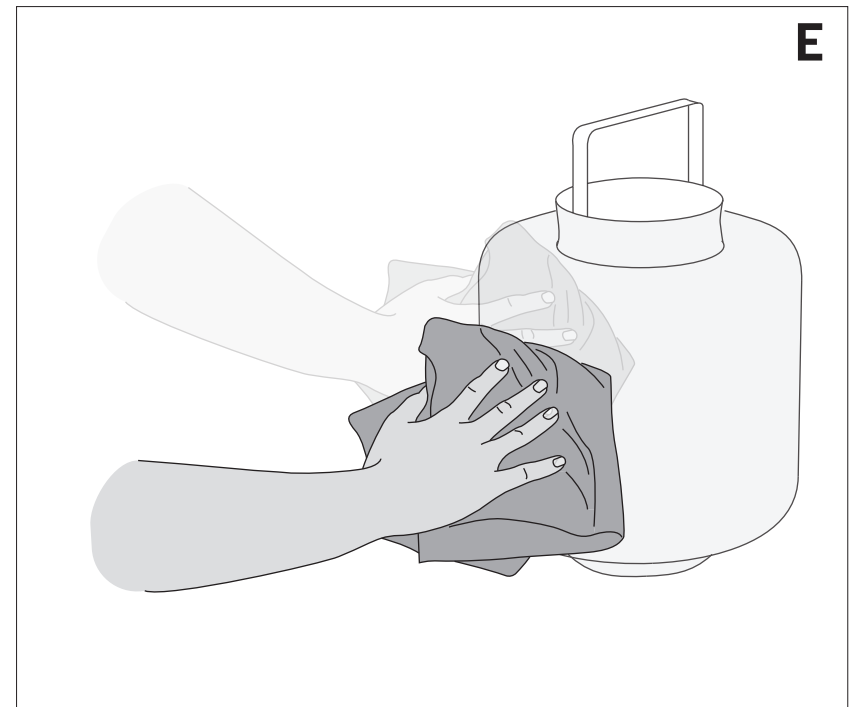
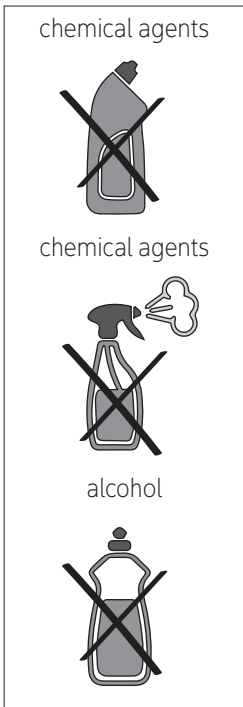
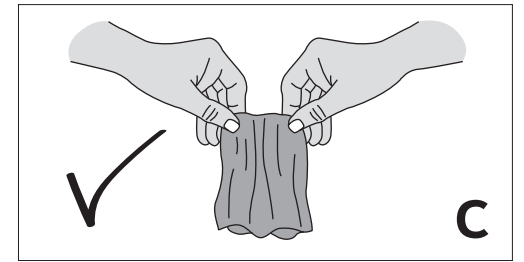
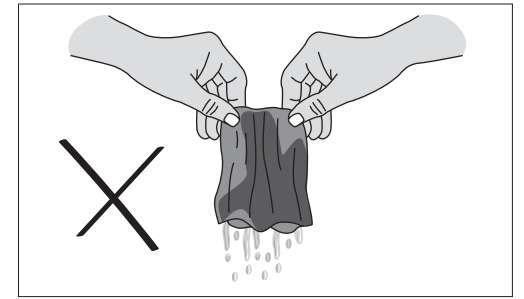
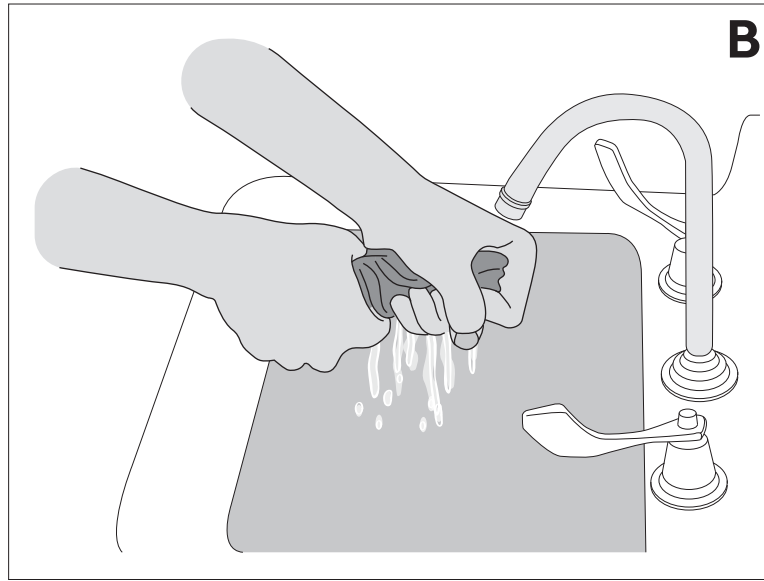






3



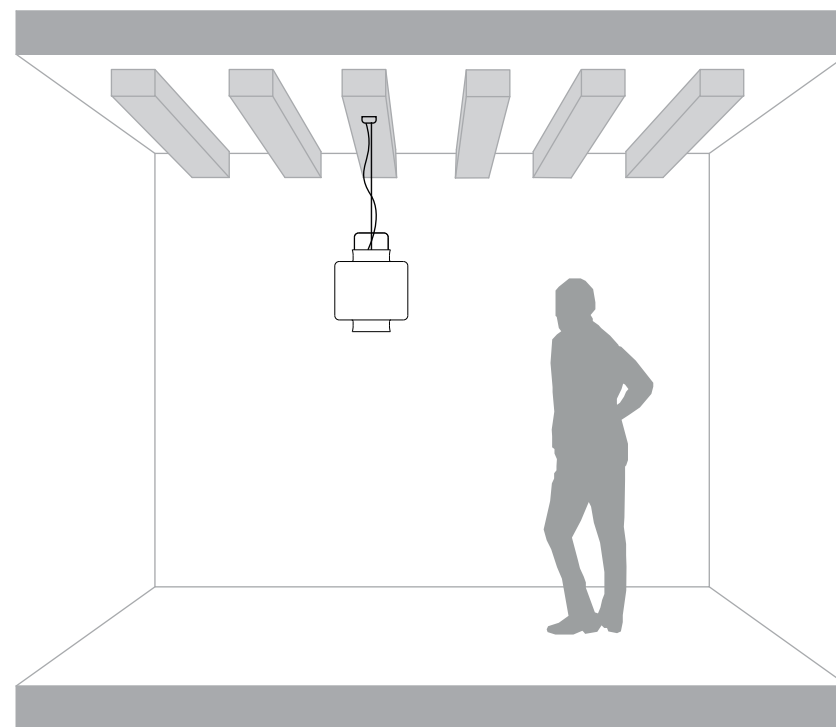


# KIMONO



**SE635V-EXT**  
**SE636V-EXT**  
optional  
**SR026 2B EXT**

**220-240 V.**  
**max 1x23W - E27**



**IP65**    **CE**

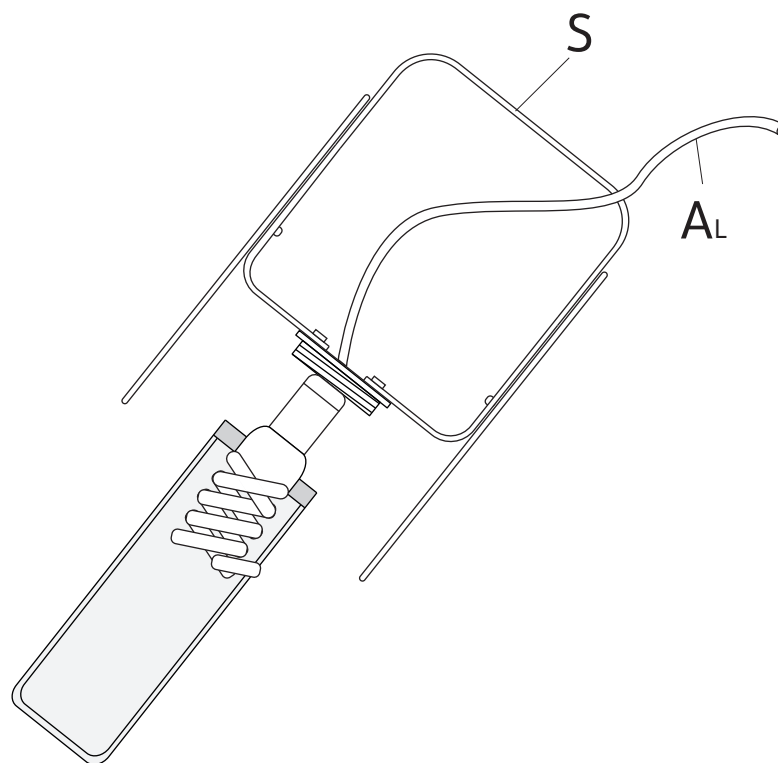
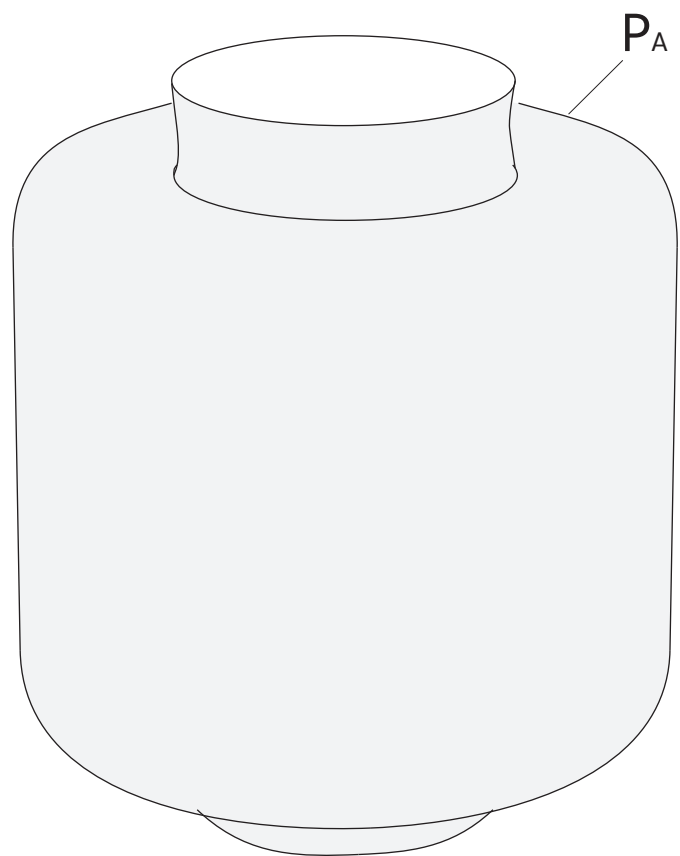
Karman srl

Via A. Grandi, San Martino del piano, 61034 Fossombrone (PU), Italy - p.iva 02175640412 tel +39 0721 71 5042 r.a fax +39 0721 716640 - [www.karmanitalia.it](http://www.karmanitalia.it)

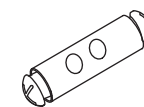




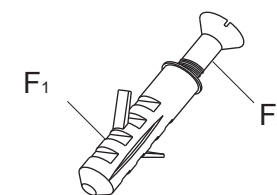
# C - 01



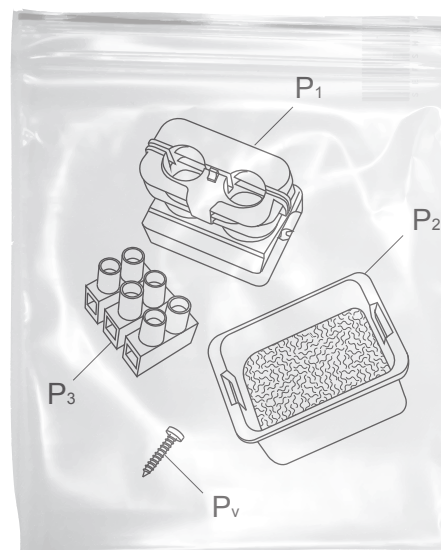
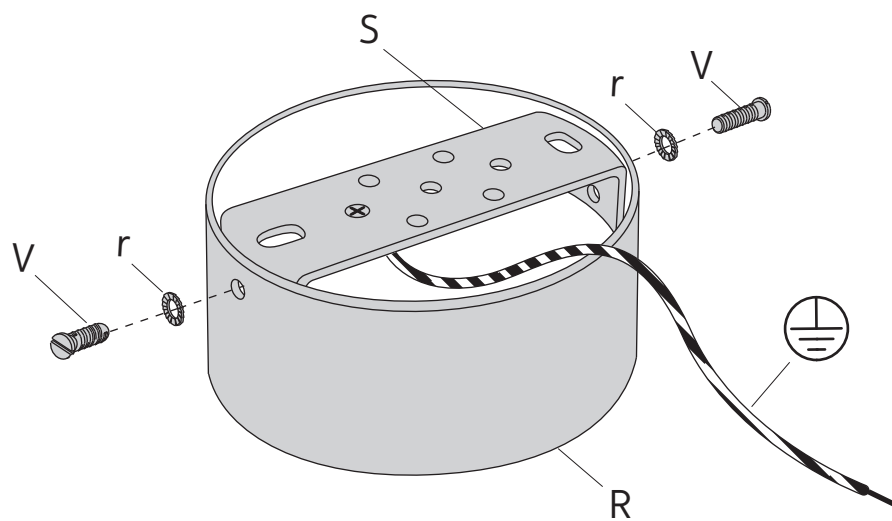
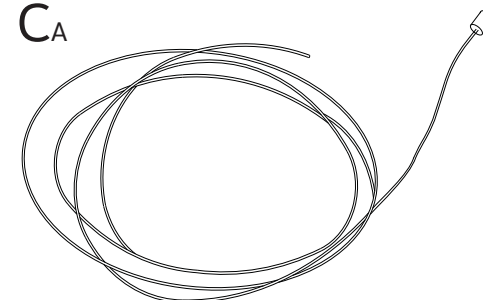
1x  $B_a$

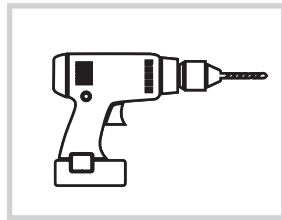
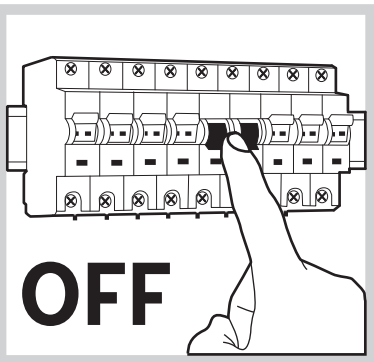


1x  $F$

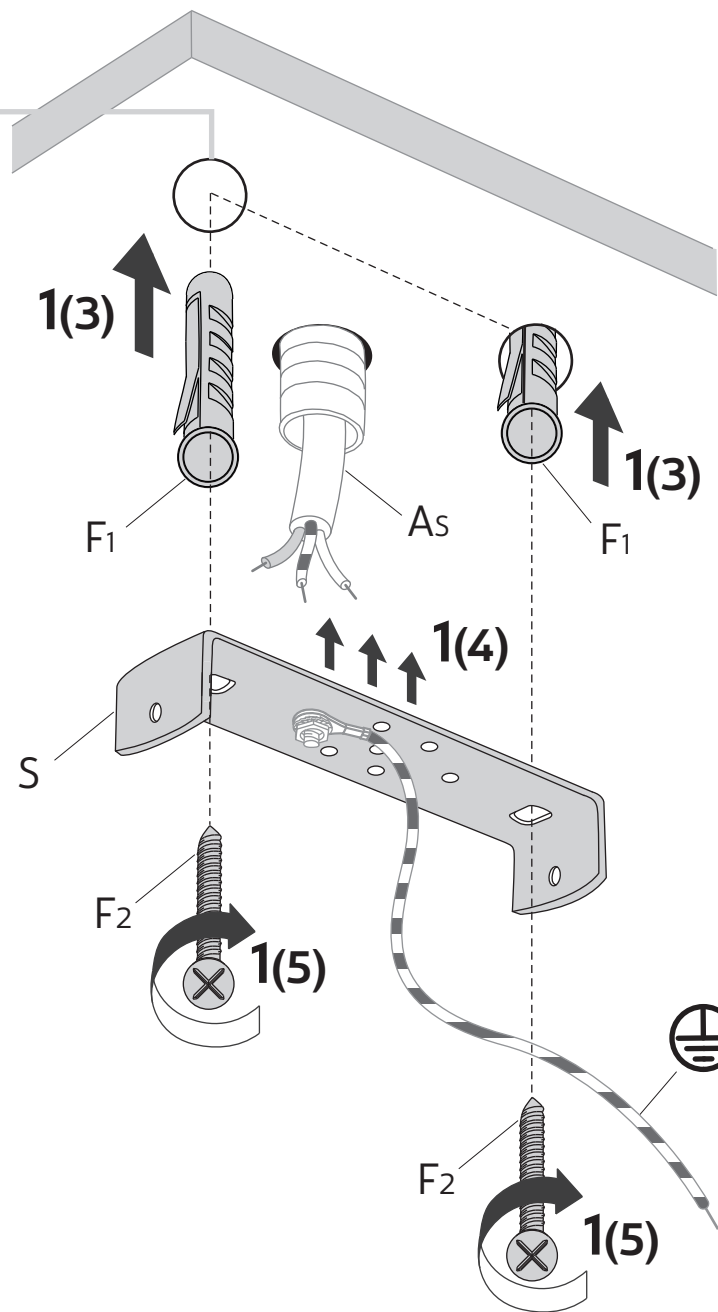
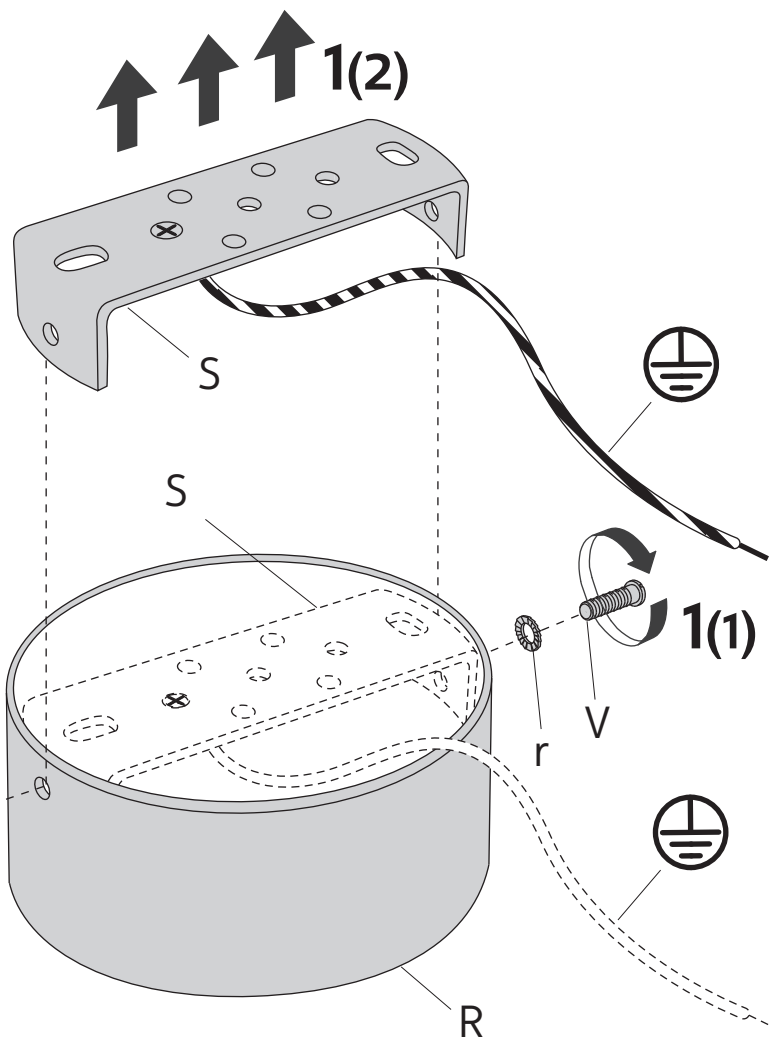
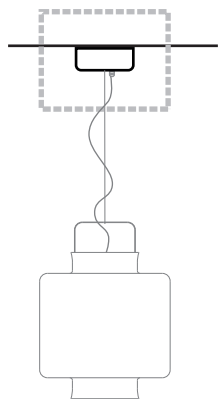


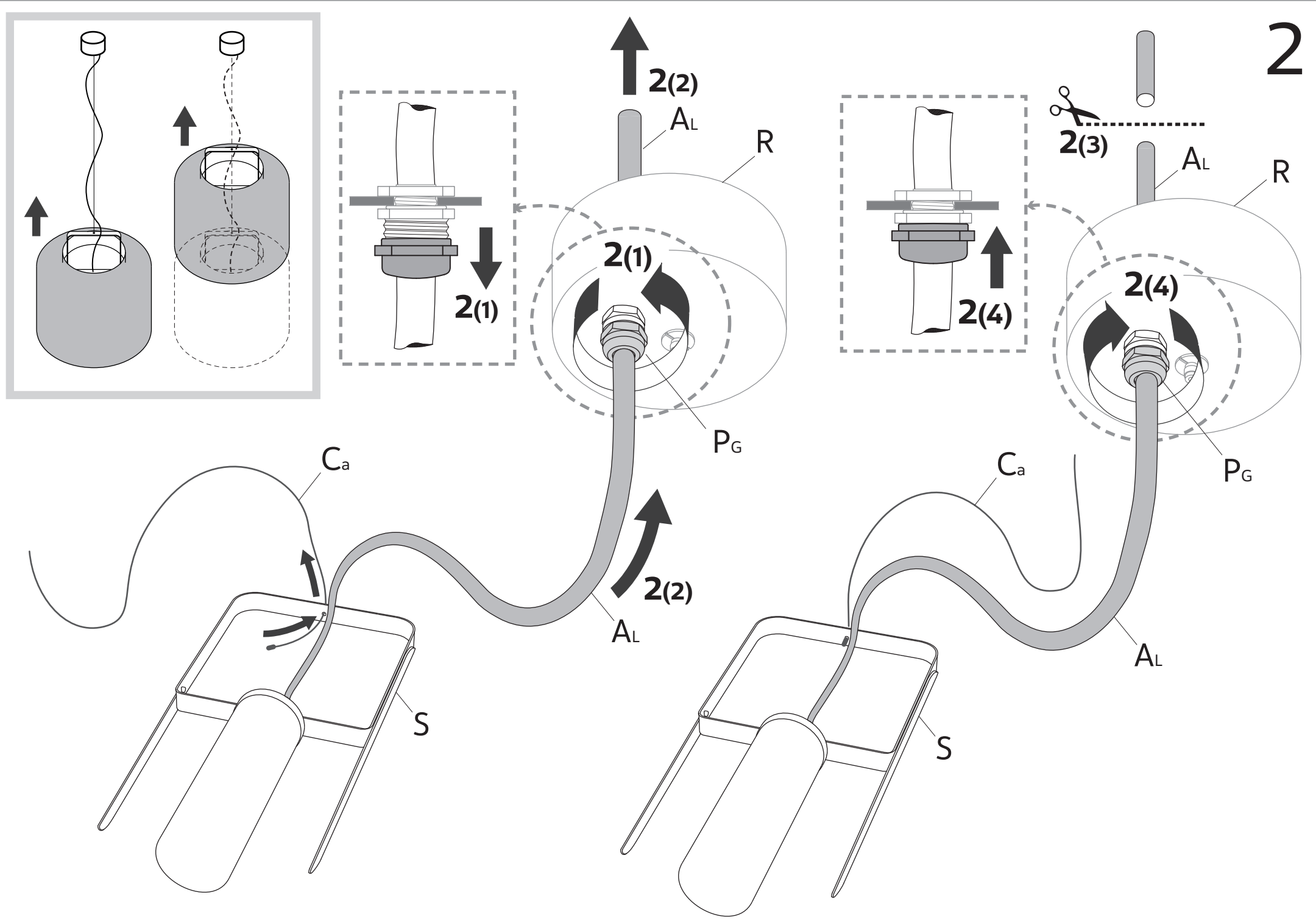
1x  $C_A$

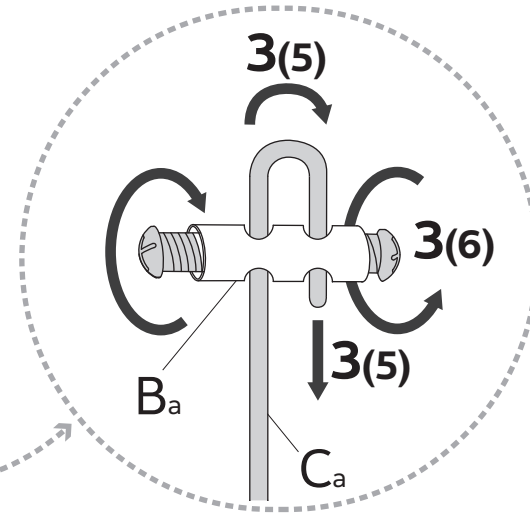
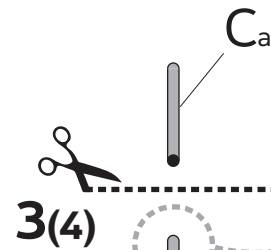
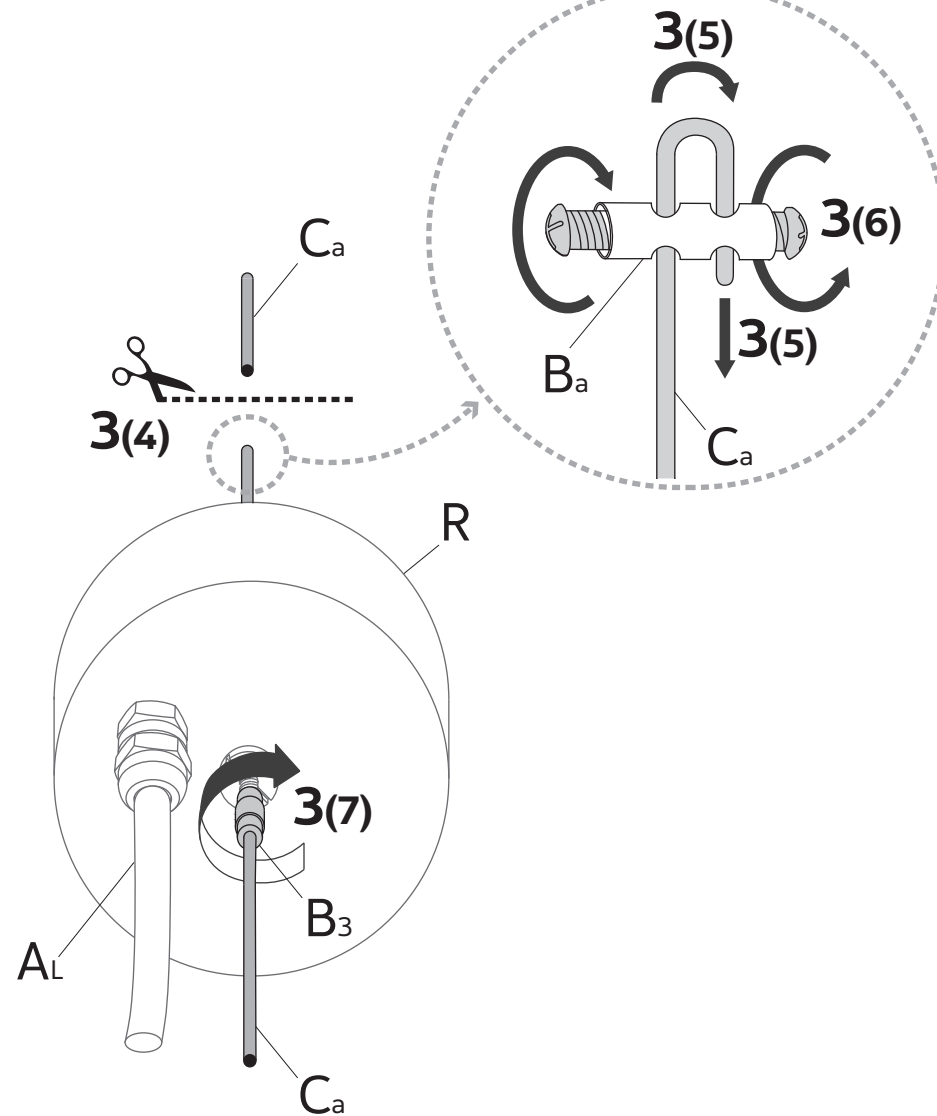
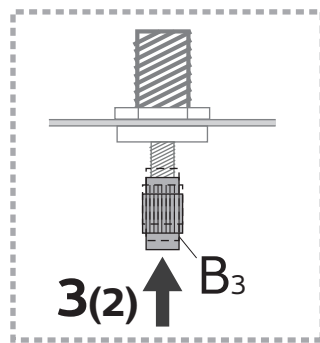
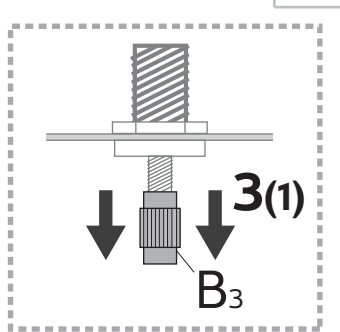
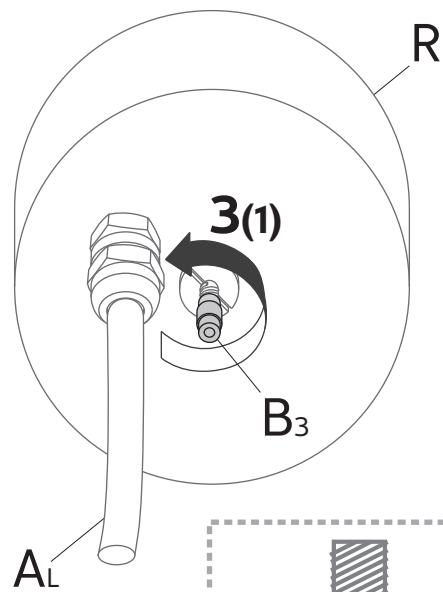
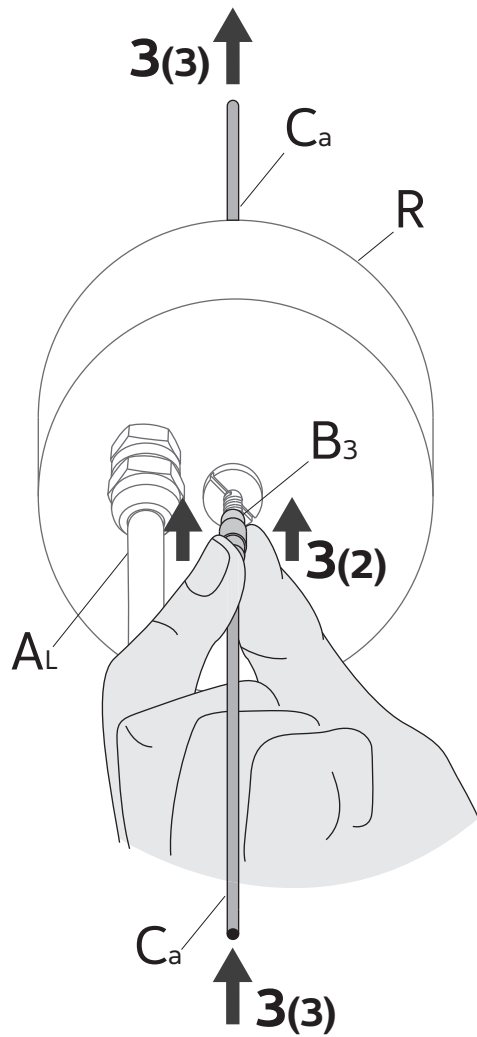
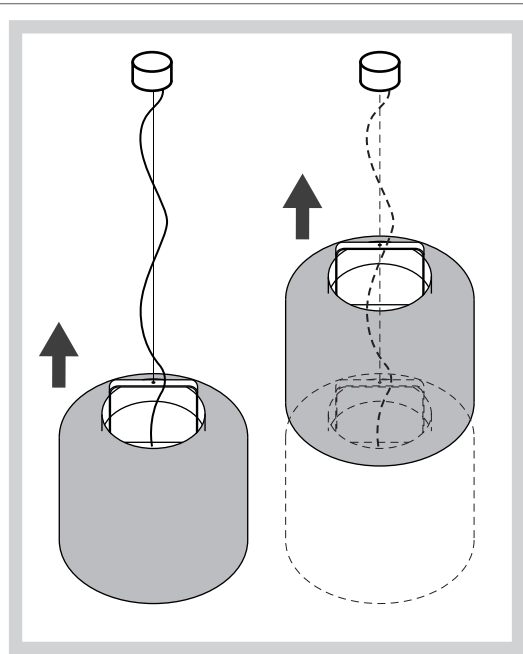




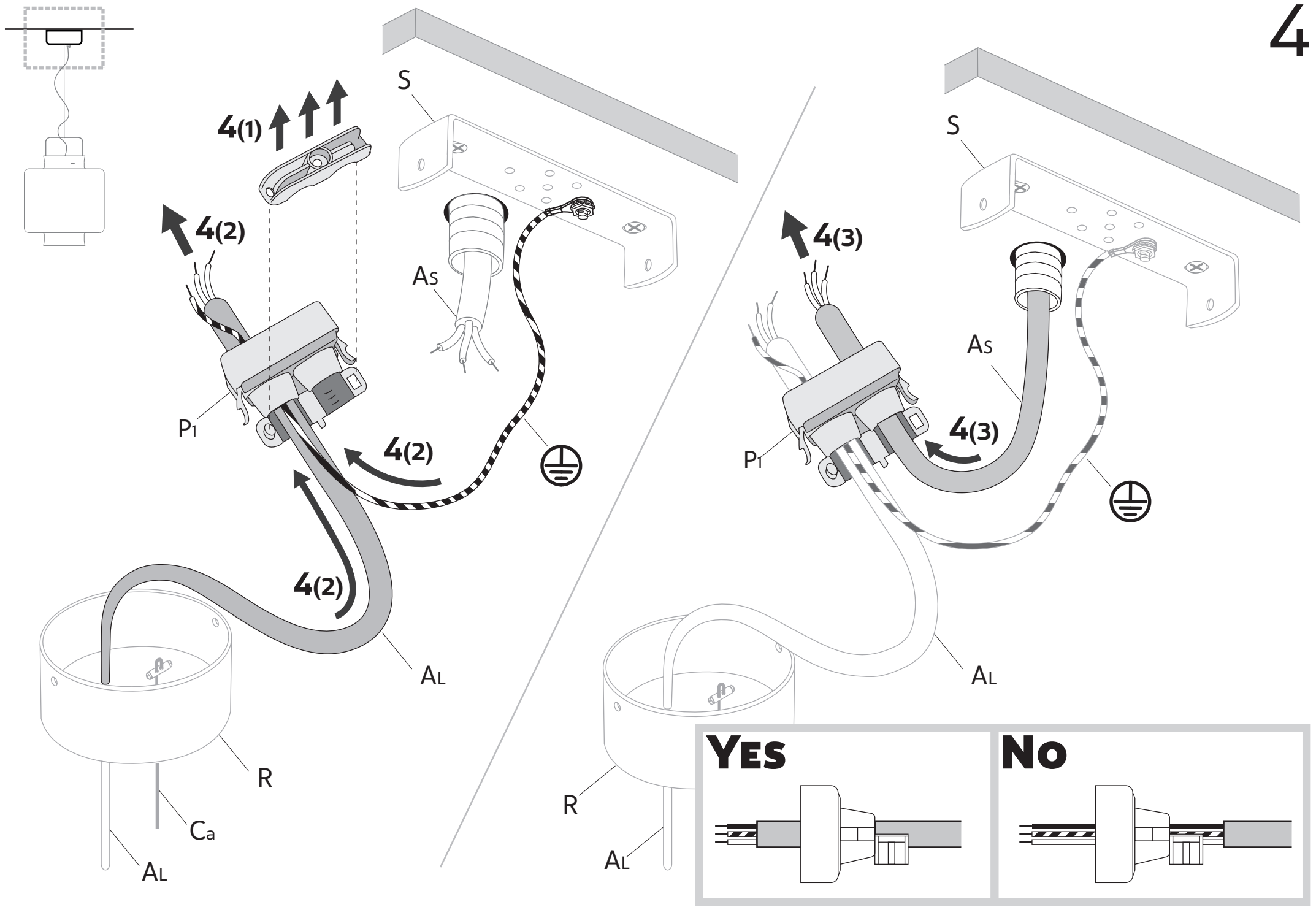
1

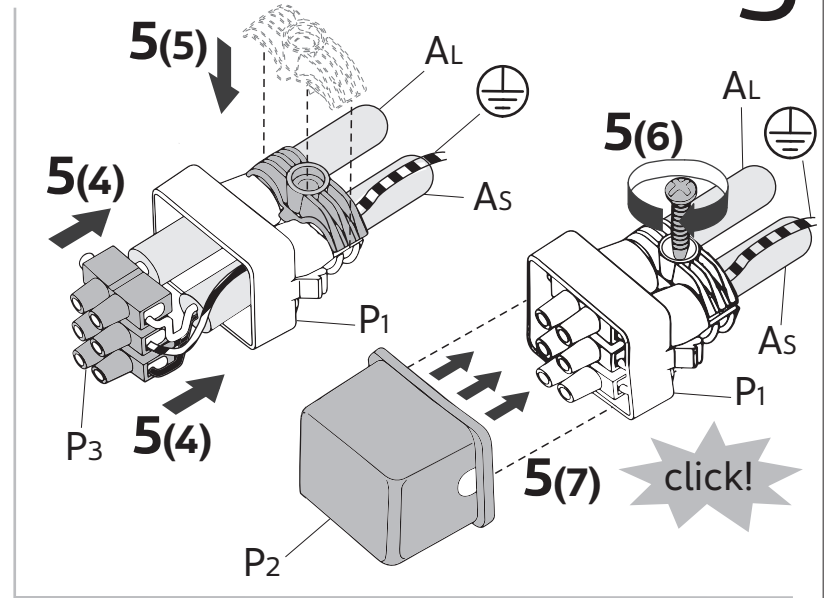
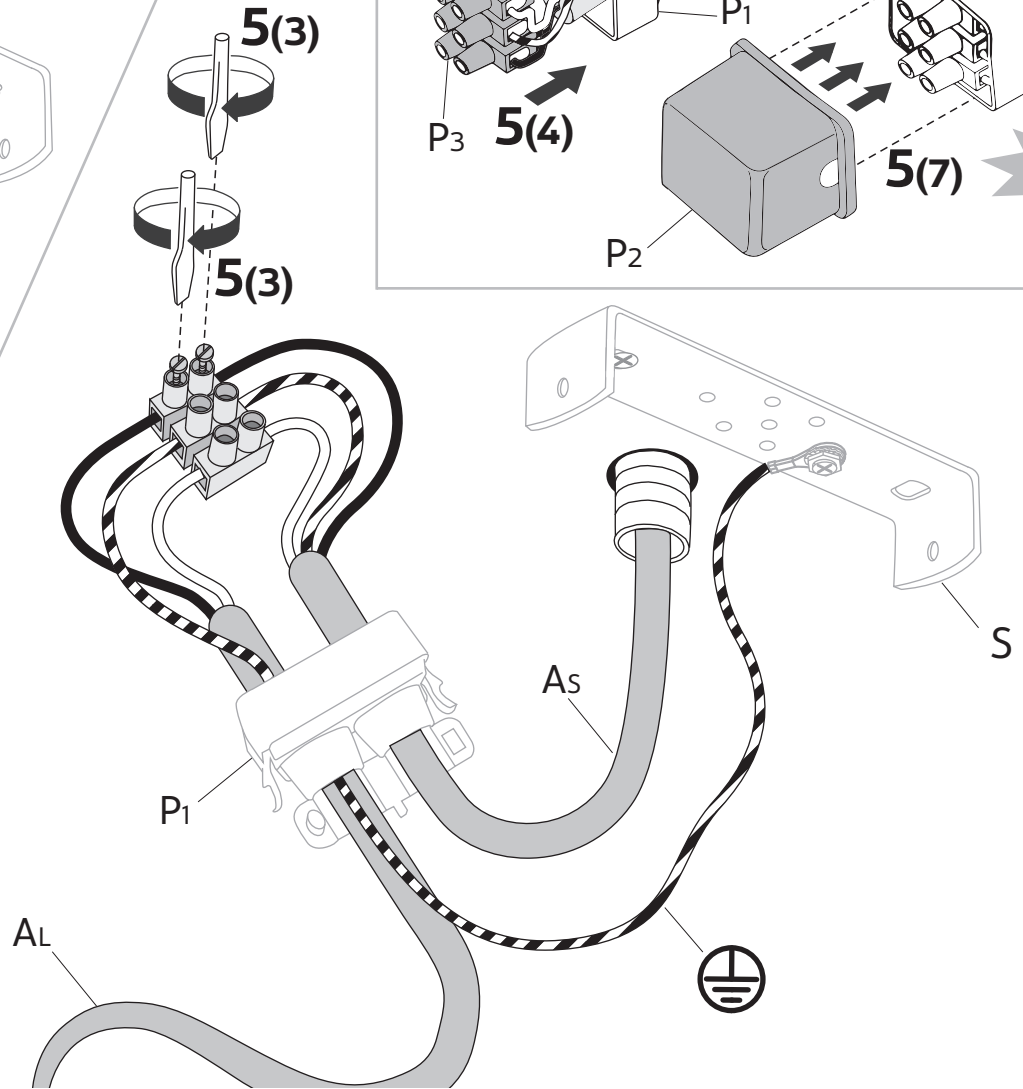
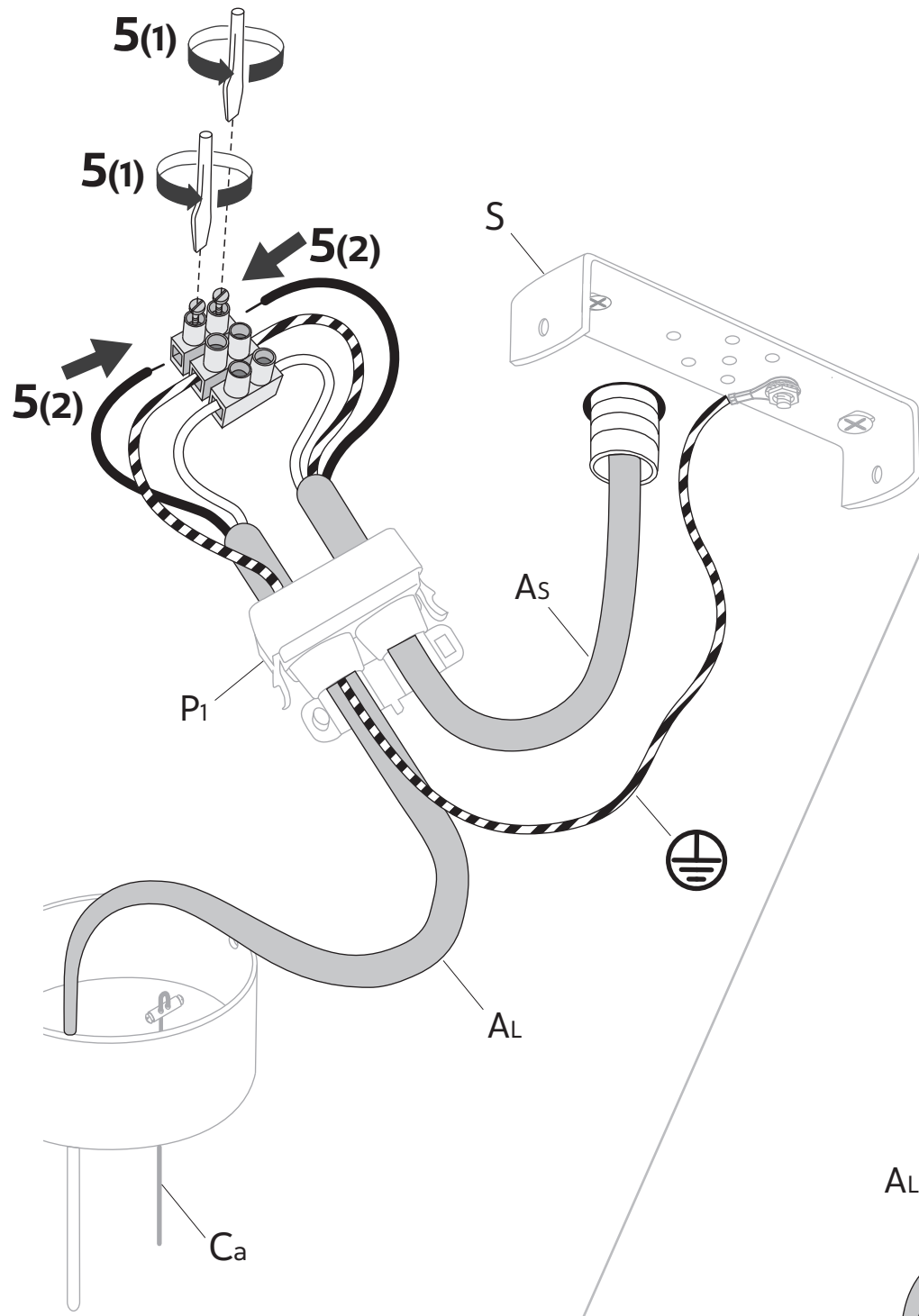


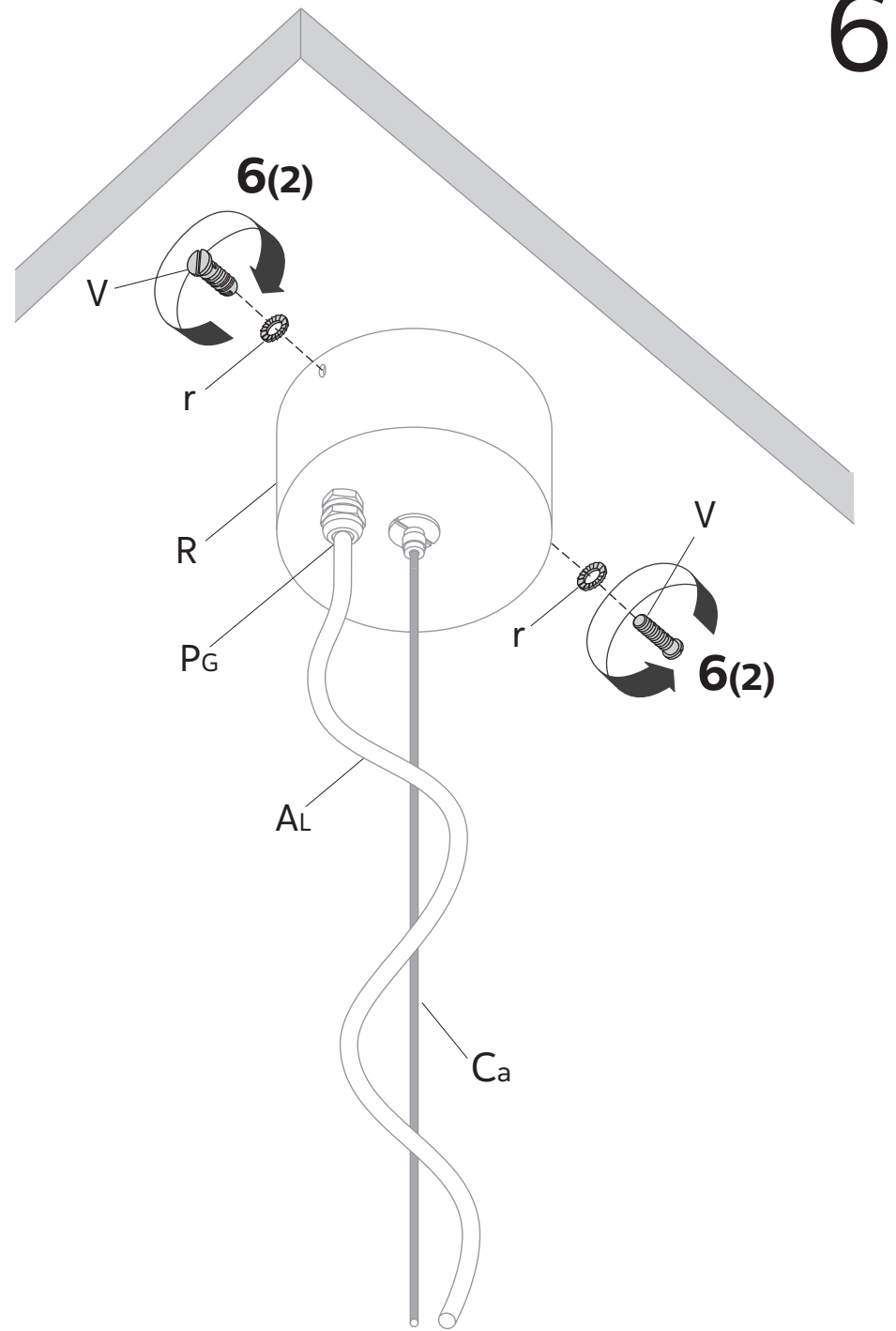
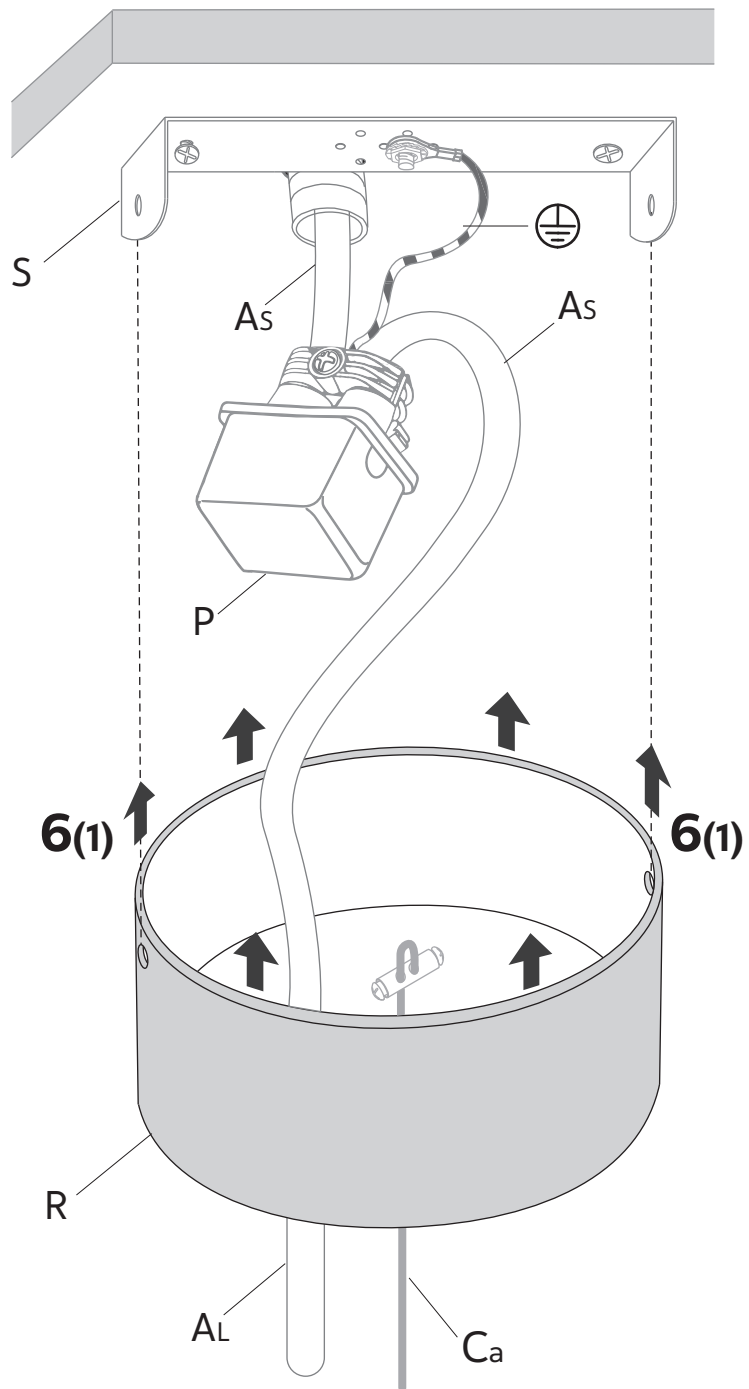
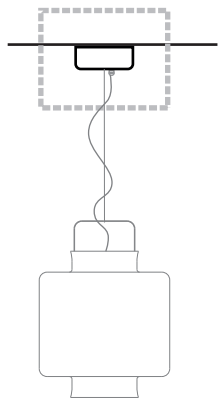




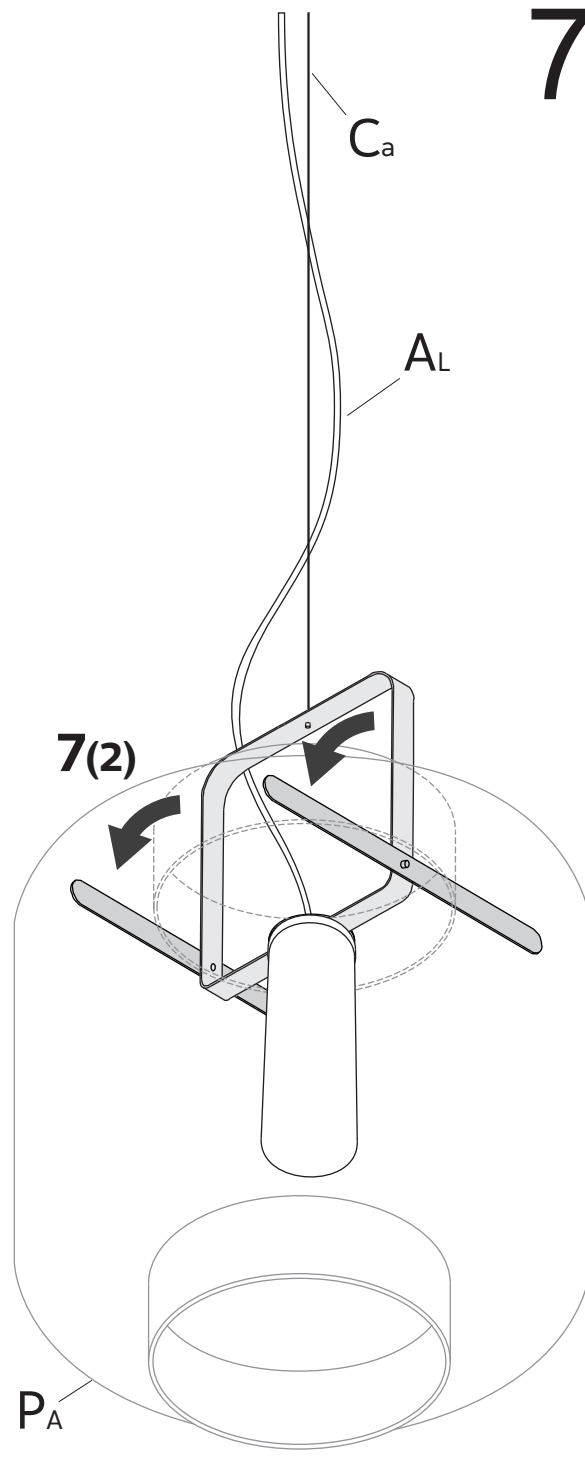
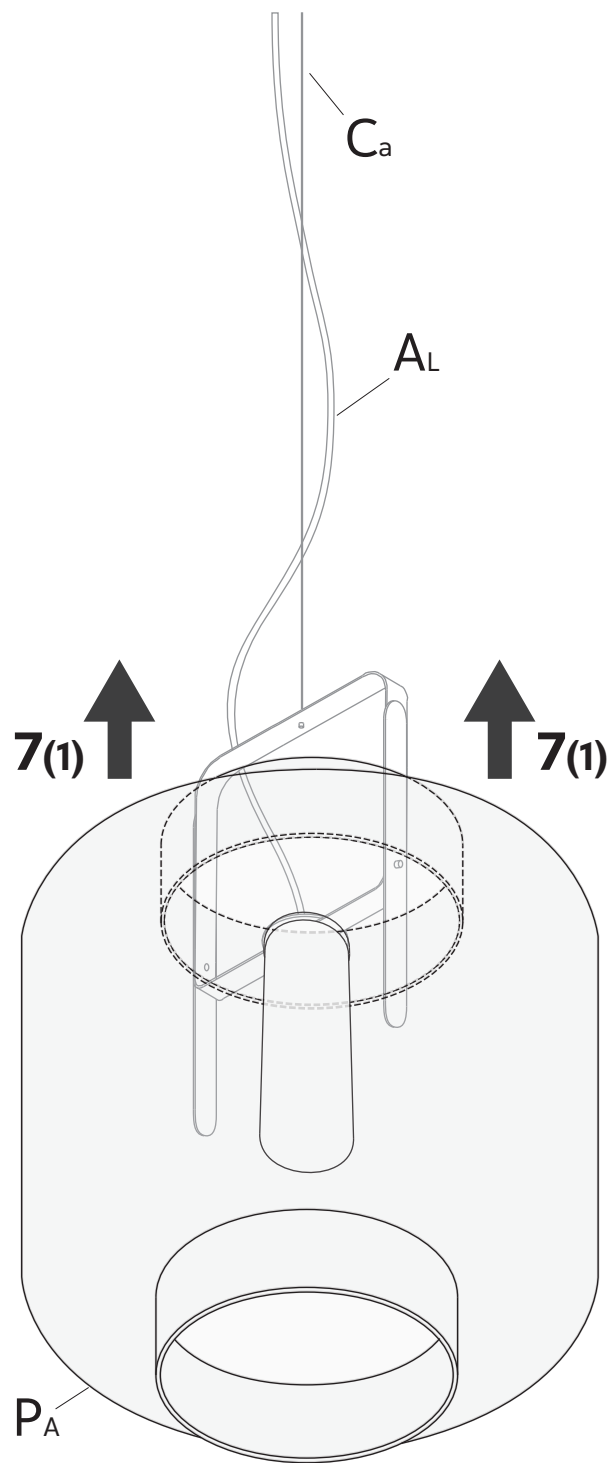
3











**7**

