

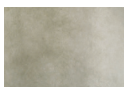
KIMONO suspension

Matteo Ugolini design


year 2012

TECHNICAL SHEET - SE635V-V1E

STRUCTURE "A"

material	fiberglass	
colour	white	

ELECTRICAL CABLE "C"

material	neoprene	
colour	green	

SUSPENSION CABLE "F"

material	steel
----------	-------

ELECTRICAL SYSTEM

socket	E26
source	max 1x18w LED
energy class	from E to A++

PACKAGING

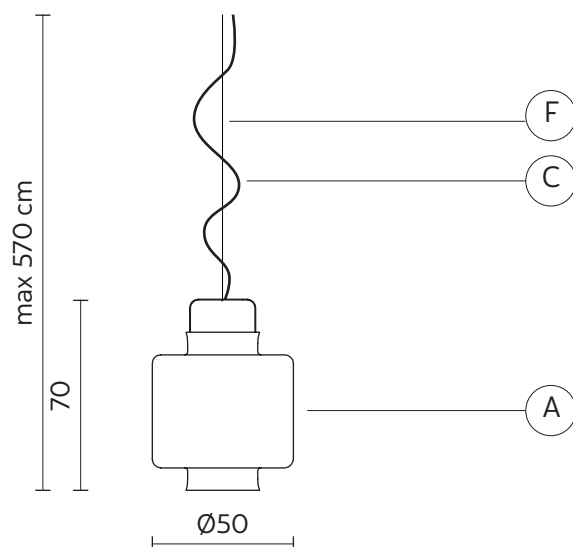
nr. of collis	1
net weight/kg	5
gross weight/kg	8,2
packaging/cm	63x63x67

EMISSION OF LIGHT

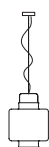
one-directional



bulb not provided



COLLECTION



SE635V-V11



SE636V-V11



SE636V-V1E