

BLACK OUT suspension

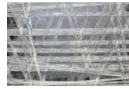
Matteo Ugolini design

year 2015

TECHNICAL SHEET - SE101 2T V11

STRUCTURE "A"

material fiberglass
colour transparent



CEILING CUP "E"

material metal
colour matt white

ELECTRICAL CABLE "C"

material PVC
colour transparent



SUSPENSION CABLE "F"

material steel

ELECTRICAL SYSTEM

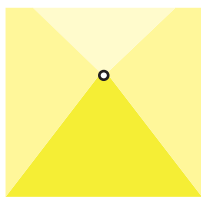
socket E26
source max 3x18w LED
energy class from E to A++

PACKAGING

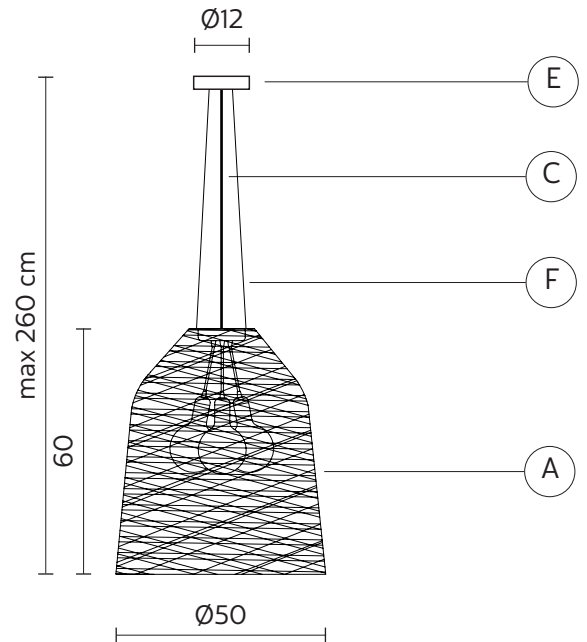
nr. of collis 1
net weight/kg 1,5
gross weight/kg 3,9
packaging/cm 60x60x70

EMISSION OF LIGHT

one-directional



■ direct
■ filtered
■ indirect
■ none



CERTIFICATION



bulb not provided

COLLECTION

available also as floor lamp



SE1012BV11



SE1011BV11



SE1011TV11



SE1012BV1E



SE1012TV1E



SE1011BV1E



SE1011TV1E