

# INSTALLATION INSTRUCTION

## 120V-277V 96W Electronic Transformer

EN-24100-277-RB2-T

# WAC LIGHTING

Responsible Lighting®

### CAUTION – TO REDUCE RISK OF FIRE AND ELECTRICAL SHOCK

- Read all instructions before installing.
- System is intended for installation by a qualified electrician in accordance with the National Electrical Code and local regulations.
- Go to the main fuse box, or circuit breaker. Place the main power switch in the "OFF" position and unscrew the fuse(s) or switch "OFF" the circuit breaker switch(es) that control the power to the fixture or room that you are working on.
- Place the wall switch in the "OFF" position.

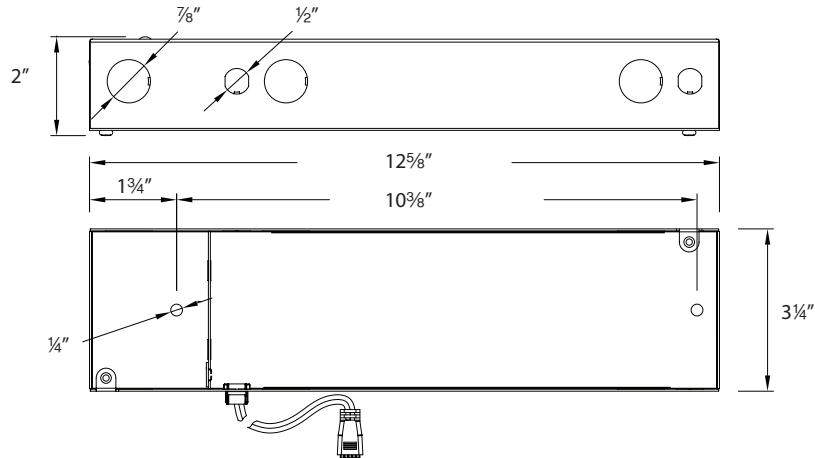
### AVERTISSEMENT:

IMPORTANT : COUPEZ L'ÉLECTRICITÉ AVANT TOUTE MANIPULATION.

- Lisez toutes les instructions avant d'installer.
- Système est destiné à être installé par un électricien qualifié en conformité avec le code national de l'électricité et les règlements locaux.
- Accédez au panneau central de disjoncteurs ou de fusibles de votre demeure et placez l'interrupteur principal en position d'arrêt (« OFF »).
- Placez l'interrupteur mural en position d'arrêt (« OFF »).

MAX LOAD	96W
MIN LOAD	1W
INPUT VOLTAGE	120-277VAC 0.95A 50/60Hz
OUTPUT VOLTAGE	24V DC 4A MAX
AMBIENT TEMP	-20°C TO 45°C (-4°F TO 113°F)

### PRODUCT DIMENSIONS:



### HARDWARE:

A1



Wire Connector  
Qty: 5pcs

B1



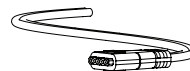
Cover Screw  
Qty: 2pcs

D1



Mounting Screw  
Qty: 2pcs

E1



24V Tape Light  
6ft Output Wire  
Qty: 1pc

F1



24V Straight Edge  
Line 6ft Output Wire  
Qty: 1extra

### WAC Lighting

www.waclighting.com

Phone (800) 526.2588 • Fax (800) 526.2585

### Headquarters/Eastern Distribution Center

44 Harbor Park Drive • Port Washington, NY 11050

Phone (516) 515.5000 • Fax (516) 515.5050

### Western Distribution Center

1750 Archibald Ave • Ontario, CA 91761

Phone (800) 526.2588 • Fax (800) 526.2585

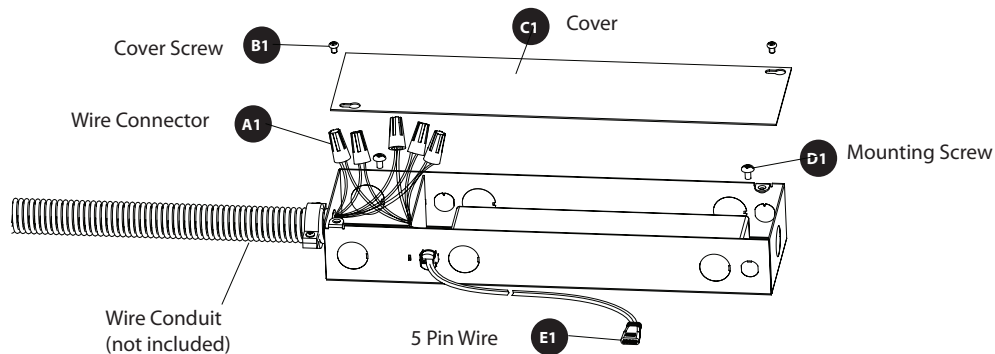
# INSTALLATION INSTRUCTION

## 120V-277V 96W Electronic Transformer

EN-24100-277-RB2-T

WAC LIGHTING  
Responsible Lighting®

Fig. 1



### FEATURES:

- Electronic short circuit, over current, over voltage, over temperature protection with auto-reset.
- Class 2, UL listed
- Suitable for damp locations
- 0-10V dimmable

### PREPARATION:

- Shut off the power at the circuit breaker.
- Carefully unpack your new fixture and lay out all the parts on a clear area. Be careful not to lose any small parts necessary for installation.
- Transformer is to be installed away from heat sources and accessible for service.

### INSTALLATION: (FIG.1)

1. Loosen two cover screws (B1) and remove the cover (C1).
2. Identify which fixture is to be used with transformer. For invisILED tapelight (LED-T24, LED-T24L, LED-TX24, LED-TE24), use with preinstalled 5 pin wire (E1).  
- For button light (HR-LED87, HR-LED90), cut off 5 pin plug end of the preinstalled wire (E1) for splicing leads to button lights.  
- For Straight Edge (LS-LED) and Line (LN-LED), replace 5 pin wire (E1) with Straight Edge / Line wire provided (F1).
3. Secure transformer to suitable mounting surface using mounting screws (D1).

### CONNECT THE WIRES: (FIG.2)

4. Remove appropriate power feed knockout in transformer box.
5. Bring building wires into knockout using cable connector.
6. Connect the electrical wires as shown in **Fig. 2**, making sure that all wire connectors (A1) are secured. To utilize 0-10V dimming, wire brown (dim+), blue (dim-), black (line hot), white (line neutral) in accordance to dimmer specifications. Green fixture wire to ground as shown in **Fig. 3**.
7. Secure the cover (C1) by tightening the two screws (B1).
8. Connect compatible fixture(s) to output wires of transformer following fixture instructions.

Fig. 2

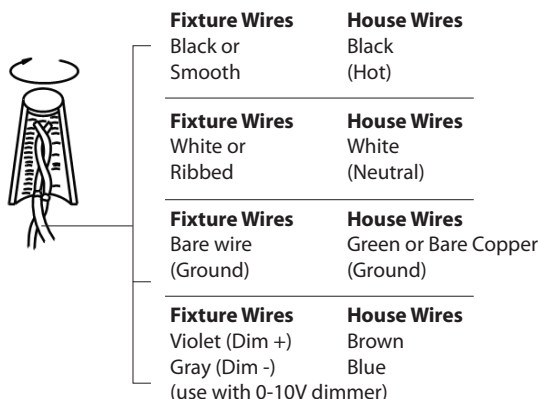
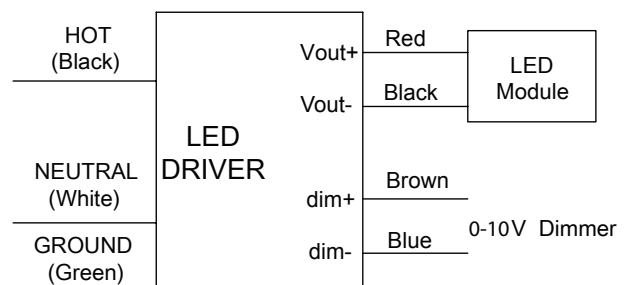


Fig. 3



WAC Lighting  
www.waclighting.com  
Phone (800) 526.2588 • Fax (800) 526.2585

Headquarters/Eastern Distribution Center  
44 Harbor Park Drive • Port Washington, NY 11050  
Phone (516) 515.5000 • Fax (516) 515.5050

Western Distribution Center  
1750 Archibald Ave • Ontario, CA 91761  
Phone (800) 526.2588 • Fax (800) 526.2585