

INSTALLATION INSTRUCTION

Class 2 Power Supply

EN-2460D-C

WAC LIGHTING

Responsible Lighting®

CAUTION – TO REDUCE RISK OF FIRE AND ELECTRICAL SHOCK

- Always turn off power at main switch prior to installation.
- Intended for installation by a qualified electrician.
- System is intended for installation in accordance with National Electric Code, and local regulations. Consult with local inspector to assure compliance.

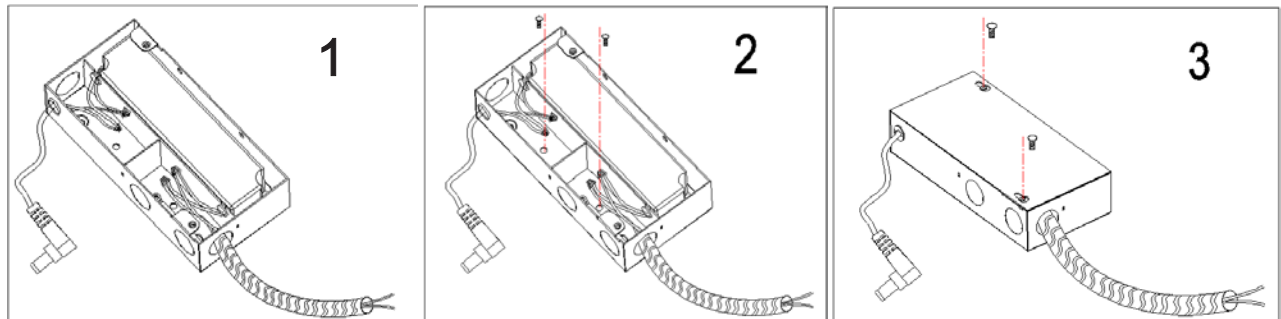
Max Load	60W
Input Voltage	120-240V 60Hz
Input Current	1.2A
Output Current	2.5A
Output Voltage	24V DC
Case Temp	40°C to 55°C
Ambient Temp	-4° to 122°F (-30°C to 70°C)
Minimum Load	1.5W

FEATURES:

- Power Supply short circuit protection with auto-reset.
- Overload protection with auto-reset.
- Automatic thermal regulation.
- Soft start delay to preserve LED life; for use with the LED-TC-CTR-MSD.

INSTALLATION

- DC power supply must be installed away from heat sources and accessible for service
- Enclosed DC power supply is UL listed. The power supply box has separate line voltage and low voltage wiring compartments with trade size knock outs provided. Connect the building's Neutral wire to the power supply's Blue wire and the Hot wire to the power supply's Brown wire. The building's ground wire may be Green or Uninsulated (Bare) and can be connected to the power supply's Green wire.



WAC Lighting
www.waclighting.com
Phone (800) 526.2588 • Fax (800) 526.2585

Headquarters/Eastern Distribution Center
44 Harbor Park Drive • Port Washington, NY 11050
Phone (516) 515.5000 • Fax (516) 515.5050

Western Distribution Center
1750 Archibald Ave • Ontario, CA 91761
Phone (800) 526.2588 • Fax (800) 526.2585