

INSTALLATION INSTRUCTION
Impulse 23W LEDme® Track Luminaires
H-LED820, L-LED820, J-LED820

WAC LIGHTING
Responsible Lighting®

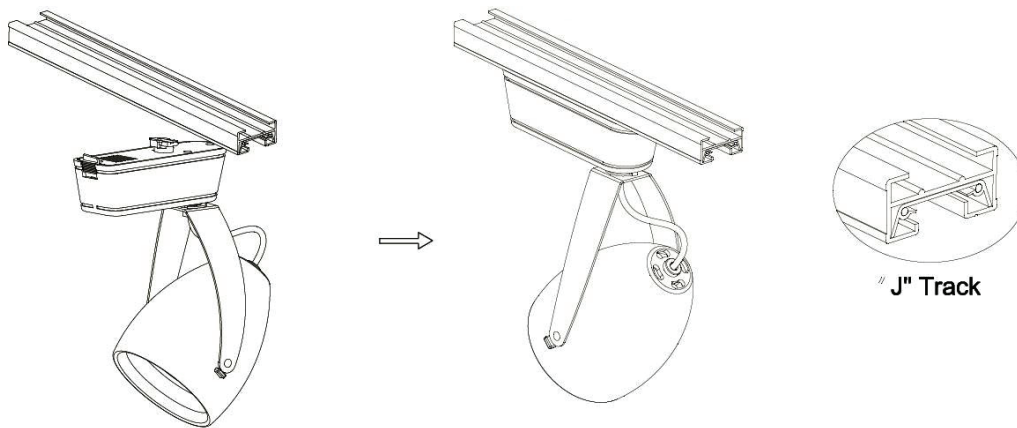
CAUTION

- For Use with WAC "J", "J2", "L", & "H" track systems. Fixture may also be used on other manufacturers' brands of track.
(Consult factory for compatibility)
- Read all instructions before installing.

Installation On Track:

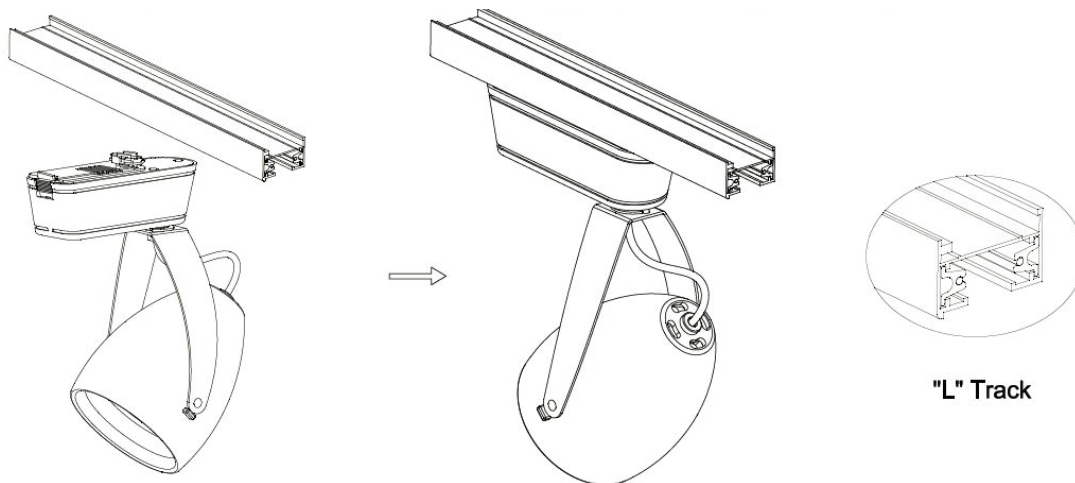
Fixture Installation for J-LED820

1. Fixtures are designed for use on "J" series WAC Lighting track only. They may also be used on other manufacturers' brands of track. (Consult factory for compatibility)
Note: The track has a groove running its length to indicate polarity, and the locking tab has an arrow indicating locking direction.
2. Insert adapter into track slot and rotate it 90°. The arrow should point to the grooved side of the track.
3. Make sure the locking tab seats properly on the track slot.
4. Reverse procedure to remove. Track heads may be positioned anywhere along the track.



FIXTURE INSTALLATION FOR L-LED820

1. Fixtures are designed for use on "L" series WAC Lighting track only. They may also be used on other manufacturers' brands of track. (Consult factory for compatibility)
Note: The track has a ridge running its length to indicate polarity, and the locking tab has a slant for easy installation.
2. Insert adapter into track slot and rotate it 90° so that the low side of the locking tab faces the ridged side of the track.
3. Make sure the locking tabs seat properly in the track slot.
4. Reverse procedure to remove. Track heads may be positioned anywhere along the track.



WAC Lighting
www.waclighting.com
Phone (800) 526.2588 • Fax (800) 526.2585

Headquarters/Eastern Distribution Center
44 Harbor Park Drive • Port Washington, NY 11050
Phone (516) 515.5000 • Fax (516) 515.5050

Western Distribution Center
1750 Archibald Ave • Ontario, CA 91761
Phone (800) 526.2588 • Fax (800) 526.2585

INSTALLATION INSTRUCTION

Impulse 23W LEDme® Track Luminaires

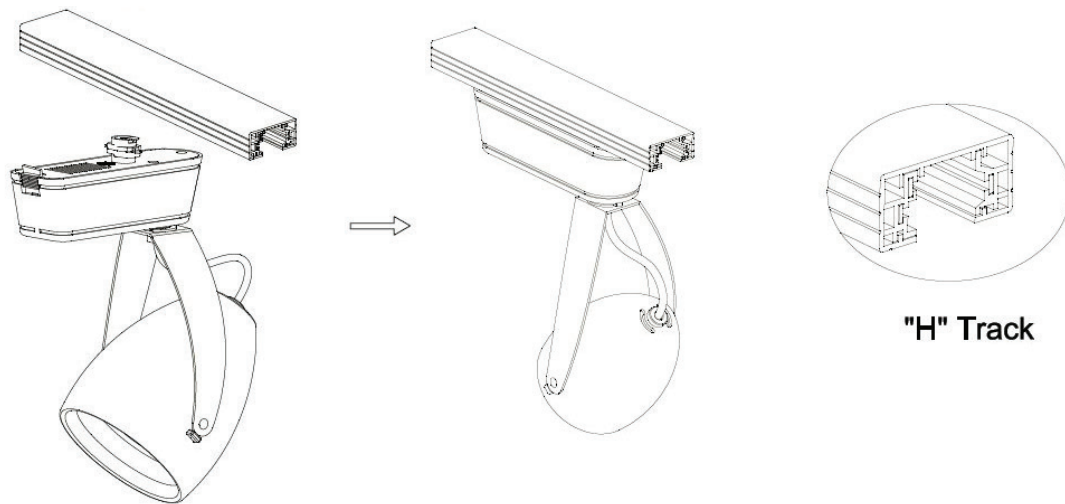
H-LED820, L-LED820, J-LED820

WAC LIGHTING

Responsible Lighting®

FIXTURE INSTALLATION FOR H-LED820

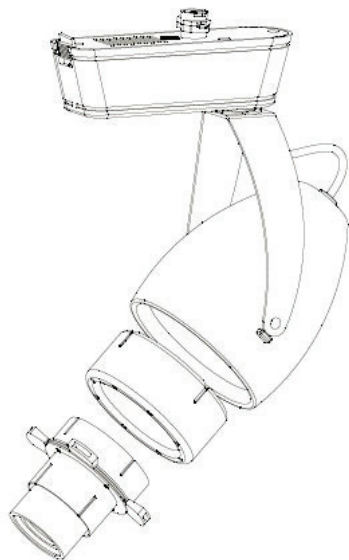
1. Fixtures are designed for use on "H" series WAC Lighting track only. They may also be used on other manufacturers' brands of track. (Consult factory for compatibility)
Note: The track has a groove running its length to indicate polarity, and the locking tab has contacts which are inserted into this groove.
2. The two contacts should be positioned so that when rotated, they will face the grooved side of the track.
(This is the side with two flat copper wires running its length)
3. Insert adapter into track slot. Pull downward on the adapter while rotating the adapter 90°.
4. Release the adapter so the locking tab sits in the track slot.
5. Reverse procedure to remove. Track heads may be positioned anywhere along the track.



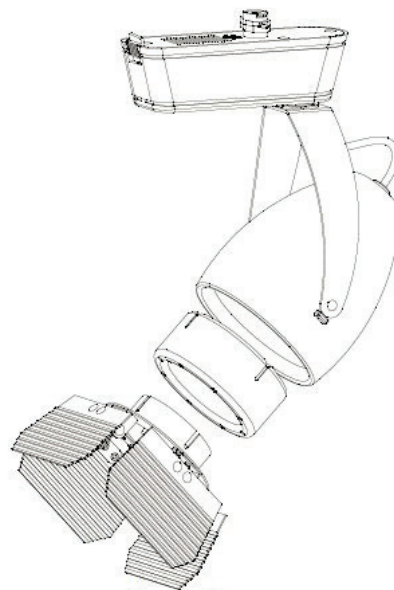
FRAMING PROJECTOR AND BARN DOORS (ORDERED SEPARATELY)

INSTALLING FRAMING PROJECTOR OR BARN DOORS

1. These accessories are simply press-fitted by hand into the front of the fixture. Lens should be installed prior.



Framing Projector



Barn Doors

WAC Lighting
www.waclighting.com
Phone (800) 526.2588 • Fax (800) 526.2585

Headquarters/Eastern Distribution Center
44 Harbor Park Drive • Port Washington, NY 11050
Phone (516) 515.5000 • Fax (516) 515.5050

Western Distribution Center
1750 Archibald Ave • Ontario, CA 91761
Phone (800) 526.2588 • Fax (800) 526.2585