

Assembly & Installation Instructions

A493

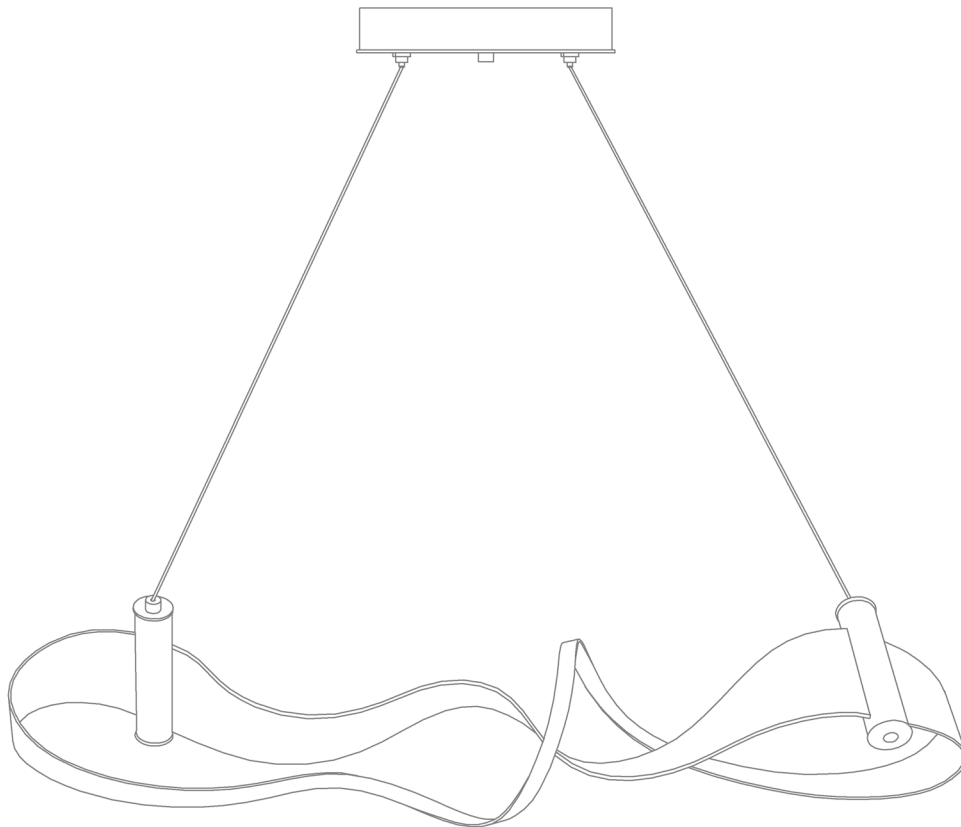
Zephyr Pendant 139833D

Page 1 of 4

CAUTION: FAILURE TO INSTALL THIS FIXTURE PROPERLY MAY RESULT IN SERIOUS PERSONAL INJURY OR DEATH AND PROPERTY DAMAGE. We recommend installation by a licensed electrician. This product must be installed in accordance with applicable installation code(s), by a person familiar with the construction and operation of the product and the hazards involved.*

Caution: Do not exceed maximum wattage noted on fixture. Use only recommended bulbs with fixture.

Please Note: After installation extra hardware and accessories are possible due to our kits are used on multiple products and options.



Component Parts

A	Crossbar
B	Canopy
C	Center Knob
D	Gripper (2)
E	Supply/Support Cable (2)
F	Fixture
G	Anchors (7)
H	#10 Screws (7)
I	Safety Cable
J	#8 Screw
K	Ground Screw
L	Cupped Washer
M	Nipple

Assembly & Installation Instructions

A493

Zephyr Pendant 139833D

Page 3 of 4

To Install Fixture (Figure 1 - ON FOLLOWING PAGE)

CAUTION: BE SURE POWER IS OFF AT THE MAIN BREAKER BOX PRIOR TO INSTALLATION.

1. Carefully unpack the fixture from the carton.
2. Crossbar (A) is shipped installed in canopy (B). Remove center knob (C) to separate crossbar (A) and canopy (B). Retain for use later.
3. Height of fixture (F) can be set prior to attaching fixture (F) to the ceiling.
Note: Fixture is shipped at max height.
4. Loosen safety nut on canopy gripper (D). It is not necessary to completely remove.
5. Push supply/support cable (E) into canopy gripper (D) until desired height is reached. Repeat for remaining supply/support cable (E).
6. Retighten safety nuts on canopy grippers (D).
7. Center the crossbar (A) over the electrical box. With a pencil, mark the location of all mounting holes in the crossbar on the ceiling.
8. Put the crossbar (A) down. If using only the #10 screws (H), drill 1/8" holes in locations marked on ceiling. If using anchors (G) and screws (H), drill 1/4" holes in the locations marked on the ceiling. Place the tapered end of the anchors (G) into the holes and gently tap them flush to the ceiling using a light weight hammer.
9. Thread the wires in the electrical box through the center hole in the crossbar (A) while moving it into position. Using the #10 screws (H), screw the crossbar (A) securely to the ceiling. Be careful not to over-tighten or strip the anchors (G).
10. Raise canopy (B) close to crossbar (A). Attach safety cable (I) to crossbar (A) using the #8 screw (J), from mounting kit, to temporarily support fixture (F) while wiring.
11. Using suitable wire connectors (not provided) connect fixture wires to supply wires (white to white, black to black). Attach a pigtail lead to ground screw (K) and cupped washer (L). Connect all ground wires (bare copper or green to bare copper or green). Ground screw (K) and cupped washer (L) are shipped in the mounting kit bag.
Caution: Make sure wire connectors are twisted on securely, and no bare wire is exposed.
12. Slide canopy (B) over nipple (M) and secure with center knob (C).
Be sure not to catch any wires when sliding canopy (B) over nipple (M).
Be sure no wires are pinched between the canopy (B) and the ceiling.
13. If fixture (F) needs to be lowered to achieve desired height, loosen safety nut, push up on canopy gripper (D) and gently pull down on supply/support cable (E).
14. Restore electricity at main breaker.

Assembly & Installation Instructions

Zephyr Pendant 139833D

A493

Page 4 of 4

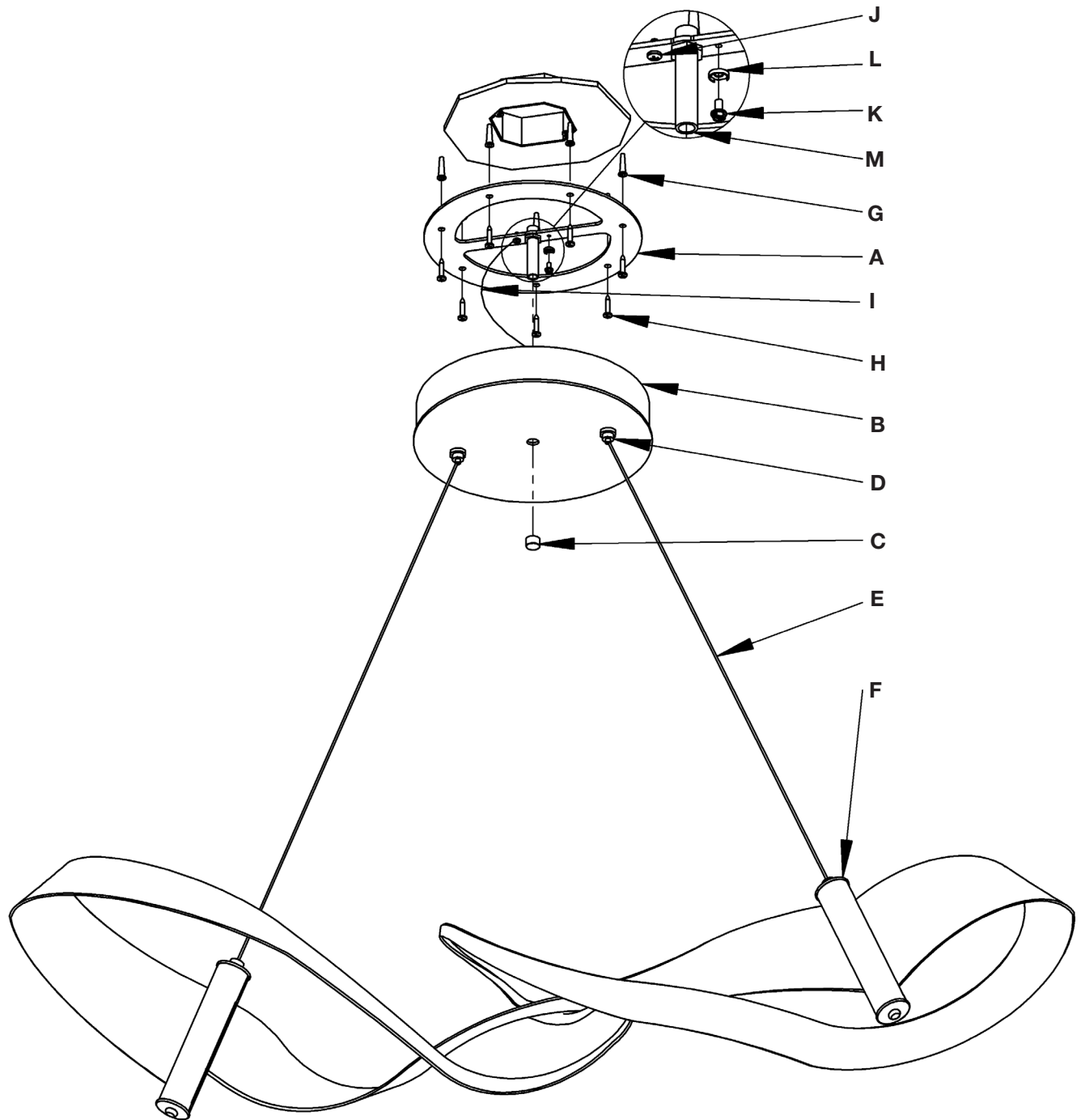


FIGURE 1

If you need further assistance, or find that you are missing any parts, please contact the dealer from which you purchased this product. We hope you enjoy your fixture!

***Hubbardton Forge will not be liable for injury or damage caused by improper installation, lamping or use of this fixture.**