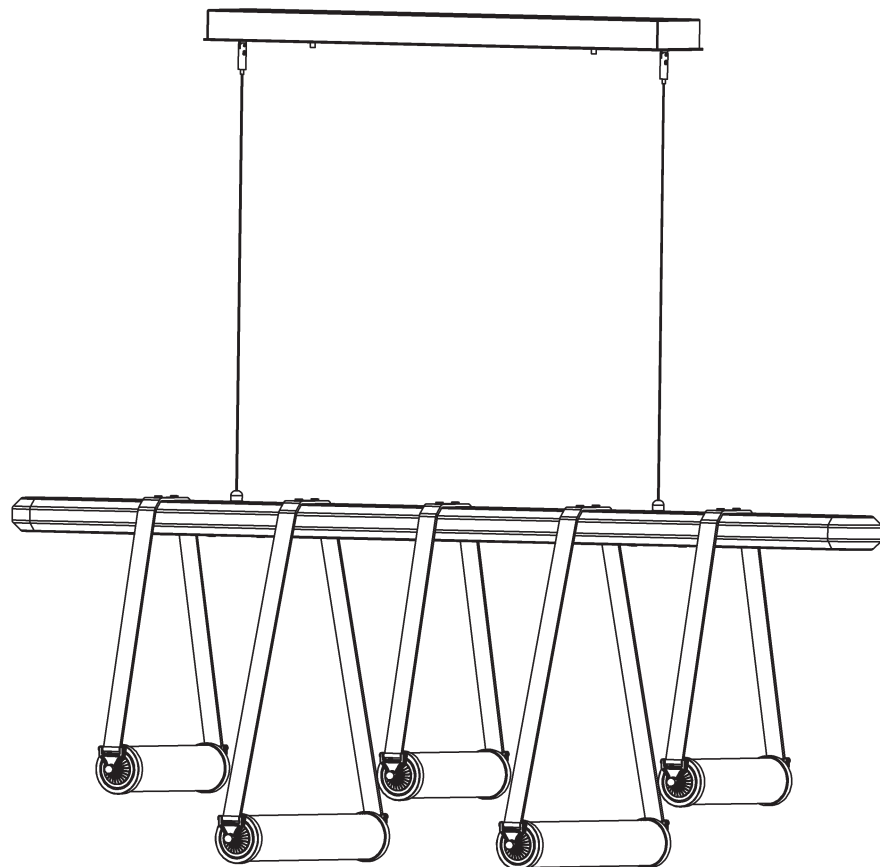


# ASSEMBLY & INSTALLATION INSTRUCTIONS

A679

York Linear Pendant, 5-Light 131053

---



HUBBARDTON FORGE.

MODERN AMERICAN BLACKSMITHS | FINE, HAND CRAFTED LIGHTING  
CASTLETON, VERMONT USA | HUBBARDTONFORGE.COM

## Component Parts

- A Knob (2)**
- B Canopy Cover Plate**
- C Canopy**
- D Stud (2)**
- E Gripper (2)**
- F Supply/Support Cable (2)**
- G Wood Bar**
- H Thumb Screw (10)**
- I Short Leather Strap (3)**
- J Long Leather Strap (2)**
- K Glass Tube (5)**
- L Ball nut (10)**



York Linear Pendant, 5-Light 131053

**CAUTION: FAILURE TO INSTALL THIS FIXTURE PROPERLY MAY RESULT IN SERIOUS PERSONAL INJURY OR DEATH AND PROPERTY DAMAGE.** We recommend installation by a licensed electrician. This product must be installed in accordance with applicable installation code(s), by a person familiar with the construction and operation of the product and the hazards involved.\*

Please Note: After installation extra hardware and accessories are possible due to our kits are used on multiple products and options.

## To Install Canopy (Figures 1, 2)

**CAUTION: BE SURE POWER IS OFF AT THE MAIN BREAKER BOX PRIOR TO INSTALLATION.**

1. Carefully unpack fixture from the carton.
2. Unscrew knobs (A) and remove canopy cover plate (B). Set parts aside.
3. Pull wires from electric box through canopy (C). Using two machine screws (not provided), fasten canopy (C) to the electric box.

**Note:** A new electric box comes with screws. When replacing a fixture, retain the existing screws for use with the new fixture.

4. Using suitable wire connectors (not provided) connect driver wires to supply wires (white to white and black to black). Connect all ground wires (bare copper or green to bare copper or green).

**CAUTION: MAKE SURE WIRE CONNECTORS ARE TWISTED ON SECURELY AND NO BARE WIRE IS EXPOSED.**

5. Reattach canopy cover plate (B) with knob (A) and stud (D).

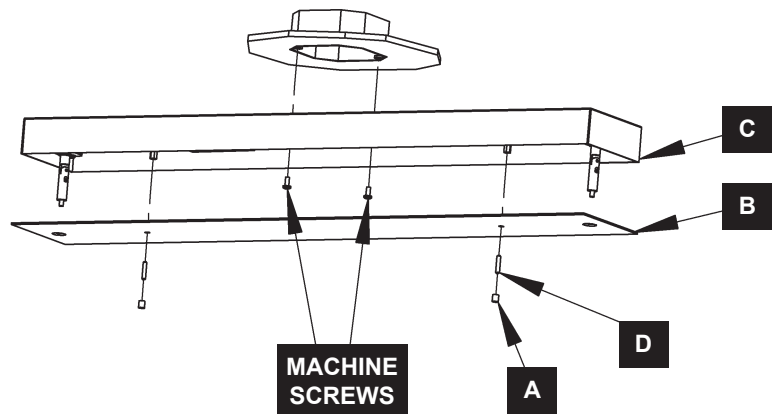
**CAUTION: BE SURE NO WIRES ARE PINCHED BETWEEN THE COVER PLATE AND THE CANOPY.**

6. Locate wood bar (G), align (+) supply/support cable (F) with (+) gripper (E). Feed supply/support cables (F) through gripper (E) on canopy (C) until the cable sticks through the slot in the side of gripper (E).
7. Raise fixture to desired hang height.
8. Once desired fixture height is achieved, cut excess cable (F) as close to gripper (E) as possible.

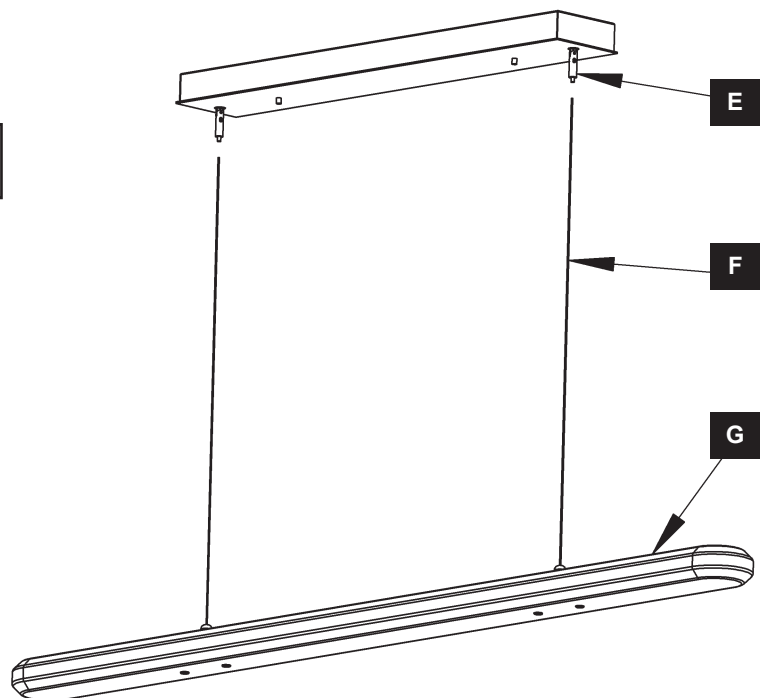
**CAUTION: ONCE EXCESS CABLE IS CUT, FIXTURE CANNOT BE LOWERED.**

**CAUTION: BE SURE NO PIECE OF THE SUPPORT CABLE IS TOUCHING THE FIXTURE.**

9. Follow steps on next page to complete installation.



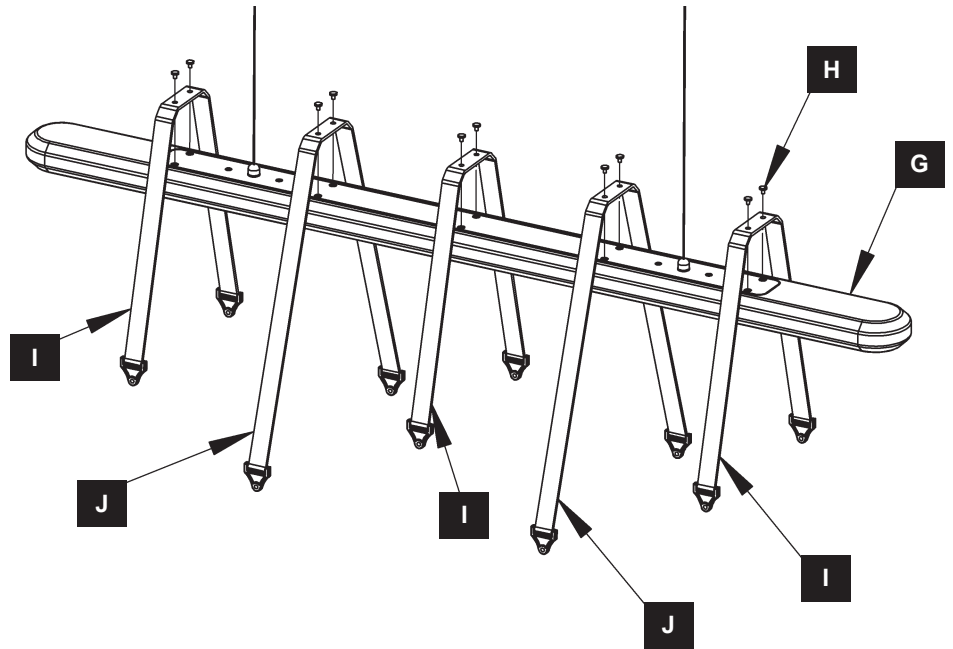
(Figure 1)



(Figure 2)

## To Finish Installation *(Figure 3,4)*

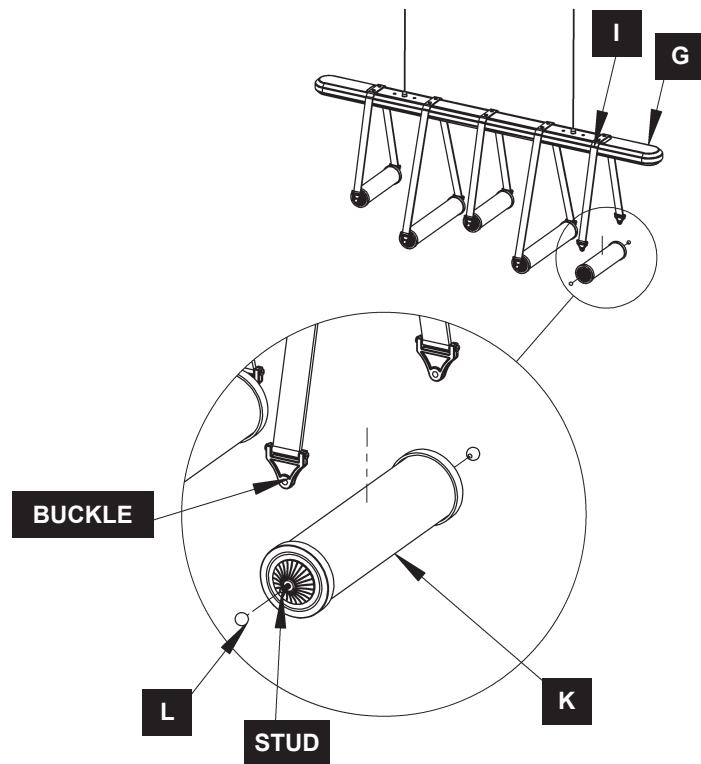
1. Locate remaining parts. Attach leather straps (I,J) to wood bar (G) using thumb screws (H) as shown. (Figure 3)
2. Carefully unpack glass tube (K).
3. Note the orientation of the (+) and (-) ends on the tube. The straps (I,J) will have a (+) and (-) side based on the labels on top of wood bar (G).
4. Line up the (+) side of tube with the (+) side of the strap. Insert studs into holes on brass buckle.
5. Secure glass tube (K) to leather strap (I,J) with ball nut (L). (Figure 4)
6. Repeat steps 1-4 for remaining glass tubes (K). Refer to the image on the front page of these instructions for orientation.



(Figure 3)

**CAUTION:** IT IS THE RESPONSIBILITY OF THE INSTALLER TO SECURE GLASS TUBE (K) PER INSTRUCTIONS. FAILURE TO DO SO WOULD IMPLY THE RISK OF PERSONAL INJURY.

7. Restore electricity at main breaker.



(Figure 4)

# ASSEMBLY & INSTALLATION INSTRUCTIONS

A679

York Linear Pendant, 5-Light 131053

---

## Leather Care

---

1. Turn off electricity at main breaker.
2. Wipe leather surface with a damp cloth to even out any abrasions or stains. Do not spot rub, for it will darken only that area. Occasional use of Aniline Leather Cleaner, Conditioner & Protector or Aniline Leather Maintenance Kit is recommended. Other leather cleaners such as saddle soap or household cleaners that may contain harsh chemicals, alcohol or ink removers should never be used.
3. Restore electricity at main breaker.

If you need further assistance, or find that you are missing any parts, please contact the dealer from which you purchased this product. We hope you enjoy your fixture!

*\* Hubbardton Forge will not be liable for injury or damage caused by improper installation, lamping or use of this fixture.*