

Assembly & Installation Instructions

A434

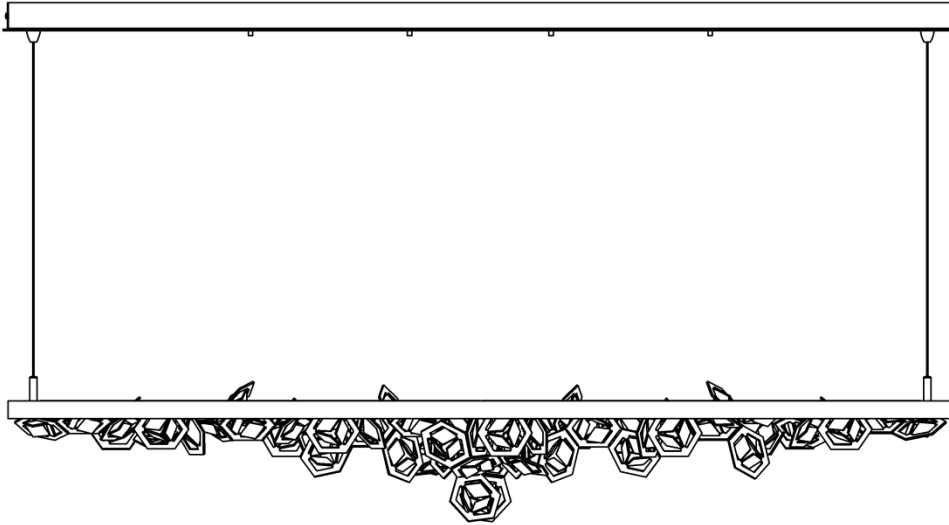
Winter Pendant 139759D

Page 1 of 3

CAUTION: FAILURE TO INSTALL THIS FIXTURE PROPERLY MAY RESULT IN SERIOUS PERSONAL INJURY OR DEATH AND PROPERTY DAMAGE. We recommend installation by a licensed electrician.

This product must be installed in accordance with applicable installation code(s), by a person familiar with the construction and operation of the product and the hazards involved.*

Caution: Do not exceed maximum wattage noted on fixture. Use only recommended bulbs with fixture.



Attach Ceiling Brackets (Figures 1 & 2)

Component Parts

A	Mounting bracket (2)	E	#10 Wood Screws (8)	I	Supply Cable (4)
B	Canopy	F	#8 Screws (2)	J	Threaded Standoffs (4)
C	Ground Nuts (2)	G	Safety Cable	K	Barrel Knobs w/Studs (4)
D	Cupped Washer (2)	H	Safety Cable Nut	L	Connectors (2)

Caution: Be sure power is off at the main breaker box prior to installation.

1. Locate mounting brackets (A).
2. Using wood screws (E), attach mounting brackets (A) to a structural member in the ceiling, centering the bracket over the outlet box. It may be necessary to pre-drill 1/4" holes where screws (E) are being installed. Wood screws are supplied with your fixture; however, different materials and/or construction methods may require different fasteners. If in doubt, contact a qualified electrician. Do not attach bracket directly to outlet box.

Note: There are half-round features build into the mounting brackets to help with alignment when installing both brackets to the ceiling.

3. Connect the blue wire from one end of the mounting bracket (A) to the supplied connector on the black wire of the driver. Repeat same step for Red wire (connecting to the red driver wire). See figure 2 for wiring diagram of connectors (L).

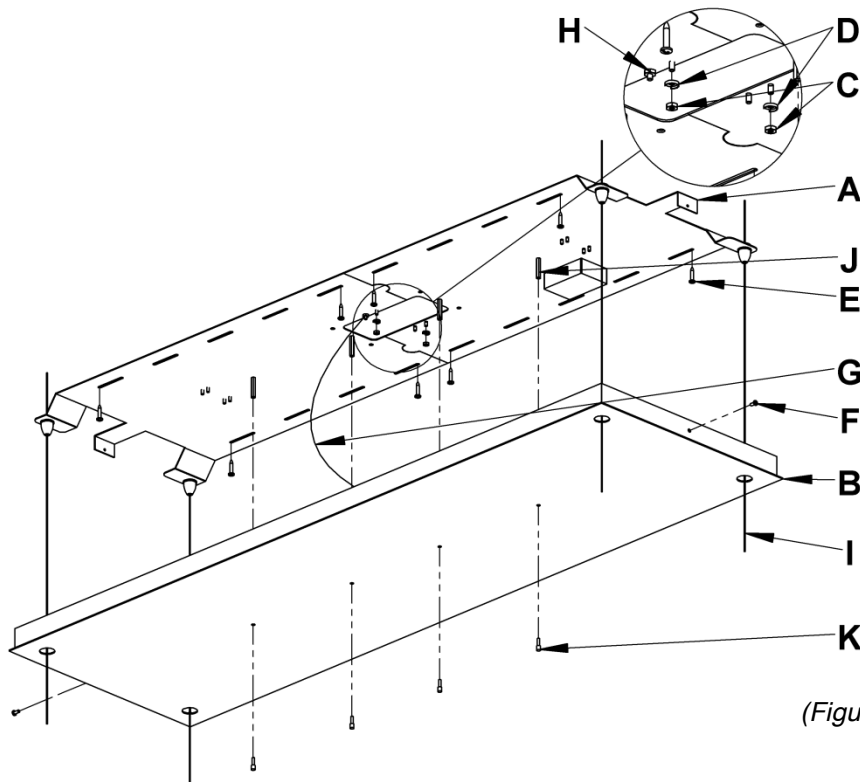
Note: Grey and purple driver wires are not used for this fixture.

Assembly & Installation Instructions

Winter Pendant 139759D

A434

Page 2 of 3



(Figure 1)

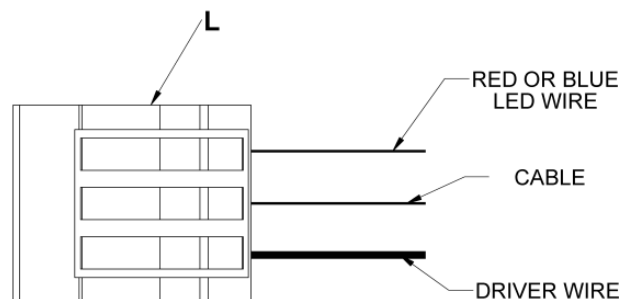
4. Raise canopy (B) close to ceiling and attach safety cable (G) using safety cable nut (H) that is shipped installed on the mounting bracket (A).

Note: Safety cable is used to temporarily suspend canopy while wiring connections are made.

5. Attached a pigtail lead to both mounting brackets (A) using cupped washers (D) and ground nuts (C) that ship installed to the mounting bracket. Run pigtail lead from both brackets to the outlet box. Connect all ground wires (bare copper or green to bare copper or green). Push wires back into outlet box.

Caution: Make sure wire connectors are twisted on securely, and no bare wire is exposed.

6. Using suitable wire connectors (not provided) connect driver wires to supply wires (white to white and black to black).
7. Slip supply cables (I) through appropriate holes in canopy (B). Remove barrel knobs w/ studs (K) from threaded standoffs (J) as they are shipped installed.
8. Raise canopy (B) and push firmly to ceiling, making sure that no wires are pinched between canopy (B) and ceiling.
9. Screw barrel knobs with studs (K) into threaded standoffs (J).
10. To completely secure canopy, thread #8 screws (F) through canopy (B) and into mounting brackets (A).



(Figure 2)

Assembly & Installation Instructions

A434

Winter Pendant 139759D

Page 3 of 3

To Install LED Assembly (Figure 3)

Component Parts

- I Supply Cable (4)
- M LED Assembly
- N Gripper (4)
- O Gripper Cover (4)

1. Insert supply cable (I) through gripper cover (O) and into gripper (N) until cable (I) sticks through the slot in the side of the gripper (N).

Note: Gripper covers (O) are shipped in kit bag.

2. Repeat with remaining supply cables (I).

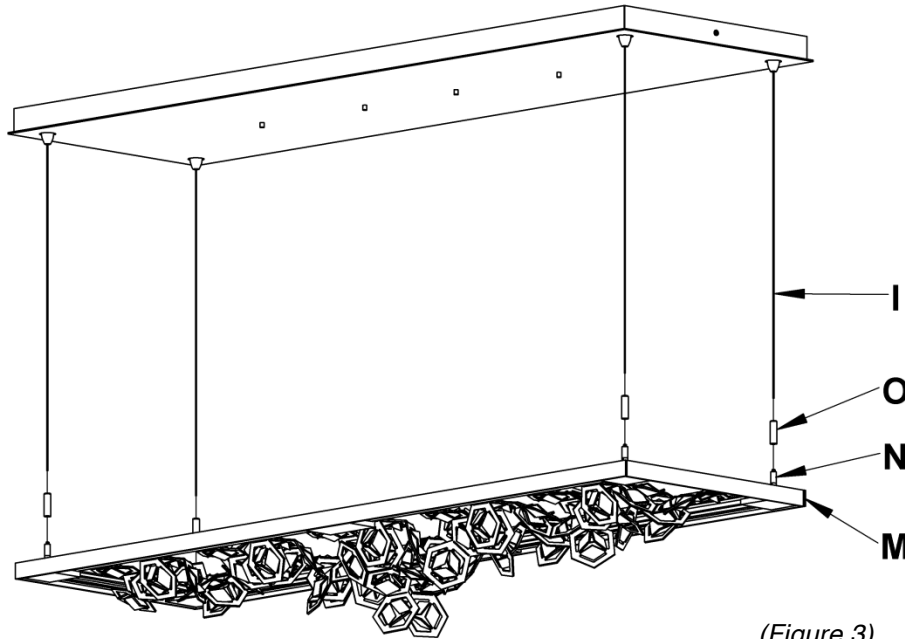
3. Continue pulling cables (I) through grippers (N) until correct LED Assembly (M) height is achieved. Be sure to keep LED assembly (M) level.

Note: If fixture needs to be lowered, push down on top of gripper (N) to release cable.

4. Once desired height of the LED assembly (M) is achieved, cut off the excess cable (I) as close to the gripper (N) as possible.

Caution: Once excess cable is cut, fixture cannot be lowered.

5. Screw gripper covers (O) onto grippers (N).
6. Restore electricity at main breaker.



(Figure 3)

If you need further assistance, or find that you are missing any parts, please contact the dealer from which you purchased this product. We hope you enjoy your fixture!

* Hubbardton Forge will not be liable for injury or damage caused by improper installation, lamping or use of this fixture.