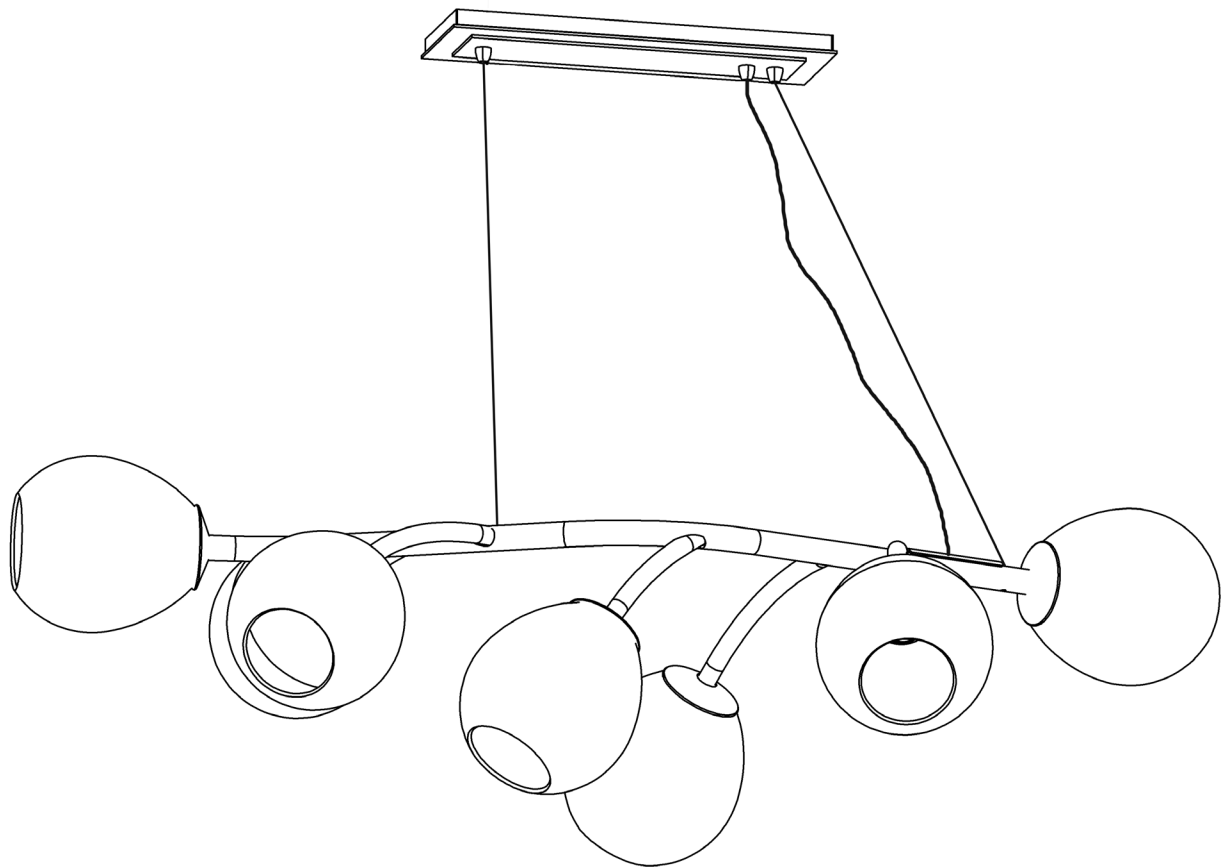


# ASSEMBLY & INSTALLATION INSTRUCTIONS

A674

138573 Vine Pendant

---



**Component Parts**

- A Ceiling Bracket**
- B Cable Gripper (2)**
- C Gripper Nut (2)**
- D Canopy**
- E Support Cable (2)**
- F Fixture**
- G Supply Wire**
- H Strain Relief**
- I Mounting Bracket**
- J Hex Nipple (2)**
- K Lockwasher (2)**
- L Glass (7)**
- M Washer (7)**
- N Retaining Ring (7)**

# ASSEMBLY & INSTALLATION INSTRUCTIONS

A674

## 138573 Vine Pendant

**CAUTION: FAILURE TO INSTALL THIS FIXTURE PROPERLY MAY RESULT IN SERIOUS PERSONAL INJURY OR DEATH AND PROPERTY DAMAGE.** We recommend installation by a licensed electrician. This product must be installed in accordance with applicable installation code(s), by a person familiar with the construction and operation of the product and the hazards involved.\*

**Caution:** Do not exceed maximum wattage noted on fixture. Use only recommended bulbs with fixture.

### To Install Fixture (Figures 1, 2 & 3)

**CAUTION: BE SURE POWER IS OFF AT THE MAIN BREAKER BOX PRIOR TO INSTALLATION.**

1. Carefully unpack the fixture from the carton.
2. Using two machine screws (not provided), fasten the ceiling bracket (A) to the electric box.  
**Note:** A new electric box comes with screws. When replacing a fixture, retain the existing screws for use with the new fixture.
3. Locate 3 cable cord holders. The cable cord holders are shipped in an envelope in the glass box. Loosen the set screw on the cable cord holders and slip cable cord holders over the cable and supply wire and allow them to rest on the fixture (F).
4. Slip gripper nuts (C) onto the support cables (E) and allow to rest on top of the fixture (F).
5. Pull support cables (E) and supply wire (G) through canopy (D) allowing canopy to rest on top of fixture (F).
6. Raise fixture and push support cables (E) through cable grippers (B) until desired fixture height is accomplished and level.
7. Slip supply wire (G) through strain relief (H) and push supply wire through slot on the bottom of ceiling bracket (A) followed by washer (I). Adjust location of strain relief on supply wire until it will snap into location provided on ceiling bracket.
8. Snap strain relief (H) onto supply wire (G) and push into tab on ceiling bracket (Figure 3).
9. Once support cables are at the correct height, excess cable can be cut off. To keep the strands of cable together a small piece of electrical tape can be applied to the cut end.
10. Cut excess supply wire (G) allowing enough left (approx. 6") to make connections in the electrical box. Strip outside jacket being careful not to cut through shielding of the two inner conductors.
11. Run a pigtail lead from the ceiling bracket (A) using cupped washer (J) and hex nut (K) to the junction box. Using suitable wire connectors (not provided) connect unshielded wire from supply wire (I) to all ground wires (bare copper or green shielded (Figure 4).
12. Using suitable wire connectors (not provided) connect fixture wires to supply (wire with white tracer to white and wire with no tracer to black). Attach a pigtail lead to the crossbar (D) using ground screw (P). Connect all ground wires. Push wires back into box.  
**Caution:** Make sure wire connectors are twisted on securely, and no bare wire is exposed.
13. Raise canopy (D) and push firmly to ceiling making sure that no wires are pinched between fixture canopy and ceiling. Fasten to ceiling by threading gripper nuts (C) onto grippers (B) (Figure 5).
14. Space each cable cord holder evenly over the length of the cable and supply cable. Tighten set screws in the cable cord holder.

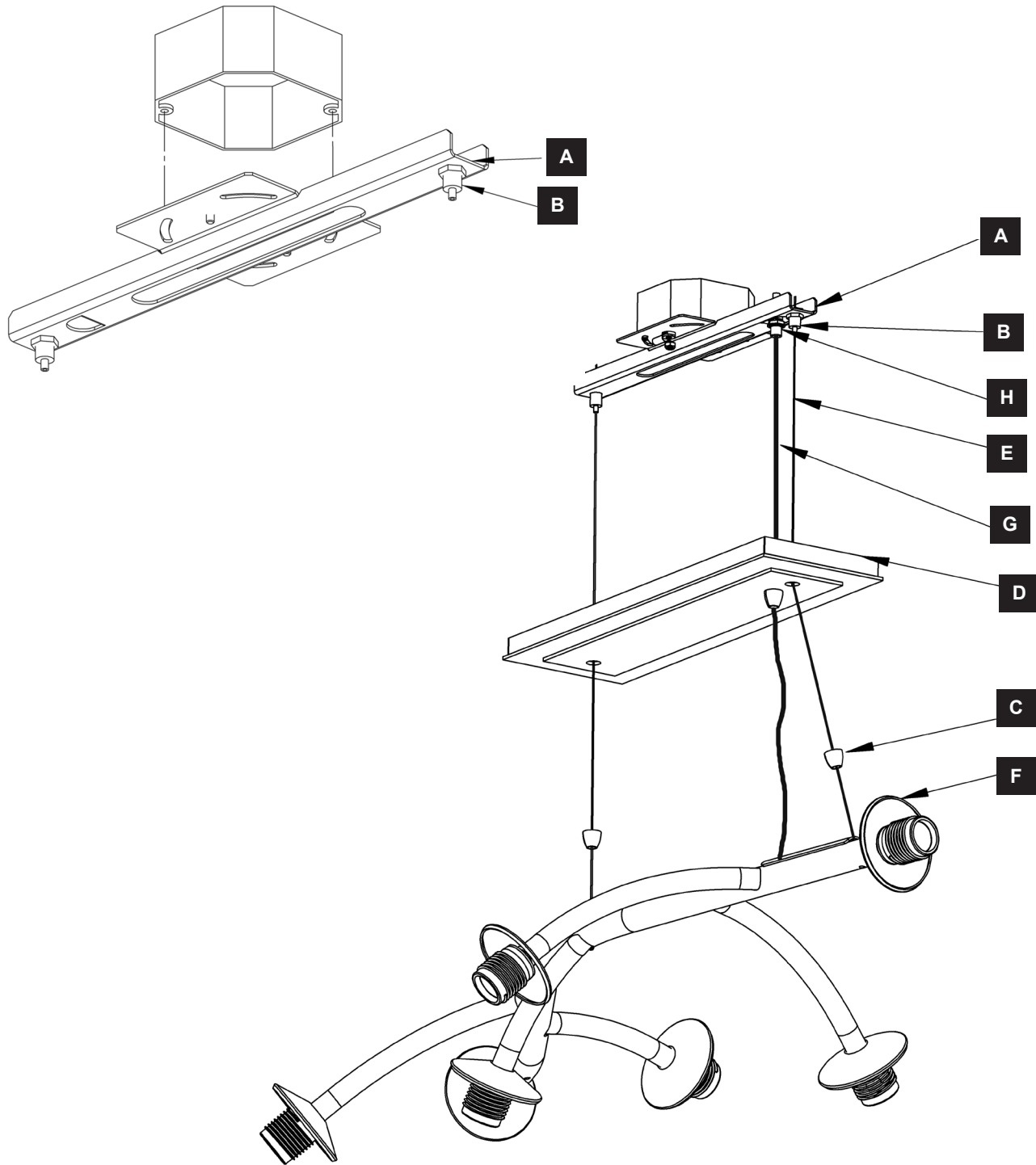
CONTINUED

# ASSEMBLY & INSTALLATION INSTRUCTIONS

A674

## 138573 Vine Pendant

15. Install bulbs (not included)
16. Restore electricity at main breaker.



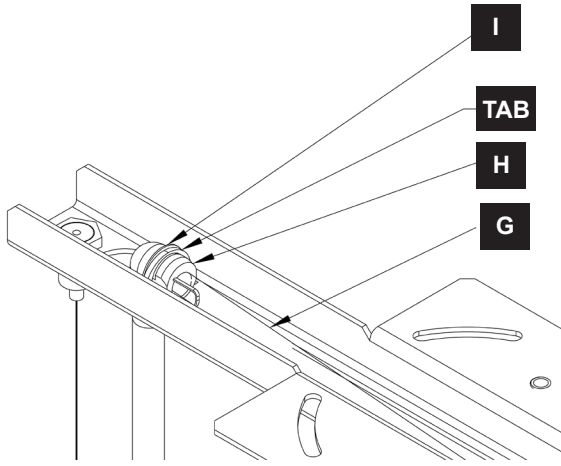
(Figure 2)

CONTINUED

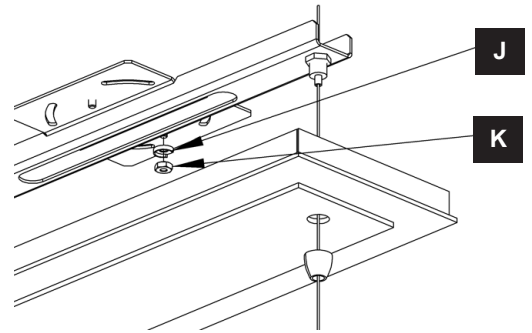
# ASSEMBLY & INSTALLATION INSTRUCTIONS

**A674**

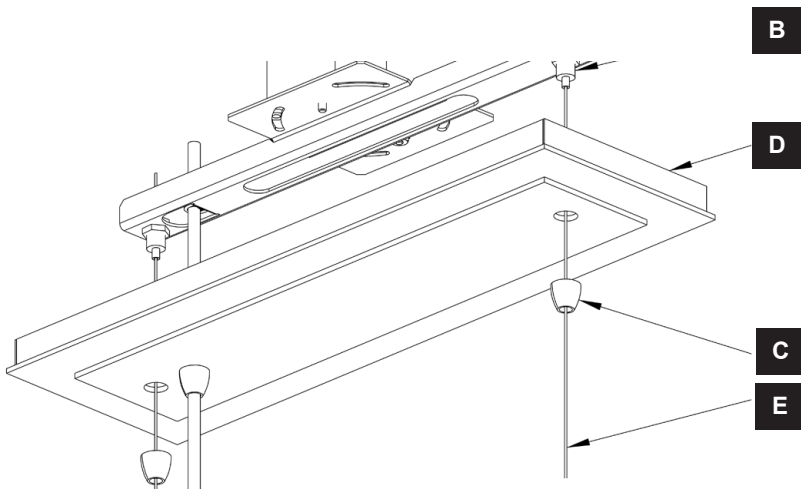
138573 Vine Pendant



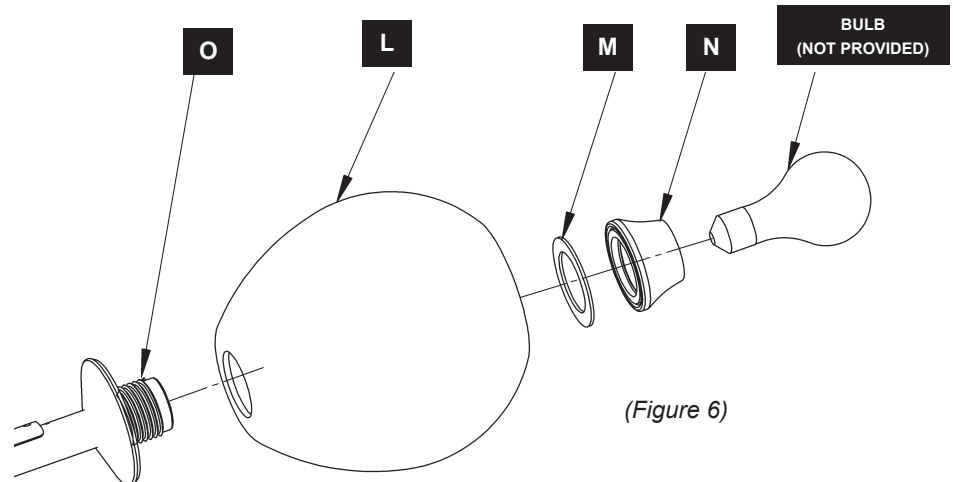
(Figure 3)



(Figure 4)



(Figure 5)



(Figure 6)