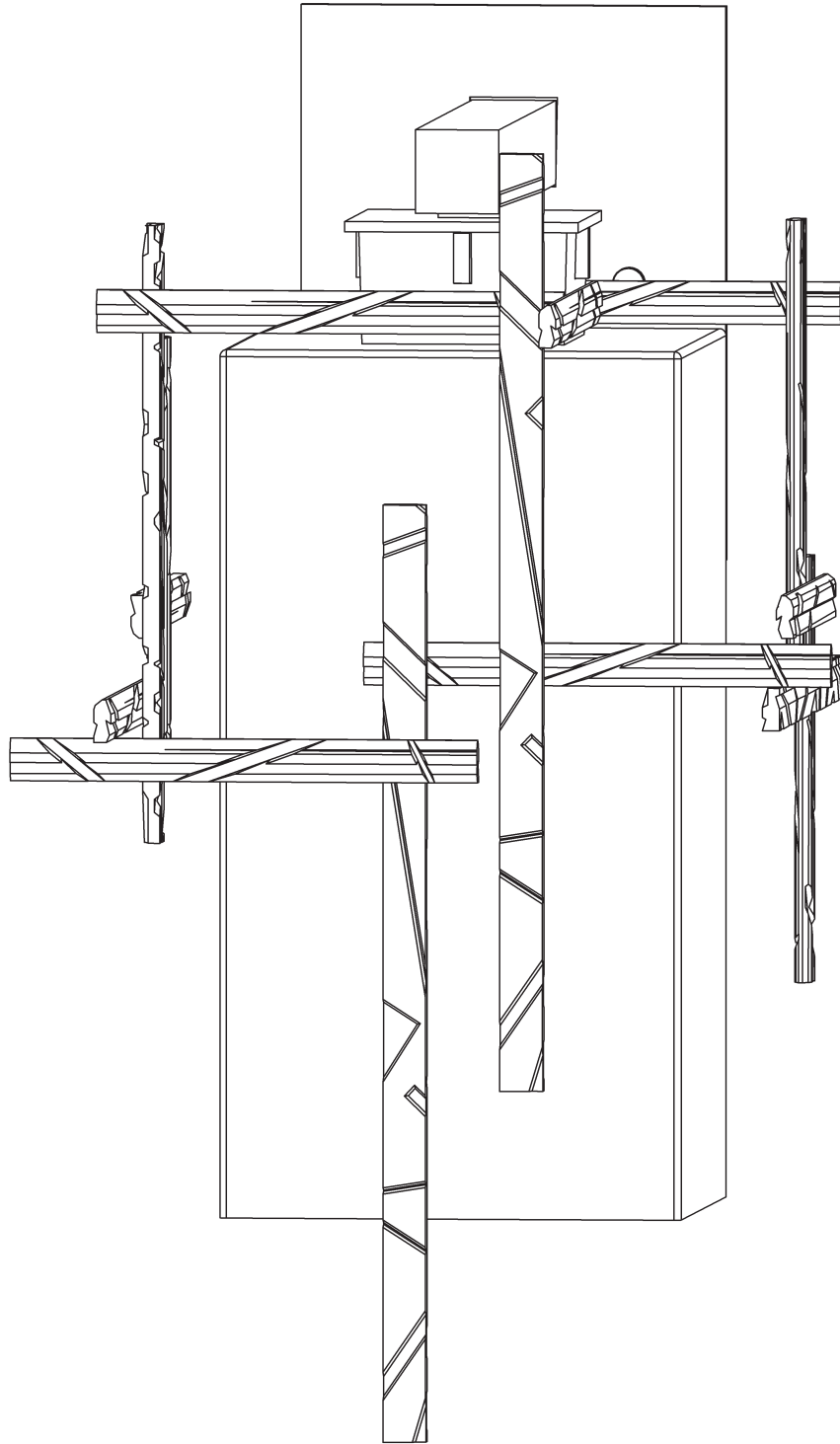


# ASSEMBLY & INSTALLATION INSTRUCTIONS

Tura Sconce Medium 302581

B504



**Component Parts**

- A      Fixture**
- B      Crossbar**
- C      Ground Screw**
- D      Knurled Balls (2)**
- E      Threaded Stud (2)**
- F      Caulking Lip**
- G      Socket**
- H      Bulb - Not Included**
- I      Glass**
- J      Retaining Ring**
- K      Retaining Ring Tool**
- L      White Washer**



# ASSEMBLY & INSTALLATION INSTRUCTIONS

B504

Tura Sconce Medium 302581

**CAUTION: FAILURE TO INSTALL THIS FIXTURE PROPERLY MAY RESULT IN SERIOUS PERSONAL INJURY OR DEATH AND PROPERTY DAMAGE.** We recommend installation by a licensed electrician. This product must be installed in accordance with applicable installation code(s), by a person familiar with the construction and operation of the product and the hazards involved.\*

**Caution:** Do not exceed maximum wattage noted on fixture. Use only recommended bulbs with fixture.

*Please Note: After installation extra hardware and accessories are possible; our kits are used on multiple products.*

## To Install Fixture (Figure 1 & 2 - On following page)

**CAUTION: BE SURE POWER IS OFF AT THE MAIN BREAKER BOX PRIOR TO INSTALLATION.**

1. Carefully unpack the fixture (A) from the carton.
2. Thread two studs (E) into the appropriate holes in the crossbar (B) that align with fixture (A) and desired orientation.
3. Using two machine screws (not provided) attach crossbar (B) to the electric box using outer oval holes to orient fixture.

**Note:** A new electric box comes with screws. When replacing a fixture, retain the existing screws for use with the new fixture.

4. Adjust the studs (E) to proper length to ensure the fixture will fit snugly against the wall.
5. Using suitable wire connectors (not provided) connect fixture wires to supply (white to white and black to black). Attach a pigtail lead to the crossbar ground screw (C). Connect all ground wires (bare copper or green to bare copper or green).

**CAUTION: MAKE SURE WIRE CONNECTORS ARE TWISTED ON SECURELY, AND NO BARE WIRE IS EXPOSED.**

6. Apply a generous bead of a suitable caulking material (not provided) to caulking lip (F) on the fixture (Figure 2).
7. Carefully tuck all wires behind fixture, push fixture firmly against the wall. Secure by threading knurled balls (D) onto threaded studs (E).

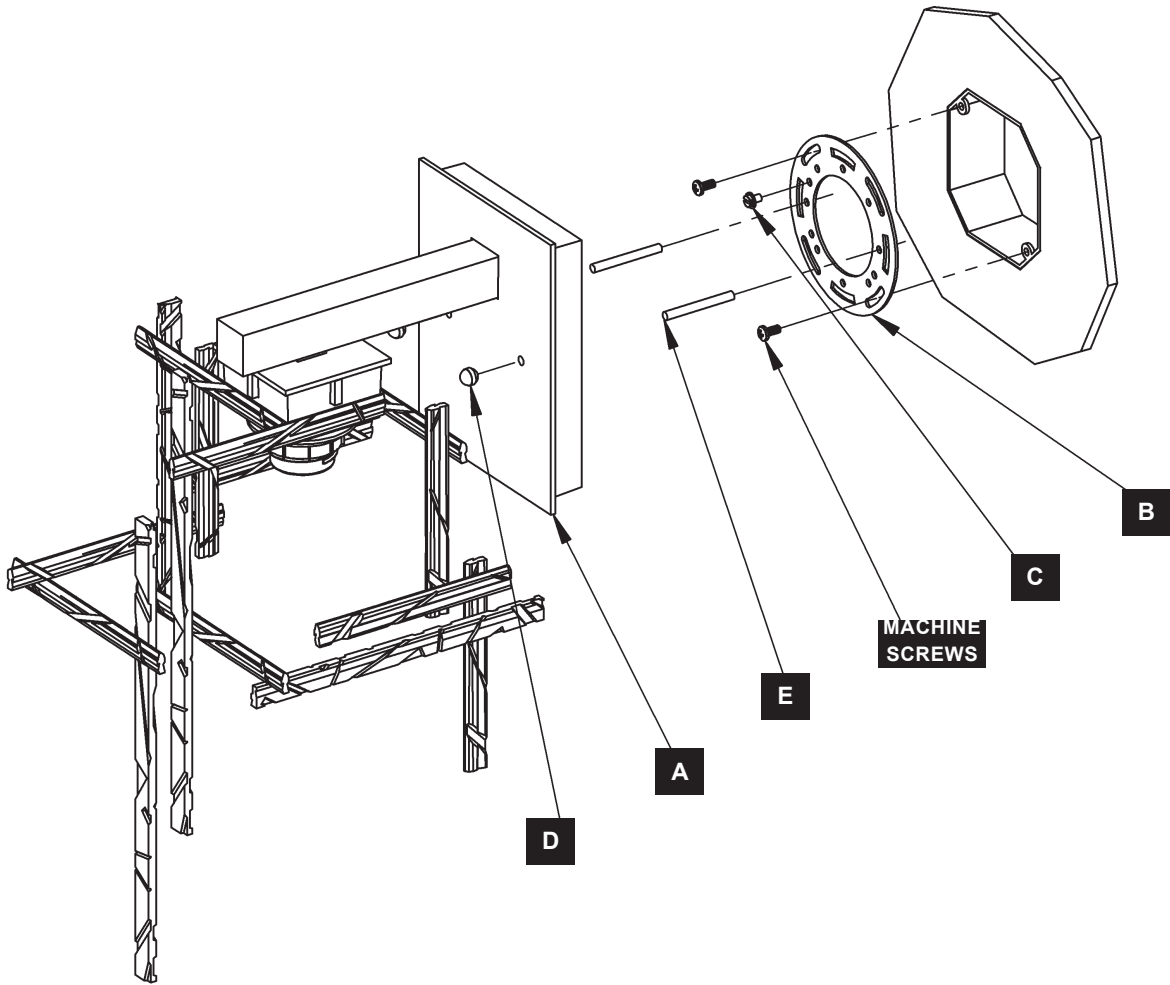
**Note:** Be sure no wires are pinched between the wall and the fixture. Be sure threaded studs are fully seated in knobs.

8. See instructions on last page to install glass.

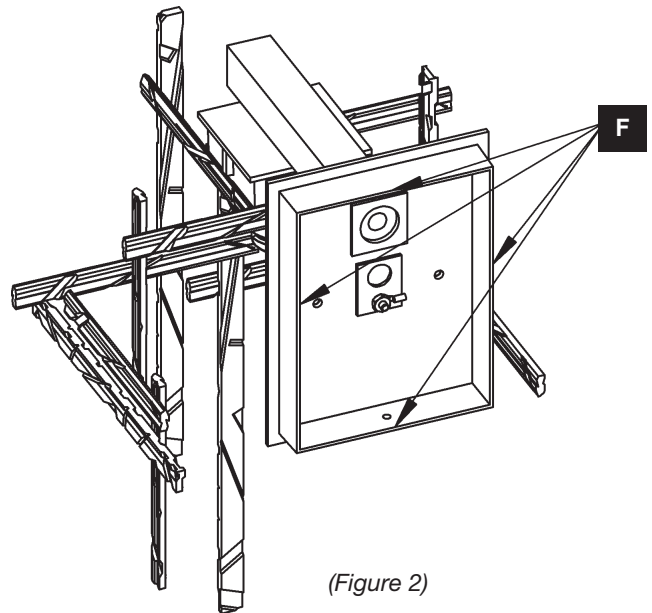
# ASSEMBLY & INSTALLATION INSTRUCTIONS

**B504**

Tura Sconce Medium 302581



(Figure 1)



(Figure 2)



HUBBARDTON FORGE.

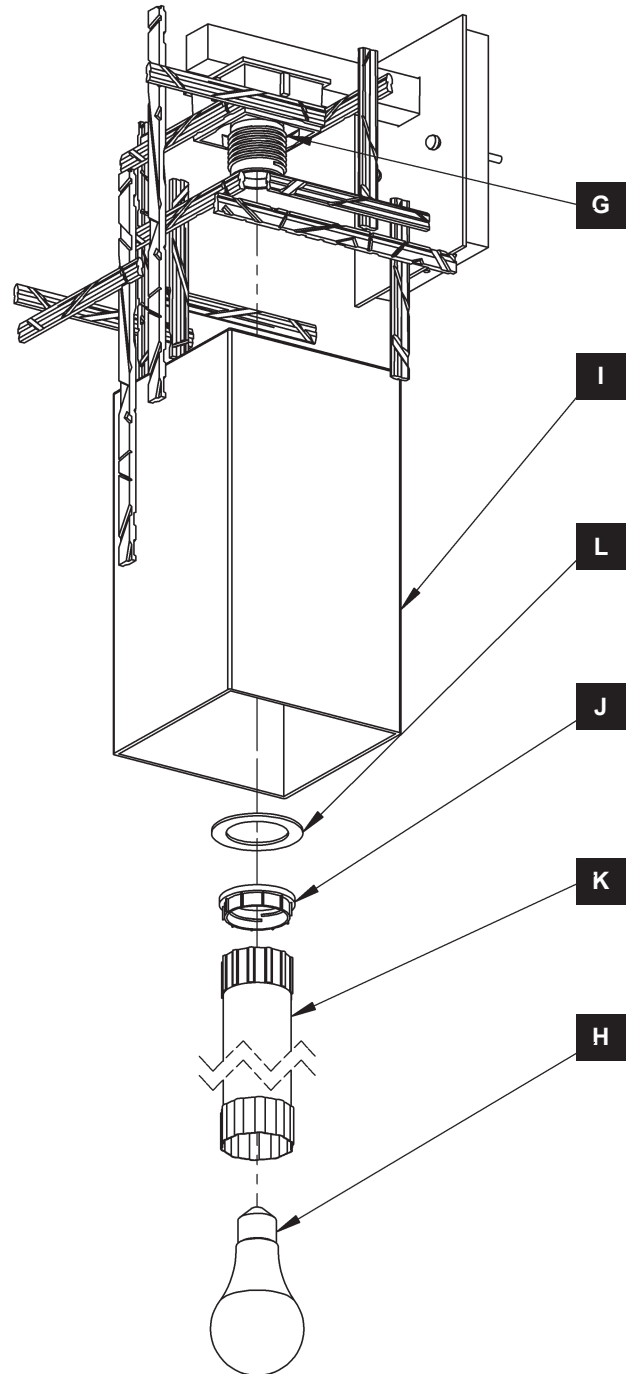
Tura Sconce Medium 302581

## To Install Glass (Figure 3)

1. Retaining ring (J) is shipped installed. Remove and retain for next steps.
2. Carefully unpack glass (I).
3. Slide glass (I) over socket (G) followed by white washer (L) and, using tool (K) provided, secure both with retaining ring (J).

**Note:** Be sure not to over tighten as this could break the glass (N).

4. Install bulb (H), not included, into socket (G).
5. Restore electricity at the main breaker.



(Figure 3)

If you need further assistance, or find that you are missing any parts, please contact the dealer from which you purchased this product. We hope you enjoy your fixture!

*\* Hubbardton Forge will not be liable for injury or damage caused by improper installation, lamping or use of this fixture.*