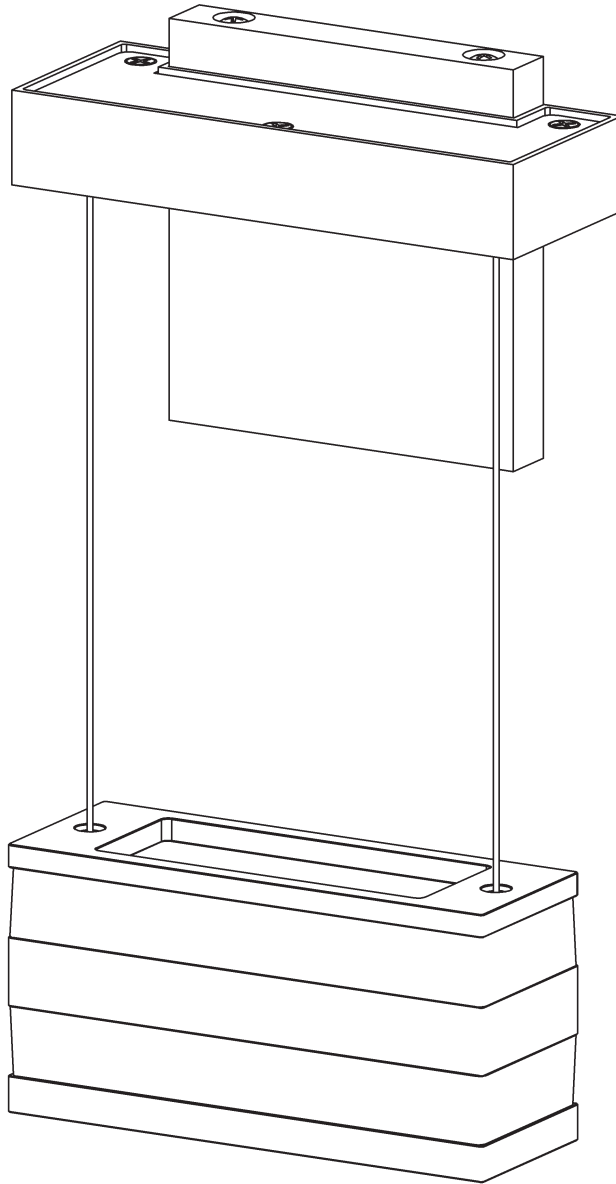


ASSEMBLY & INSTALLATION INSTRUCTIONS

B373

Stacks Sconce - 402064



HUBBARDTON FORGE.

MODERN AMERICAN BLACKSMITHS | FINE, HAND CRAFTED LIGHTING
CASTLETON, VERMONT USA | HUBBARDTONFORGE.COM

39538 Rev A

1 OF 5

Component Parts

- A Crossbar**
- B Fixture**
- C Driver**
- D Cupped Washer**
- E Ground Screw**
- F #8 Screws (4)**
- G Cover Plate**
- H Flat Head Screws (3)**
- I Connector (2)**
- J Glass Assembly**
- K Supply/Support Cables (2)**
- L Grippers (2)**



ASSEMBLY & INSTALLATION INSTRUCTIONS

B373

Stacks Sconce - 402064

CAUTION: FAILURE TO INSTALL THIS FIXTURE PROPERLY MAY RESULT IN SERIOUS PERSONAL INJURY OR DEATH AND PROPERTY DAMAGE. We recommend installation by a licensed electrician. This product must be installed in accordance with applicable installation code(s), by a person familiar with the construction and operation of the product and the hazards involved.*

Caution: Do not exceed maximum wattage noted on fixture. Use only recommended bulbs with fixture.

TO INSTALL TO WALL (Figure 1)

1. Carefully unpack the fixture from the carton.
2. Remove three flat head screws (H) and cover plate (G) from fixture (B). Retain for later step.
3. Using two machine screws (not provided) attach crossbar (A) to the electric box.

NOTE: A new electric box comes with screws. When replacing a fixture, retain the existing screws for use with the new fixture.

4. Attach a pigtail lead to crossbar (A) using the cupped washer (D) and ground screw (E) found in kit bag.
5. Using suitable wire connectors (not provided) connect the driver (C) wires to supply wires (white to white and black to black).

CAUTION: MAKE SURE WIRE CONNECTORS ARE TWISTED ON SECURELY AND NO BARE WIRE IS EXPOSED.

6. Hold fixture (A) close to wall in orientation shown in Figure 1. Using wire connectors provided (I), connect driver (C) wires to LED wires (red to red and blue to blue).

CAUTION: MAKE SURE WIRE CONNECTORS ARE TWISTED ON SECURELY AND NO BARE WIRE IS EXPOSED.

7. Connect all ground wires (bare copper or green to bare copper or green).
8. Once connections are made, push all wires and driver (C) through hole in crossbar (A) and into electrical box.

NOTE: Driver (C) will not fit between crossbar (A) and fixture (B).

9. Push fixture (B) firmly against the wall. Attach fixture (B) to the wall using the #8 screws (F) top and bottom.

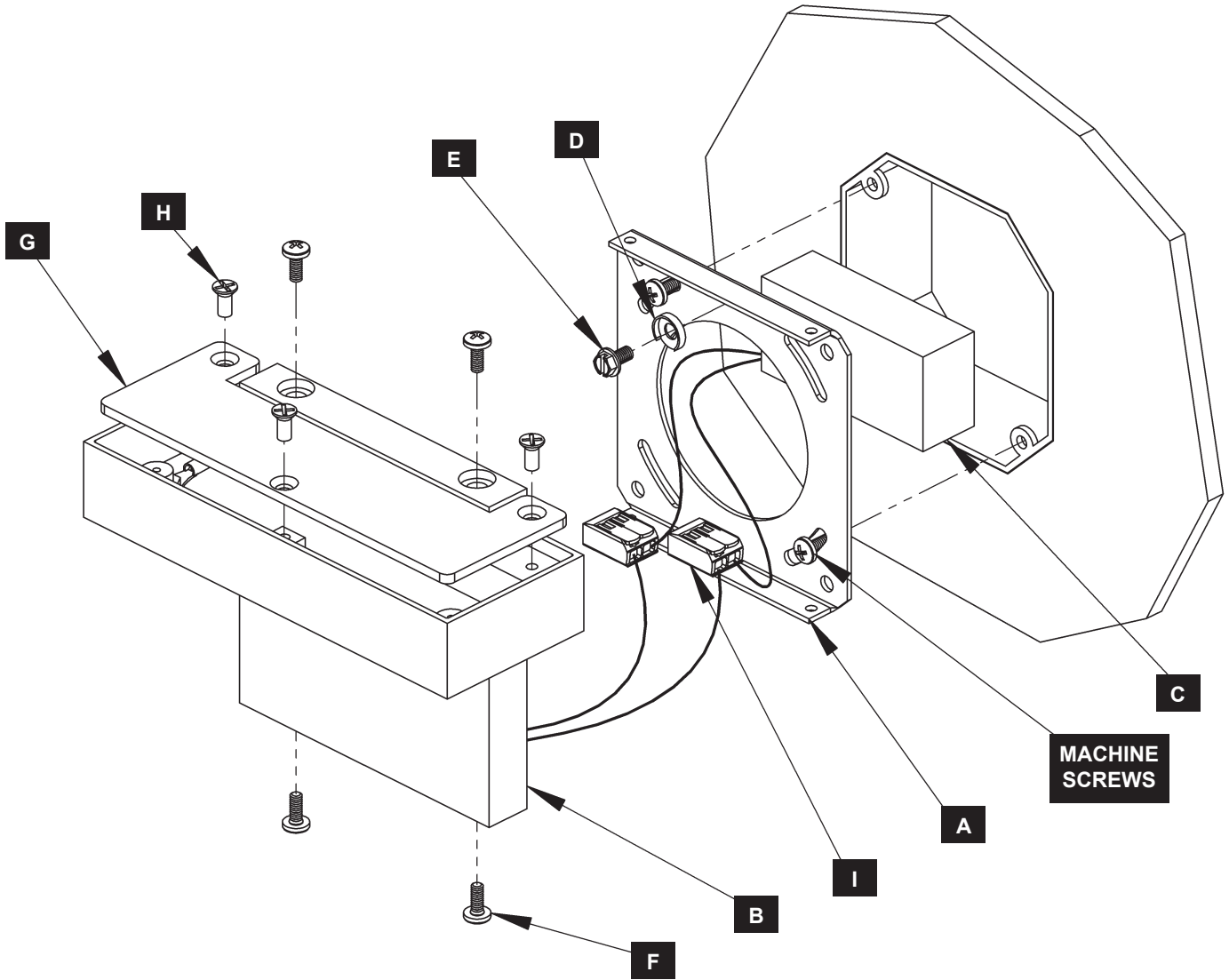
CAUTION: BE SURE NO WIRES ARE PINCHED BETWEEN THE FIXTURE AND THE WALL.

10. Follow steps on next pages to complete installation.

ASSEMBLY & INSTALLATION INSTRUCTIONS

B373

Stacks Sconce - 402064



(Figure 1)



HUBBARDTON FORGE.

MODERN AMERICAN BLACKSMITHS | FINE, HAND CRAFTED LIGHTING
CASTLETON, VERMONT USA | HUBBARDTONFORGE.COM

39538 Rev A

4 OF 5

ASSEMBLY & INSTALLATION INSTRUCTIONS

B373

Stacks Sconce - 402064

TO COMPLETE INSTALL (Figures 2 & 3)

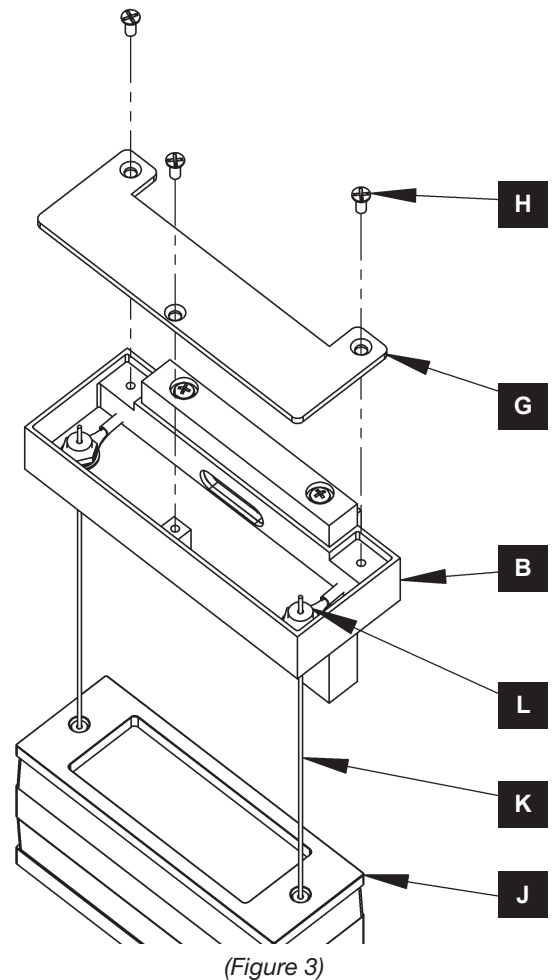
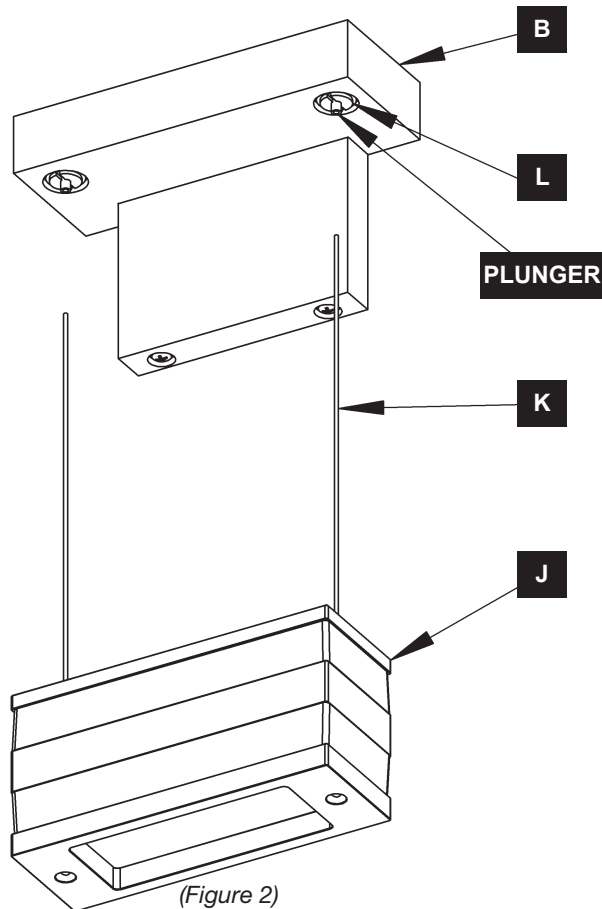
1. Locate glass assembly (J) and uncoil the supply/support cables (K) in order to find the (+) cable.
2. Locate grippers (L) in fixture (B). Align the (+) cable (K) with the (+) gripper (L). Slide supply/support cables (K) through grippers (L) until desired height of glass assembly (J) is reached. If glass assembly (J) needs to be lowered, push up on gripper plunger and pull cable (K) to desired length.
3. Using wire cutters, not provided, cut the supply/support cable (K) as close to the top of the gripper (L) as possible.

NOTE: Once supply/support cables are cut the glass assembly can no longer be lowered. Make sure desired height is reached before cutting cables.

4. Place cover plate (G) onto fixture (B) and secure with three flat head screws (H).

CAUTION: BE SURE NO PART OF CABLE IS TOUCHING COVER PLATE OR FIXTURE. THIS COULD CAUSE FIXTURE NOT TO LIGHT.

5. Restore electricity at main breaker.



If you need further assistance, or find that you are missing any parts, please contact the dealer from which you purchased this product. We hope you enjoy your fixture!

*** Hubbardton Forge will not be liable for injury or damage caused by improper installation, lamping or use of this fixture.**