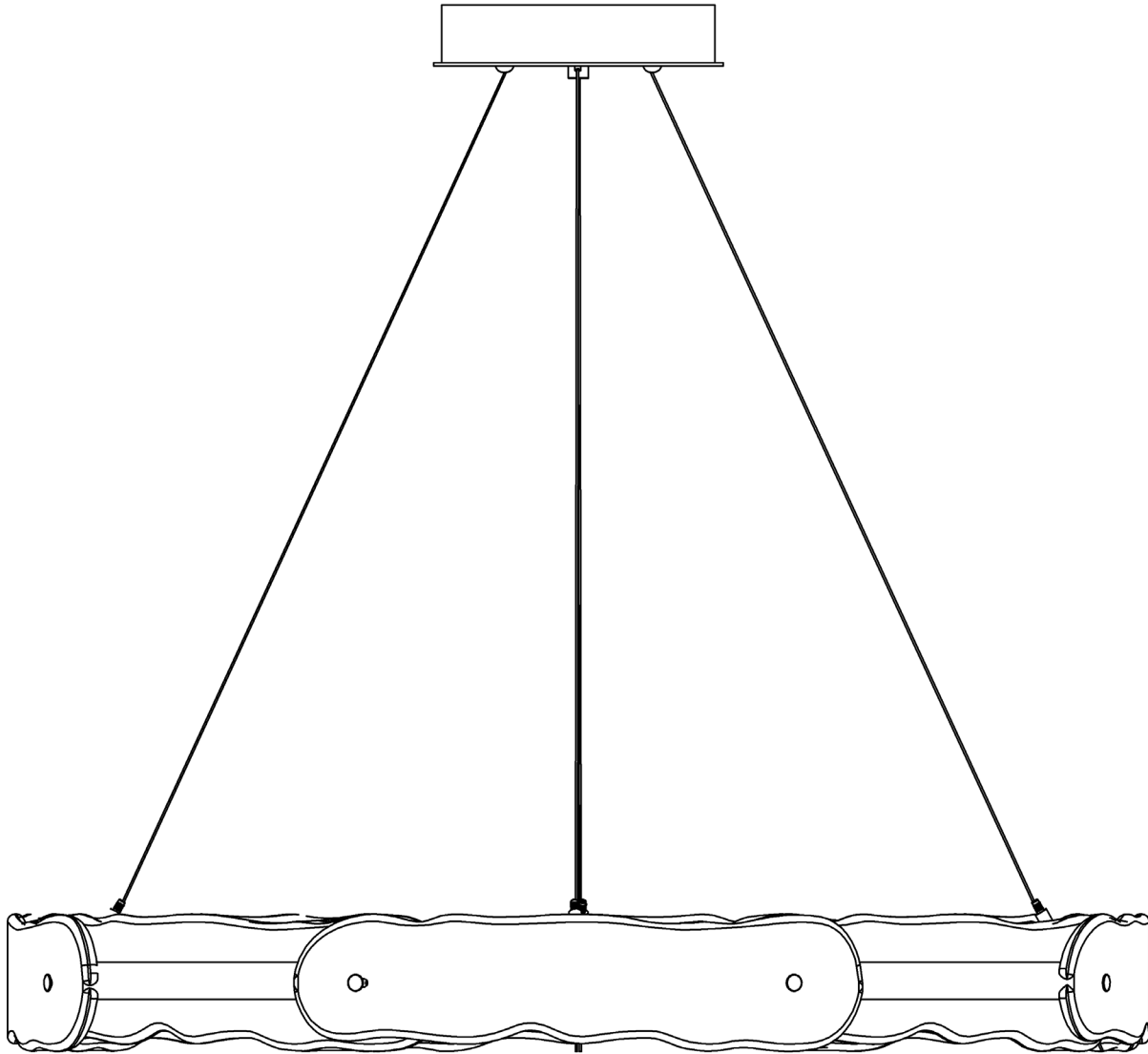


ASSEMBLY & INSTALLATION INSTRUCTIONS

A483

Solstice Pendant 139780



Solstice Pendant 139780

Component Parts

- A Canopy**
- B Canopy Cover Plate**
- C Cap**
- D Supply/Support Cable (4)**
- E Nut**
- F Nipple**
- G Fixture**
- H Gripper (4)**
- I Gripper Lock (4)**
- J Glass (8)**
- K Thumb Screw (16)**
- L Threaded Rod (8)**
- M Shim (8)**
- N Safety Cable**
- O Stud**
- P Foam Blocks**



Solstice Pendant 139780

CAUTION: FAILURE TO INSTALL THIS FIXTURE PROPERLY MAY RESULT IN SERIOUS PERSONAL INJURY OR DEATH AND PROPERTY DAMAGE. We recommend installation by a licensed electrician. This product must be installed in accordance with applicable installation code(s), by a person familiar with the construction and operation of the product and the hazards involved.*

Attach to Ceiling (Figure 1)

CAUTION: BE SURE POWER IS OFF AT THE MAIN BREAKER BOX PRIOR TO INSTALLATION.

1. Carefully unpack the fixture from the carton.
2. Feed the wires in the electrical box through the hole in the canopy (A) while moving the canopy into position. Using two machine screws (not provided) fasten canopy (A) to the electric box.
3. Using suitable wire connectors (not provided) connect transformer wires to supply wires (white to white and black to black). Connect all ground wires (bare copper or green to bare copper or green) together.

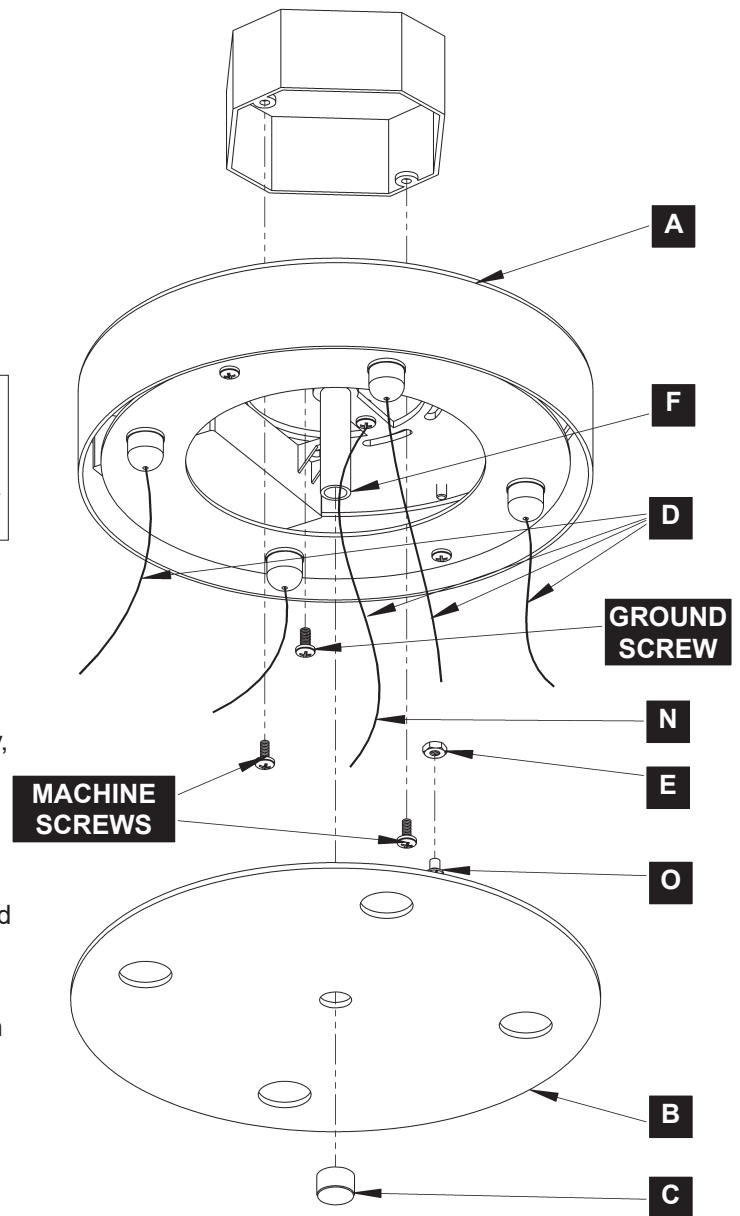
Note: Position the canopy so that the grippers are in line with the desired direction of your fixture.

Note: A new electric box comes with screws. When replacing a fixture, retain the existing screws for use with the new fixture.

4. Remove nut (E) from stud on canopy cover plate (B). Slide end of safety cable (N) over stud (O) and reattach nut (E). The safety cable (N) also acts as a ground for the canopy cover plate (B).
Caution: Make sure wire connectors are twisted on securely, and no bare wires are exposed.

Note: Grey and purple driver wires are not used for this fixture.

5. Align (+) and (-) labels on canopy cover plate (B) with (+) and (-) labels on canopy (A). Feed cables (D) through appropriate holes. Lift canopy cover plate (B) up to the bottom of canopy (A) allowing the threaded nipple (D) to come through the hole in the center of the canopy cover plate (B).
6. Screw the cap (C) onto the threaded nipple (D) to hold the canopy cover plate (B) to the bottom of the canopy (A). Adjust the height of the threaded nipple (D) until the cap (C) tightens fully with the canopy cover plate (B) flush to the bottom of the canopy (A).



(Figure 1)

ASSEMBLY & INSTALLATION INSTRUCTIONS

A483

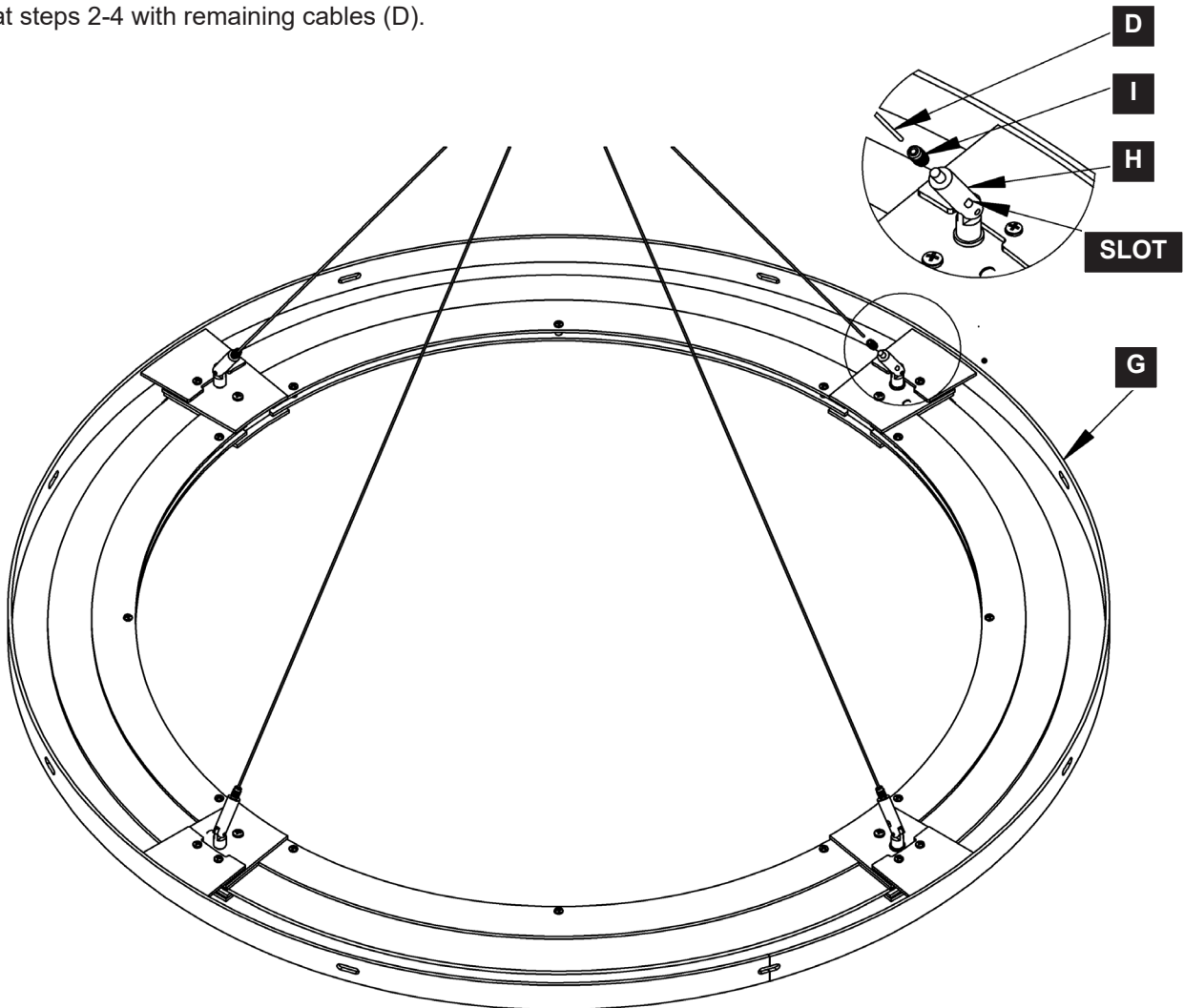
Solstice Pendant 139780

Assemble Fixture (Figure 2)

1. Carefully unpack the fixture from the carton.
2. Align (+) and (-) labels on fixture (G) with (+) and (-) labels on canopy cover plate (B).
3. Slide gripper lock (I), small hole first, onto support/supply cable (D).

Note: Gripper locks (I) are shipped in kit bag.

4. Insert support/supply cable (D) through gripper (H) until cable sticks through slot in side of gripper (H).
5. Repeat steps 2-4 with remaining cables (D).



(Figure 2)



HUBBARDTON FORGE.

MODERN AMERICAN BLACKSMITHS | FINE, HAND CRAFTED LIGHTING
CASTLETON, VERMONT USA | HUBBARDTONFORGE.COM

37269 Rev D

4 OF 6

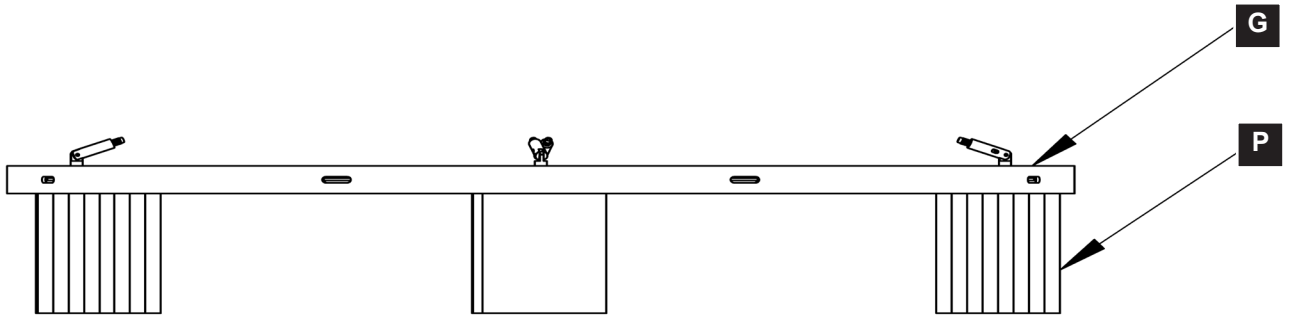
ASSEMBLY & INSTALLATION INSTRUCTIONS

A483

Solstice Pendant 139780

Prepare Fixture for Glass Installation *(Figure 3)*

1. Leaving cables (D) loose use foam blocks (P) from packaging to set fixture (G) on.



(Figure 3)

Solstice Pendant 139780

To Install Glass (Figure 4)

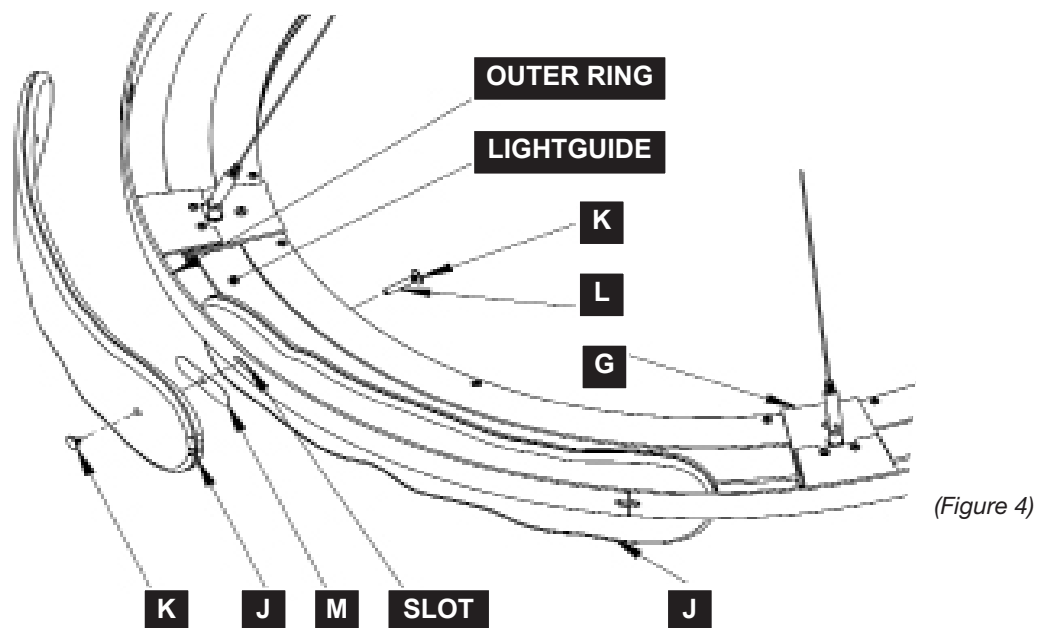
1. The (8) threaded rods (L) are shipped with (2) thumb screws (K) installed. Remove one thumb screw (K) from each threaded rod (L) and loosen the second thumb screw (K) to expose half of the threads.
2. Slide one piece of glass (J) between outer ring and lightguide. Slide the threaded rod (L) with thumb screw (K) attached through the glass and slot in outer ring.

Note: Glass thickness will vary. It may be necessary to unscrew the attached thumbscrew a couple of turns to allow the threaded rod to engage with the second thumbscrew.

3. Slide shim piece over threaded rod (L) so that black rubber dots press against the outer ring.
4. Press second piece of glass (J) against shim and secure in place with thumb screw (K) but do not tighten completely.
5. Repeat for all remaining glass (J).
6. It may be necessary to use a thin tool such as a screw driver to rotate shims so that they are aligned with the ring.
7. Tighten all thumb screws (K) equally.
8. Pull cables (D) through grippers (H) until desired fixture (G) height is achieved making sure to keep fixture level.

Note: If fixture (G) needs to be lowered, push down on the top of canopy gripper (H) to release cable.

9. Once desired height of the fixture (G) is achieved, thread gripper lock (I) back onto gripper (H) and cut off the excess cable (D) as close to the gripper (H) as possible.
10. Restore electricity at main breaker.



If you need further assistance, or find that you are missing any parts, please contact the dealer from which you purchased this product. We hope you enjoy your fixture!

*** Hubbardton Forge will not be liable for injury or damage caused by improper installation, lamping or use of this fixture.**