

Installation Instructions

Portico Outdoor Sconces 30-4320, 30-4325, & 30-4330

B327

Page 1 of 3

CAUTION: FAILURE TO INSTALL THIS FIXTURE PROPERLY MAY RESULT IN SERIOUS PERSONAL INJURY OR DEATH AND PROPERTY DAMAGE. We recommend installation by a licensed electrician.

This product must be installed in accordance with applicable installation code(s), by a person familiar with the construction and operation of the product and the hazards involved.*

Caution: Do not exceed maximum wattage noted on fixture. Use only recommended bulbs with fixture.

Please Note: This fixture is designed to be mounted on a standard wall surface and may not be suitable for all applications. If installing in a non-wood frame application, we recommend consulting a qualified builder or electrician.

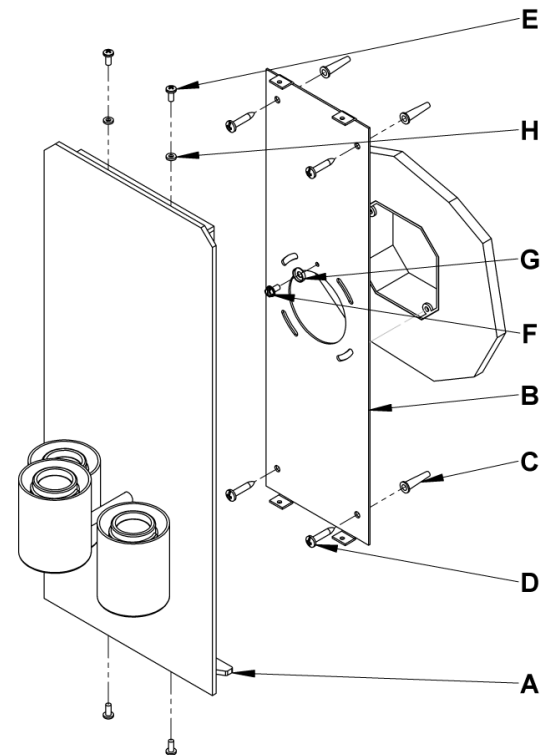
To Mount Fixture to Wall (Figure 1 & 2)

Component Parts

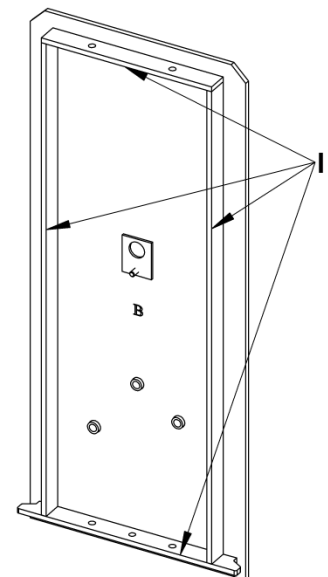
A	Fixture Assembly	F	Ground Screw
B	Mounting Bracket	G	Cupped Washer
C	Anchors (4)	H	Rubber Washers (2)
D	#10 Screws (4)	I	Caulking Lip
E	#8 Screws (4)		

Caution: Be sure power is off at the main breaker box prior to installation.

1. Carefully unpack the fixture from the carton.
2. Center the mounting bracket (B) over the electrical box being sure to hold it plumb and level. With a pencil, mark the location of all mounting holes in the mounting bracket on the wall behind.
3. Put the mounting bracket (B) down and drill 1/4" holes in the locations marked on the wall. For holes using anchors (C), place the tapered end of the anchors (C) into the holes and gently tap them flush to the wall using a light weight hammer.
4. Thread the wires in the electrical box through the center hole in the mounting bracket (B) while moving the bracket into position. Using the #10 screws (D), screw the bracket securely to the wall. Be careful not to over-tighten or strip the anchors.
5. Hold the fixture assembly (A) close to the mounting bracket and using suitable wire connectors (not provided), connect fixture wires to supply wires (white to white and black to black). Run a pigtail lead from the crossbar ground screw (F) and cupped washer (G) to the electrical box and connect all ground wires (bare copper or green to bare copper or green).
Caution: Make sure wire connectors are twisted on securely, and no bare wires are exposed.
6. Apply a generous bead of a suitable caulking material to caulking lip (I) on fixture. (Figure 2)
7. Carefully tuck all wires behind the fixture assembly (A) and inside the mounting bracket (B). Place the fixture firmly onto mounting bracket (B) and fasten with #8 screws (E) and rubber washer (H) on top and #8 screws (E) on bottom.



(Figure 1)



(Figure 2)

Installation Instructions

Portico Outdoor Sconces 30-4320, 30-4325, & 30-4330

B327

Page 2 of 3

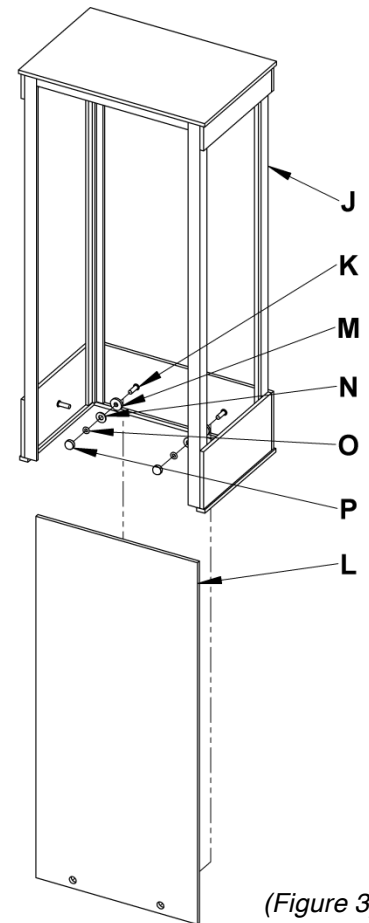
(continued)

To Install Outer Glass (Figure 3)

Component Parts

- J Front Cage
- K Stud (4)
- L Glass Panel (3)
- M Rubber Washer (4)
- N Metal Washer (4)
- O O-Ring (4)
- P Knurled Ball (4)

1. Remove knurled balls (P), o-rings (O), and metal washers from studs (K) and retain for later use. Leave rubber washers (M) on studs (K). *(Parts ship installed.)*
2. Slide glass panel (L) up into front cage (J) until holes in glass align with studs (K).
3. Place metal washer (N) followed by o-ring (O) onto studs (K).
4. Secure with knurled ball (P).
5. Repeat with remaining glass panels (L).



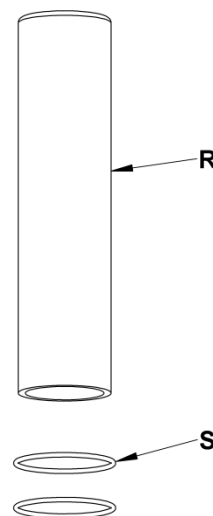
(Figure 3)

To Install Inner Glass (Figure 4 & 4A)

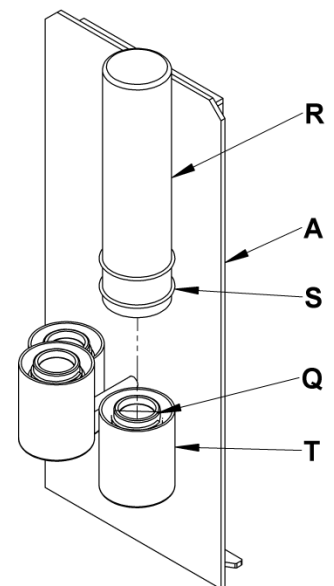
Component Parts

- A Fixture Assembly
- Q Socket
- R Inner Glass
- S O-Ring
- T Fixture Cup

1. Install bulb into socket (Q). *(bulbs not provided)*
2. Stretch and roll two o-rings (S) onto inner glass (R).
Note: leave o-rings near bottom of glass so o-rings aren't visible after installation.
3. Slip inner glass (R) over bulb and socket (Q) until o-rings (S) are inside of the fixture cup (R).
4. Repeat on remaining sockets if necessary.



(Figure 4)



(Figure 4A)

(continued)

Installation Instructions

Portico Outdoor Sconces 30-4320, 30-4325, & 30-4330

B327

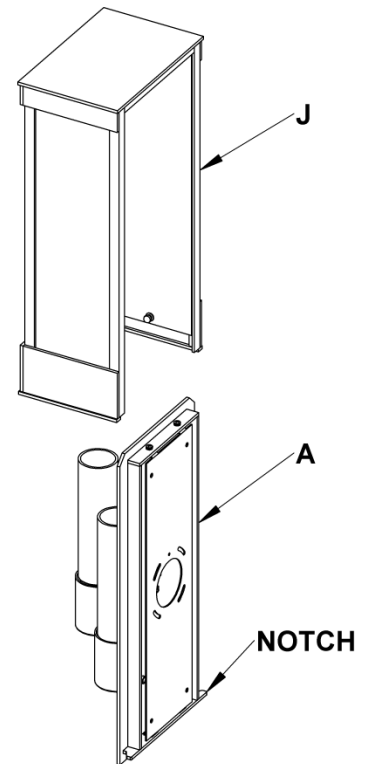
Page 3 of 3

To Complete Installation (Figure 5)

Component Parts

- A Fixture Assembly
- J Front Cage

1. Place front cage (J) over the top of fixture assembly (A).
2. Slide front cage (J) down fixture assembly (A) until it slides past the notch on the fixture assembly (A).
3. Restore electricity at main breaker.



(Figure 5)

If you need further assistance, or find that you are missing any parts, please contact the dealer from which you purchased this product. We hope you enjoy your fixture!

* Hubbardton Forge will not be liable for injury or damage caused by improper installation, lamping or use of this fixture.