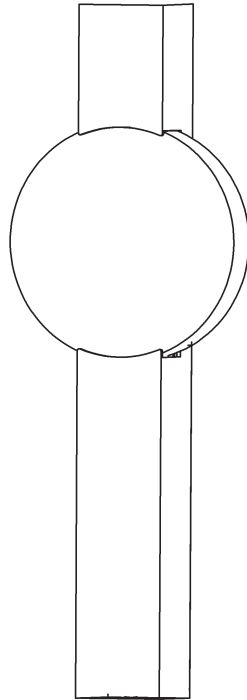


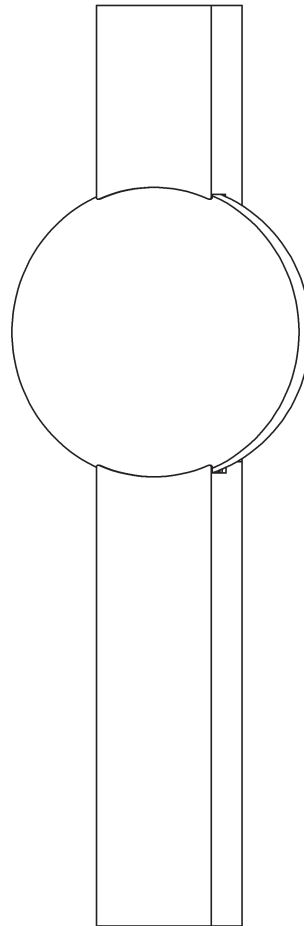
ASSEMBLY & INSTALLATION INSTRUCTIONS

B404

Port Washington Outdoor Sconces 302820 & 302823



302820



302823



HUBBARDTON FORGE.

MODERN AMERICAN BLACKSMITHS | FINE, HAND CRAFTED LIGHTING
CASTLETON, VERMONT USA | HUBBARDTONFORGE.COM

Component Parts

- A Fixture**
- B Front Tube**
- C Thumb Screw (2)**
- D Rubber Washer (4)**
- E Mounting Bracket**
- F Ground Screw**
- G Cupped Washer**
- H Caulking Lip**
- I #8 Screws (4)**
- J Glass**
- K Nylon tip screws (2)**
- L Glass Shield**
- M Bulb (Not Included)**
- N Wet Location Bulb (Not Included)**
- O Top Socket**
- P Curved Plate**



ASSEMBLY & INSTALLATION INSTRUCTIONS

B404

Port Washington Outdoor Sconces 302820 & 302823

CAUTION: FAILURE TO INSTALL THIS FIXTURE PROPERLY MAY RESULT IN SERIOUS PERSONAL INJURY OR DEATH AND PROPERTY DAMAGE. We recommend installation by a licensed electrician. This product must be installed in accordance with applicable installation code(s), by a person familiar with the construction and operation of the product and the hazards involved.*

Caution: Do not exceed maximum wattage noted on fixture. Use only recommended bulbs with fixture.

Please Note: After installation extra hardware and accessories are possible; our kits are used on multiple products.

To Attach to Wall (Figures 1 - 3)

CAUTION: BE SURE POWER IS OFF AT THE MAIN BREAKER BOX PRIOR TO INSTALLATION.

1. Carefully unpack the fixture (A) from the carton.
2. Remove mounting bracket (E) from fixture and set aside.
3. Remove the thumb screws (C). Slide front tube (B) downward and detach from fixture (A). Set front tube aside for later use (Figure 1).

See Figures 2 & 3 on the next page for the following instructions

4. Using two machine screws (not provided) attach mounting bracket (E) to the electrical box.

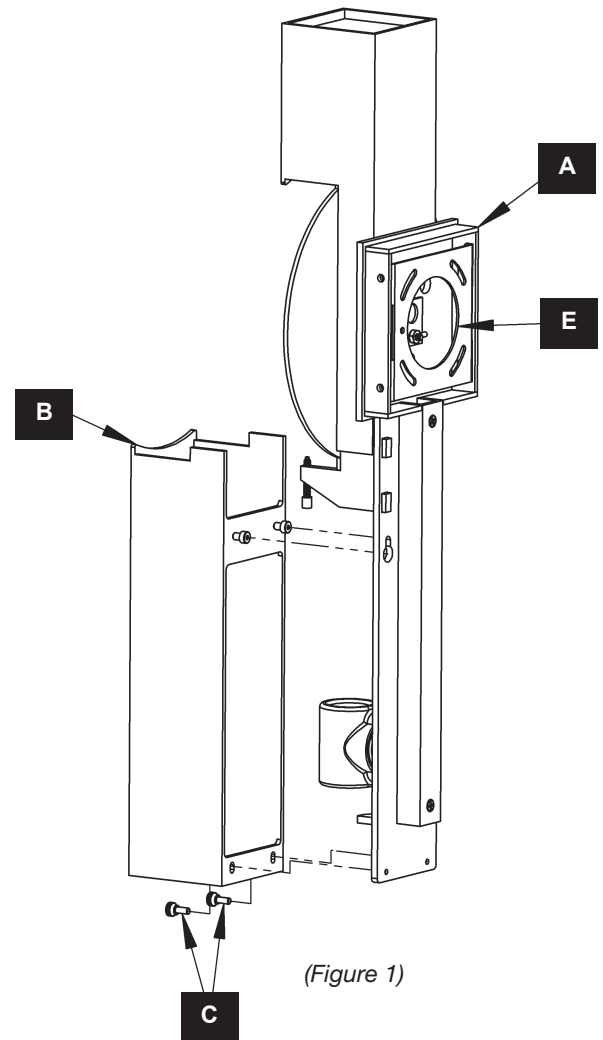
Note: A new electric box comes with screws. When replacing a fixture, retain the existing screws for use with the new fixture.

5. Using the green ground screw (F) and the cupped washer (G) in kit bag, secure a pigtail lead to the mounting bracket (E).
6. Hold the fixture (A) close to the mounting bracket (E) and using suitable wire connectors (not provided), connect fixture wires to supply wire (white to white and black to black). Connect all ground wires (bare copper or green to bare copper or green).

CAUTION: MAKE SURE WIRE CONNECTORS ARE TWISTED ON SECURELY, AND NO BARE WIRE IS EXPOSED.

7. Apply a generous bead of a suitable caulking material (not provided) to caulking lip (H) on the fixture. Caulk should be applied around the entire perimeter of the backplate (Figure 3).
8. Carefully tuck all wires behind fixture and inside the mounting bracket (E). Place fixture firmly onto bracket and fasten with four #8 screws (I) and rubber washers (D).

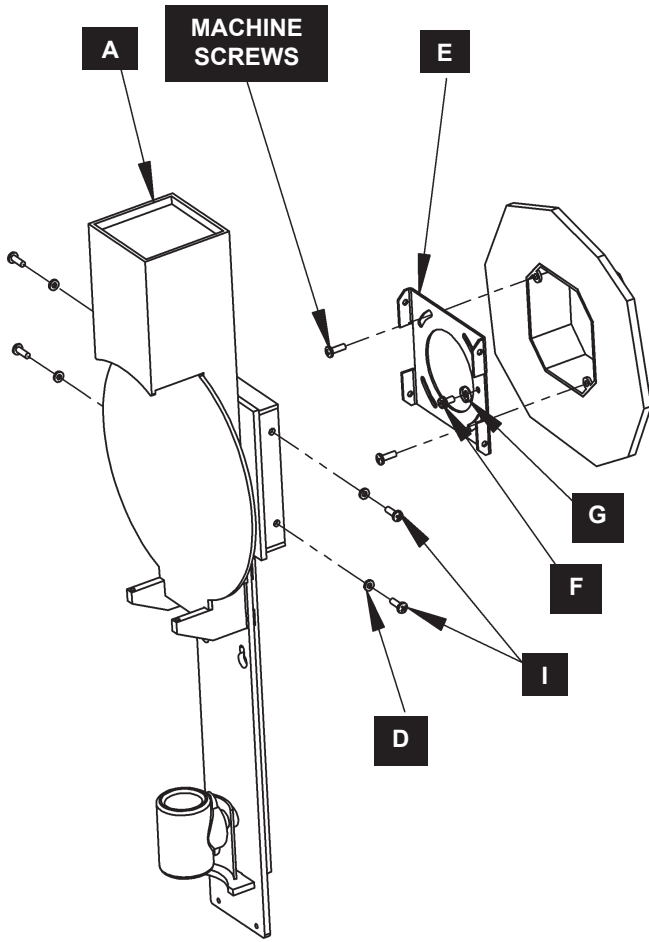
Note: Be sure no wires are pinched between wall and fixture.



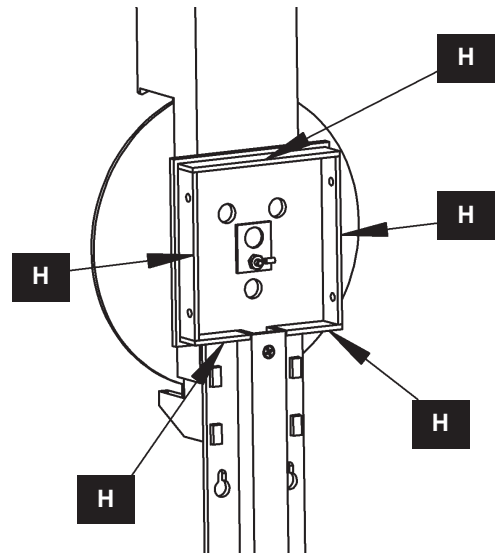
ASSEMBLY & INSTALLATION INSTRUCTIONS

B404

Port Washington Outdoor Sconces 302820 & 302823



(Figure 2)



(Figure 3)



HUBBARDTON FORGE.

MODERN AMERICAN BLACKSMITHS | FINE, HAND CRAFTED LIGHTING
CASTLETON, VERMONT USA | HUBBARDTONFORGE.COM

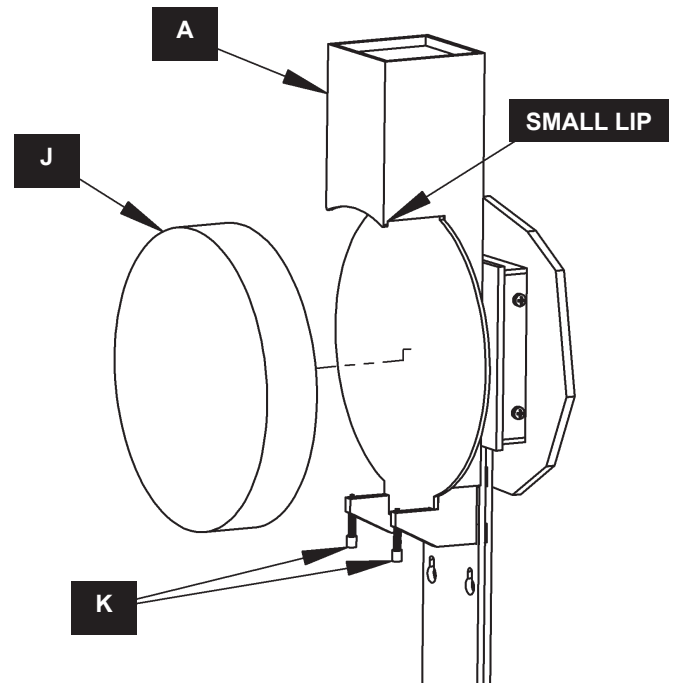
To Install Glass (Figures 4 & 5)

1. Unpack glass (J).
2. Loosen nylon tip screws (K) on fixture (A) to leave room for glass (J).
3. Place glass (J) into fixture (A). Make sure the back of the glass is clean before installation. Tighten the nylon tip screws (K) while holding the glass on the front and sides.

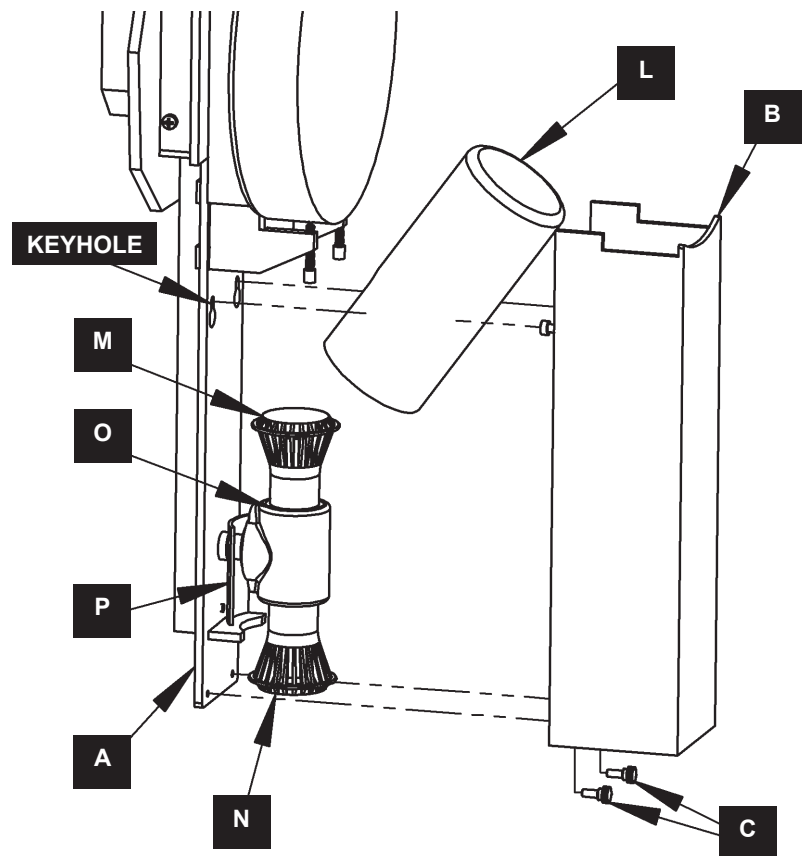
Note: The glass will sit behind a small lip at the top.

CAUTION: DO NOT LET GO OF GLASS UNTIL IT'S SECURED BEHIND THE SMALL LIP AND THE NYLON TIP SCREWS ARE TIGHT.

4. Once the glass (J) is secured, clean the front and sides with suitable glass cleaner.
5. Unpack glass shield (L).
6. Install Bulb (M) (not included) into the top socket (O). Install wet location bulb (N) (not included) in lower socket.
7. Install glass shield (L) over bulb (M) and let it rest on fixture (A) with the curved plate (P) on the inside of the glass shield.
8. Carefully slide front tube (B) around glass shield (L). Engage the keyholes on the fixture, slide the front tube (B) upward, and secure with two thumb screws (C) on bottom.
9. Restore electricity at main breaker.



(Figure 4)



(Figure 5)