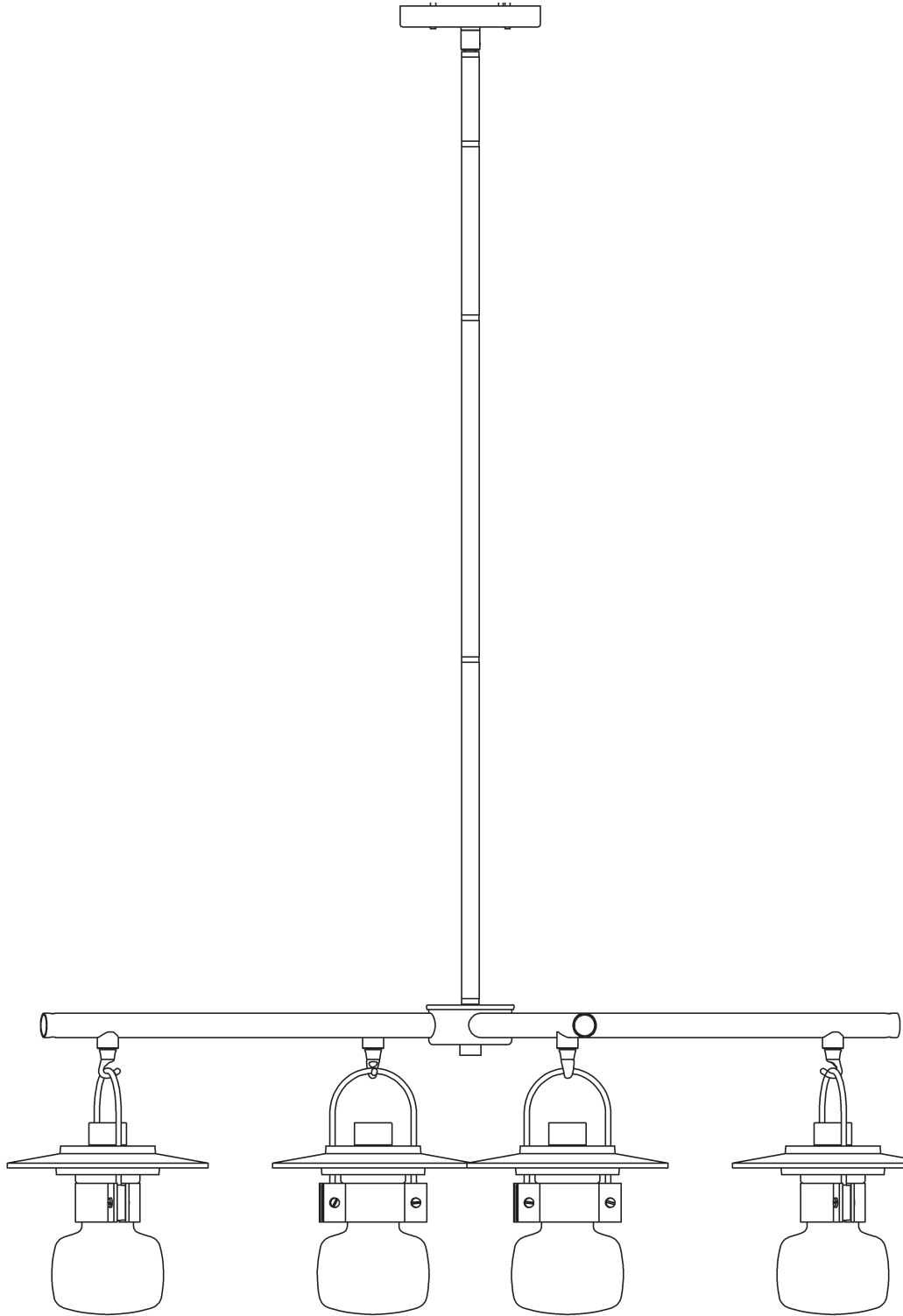


ASSEMBLY & INSTALLATION INSTRUCTIONS

A683

Mason Outdoor Dining Pendant 364212



HUBBARDTON FORGE.

MODERN AMERICAN BLACKSMITHS | FINE, HAND CRAFTED LIGHTING
CASTLETON, VERMONT USA | HUBBARDTONFORGE.COM

Component Parts

- A Fixture**
- B Fixture Coupling**
- C Canopy**
- D Crossbar**
- E Ground Screw**
- F Threaded Stud (2)**
- G Knurled Ball (2)**
- H 3" Fixture Pipe (1)**
- I 6" Fixture Pipe (1)**
- J 12" Fixture Pipe (2)**
- K Single Pipe Coupling (1)**
- L Double Pipe Coupling (3)**
- M Glass (4)**
- N Decorative Bands (8)**
- O Binding Screw (8)**



ASSEMBLY & INSTALLATION INSTRUCTIONS

A683

Mason Outdoor Dining Pendant 364212

CAUTION: FAILURE TO INSTALL THIS FIXTURE PROPERLY MAY RESULT IN SERIOUS PERSONAL INJURY OR DEATH AND PROPERTY DAMAGE. We recommend installation by a licensed electrician. This product must be installed in accordance with applicable installation code(s), by a person familiar with the construction and operation of the product and the hazards involved.*

Caution: Do not exceed maximum wattage noted on fixture. Use only recommended bulbs with fixture.

Please Note: After installation extra hardware and accessories are possible due to our kits are used on multiple products and options.

To Install Fixture (Figure 1)

CAUTION: BE SURE POWER IS OFF AT THE MAIN BREAKER BOX PRIOR TO INSTALLATION.

1. Carefully unpack the fixture from the carton.
2. Feed supply wires through the center of the crossbar (D). Using two machine screws (not provided), fasten the crossbar (D) to the electric box.

Note: A new electric box comes with screws. When replacing a fixture, retain the existing screws for use with the new fixture.

3. Thread studs (F) through appropriate holes in crossbar (D) to match holes in canopy (C).
4. Locate fixture pipes (H, I, J), fixture (A) and couplings (K & L). Couplings are shipped threaded into the pipes (H, I, J). Unthread couplings from pipes.
5. Provided are multiple fixture pipes in three different lengths. Choose the combination that will achieve the overall height desired. Refer to the table below to determine the pipes required to reach the desired overall height. Once you have determined the components necessary, feed the wires that exit the fixture coupling (B) through the individual components. Wires will slip easier through loose components than through pipes and couplings that are pre-assembled.

		Overall Height of Fixture										
		16.1"	19.1"	22.3"	25.1"	28.3"	31.3"	34.5"	37.3"	40.5"	43.5"	46.7"
# of Pipes Required	3" Pipe (H)	1		1		1		1		1		1
	6" Pipe (I)		1	1			1	1			1	1
	12" Pipe (J)				1	1	1	1	2	2	2	2

6. Apply a drop of the supplied thread locking compound to the internal threads of fixture coupling (B) and pipe couplings (K, L). Thread pipes (H, I & J) and pipe couplings (K, L) together. The single pipe coupling (K) will thread on the end of the pipe that will be attached to the canopy (C).

Note: Application of the thread locking compound is necessary to prevent the stem from loosening during regular maintenance and cleaning of the fixture. Be certain to apply the compound.

7. Feed wires through the canopy (C).
8. Thread canopy (C) onto fixture pipe assembly.

ASSEMBLY & INSTALLATION INSTRUCTIONS

A683

Mason Outdoor Dining Pendant 364212

9. Raise fixture close to ceiling.
10. Using suitable wire connectors (not provided) connect fixture wires to supply (white to white and black to black). Attach a pigtail lead to the crossbar ground screw (E). Connect all ground wires (bare copper or green to bare copper or green).

CAUTION: MAKE SURE WIRE CONNECTORS ARE TWISTED ON SECURELY, AND NO BARE WIRE IS EXPOSED.

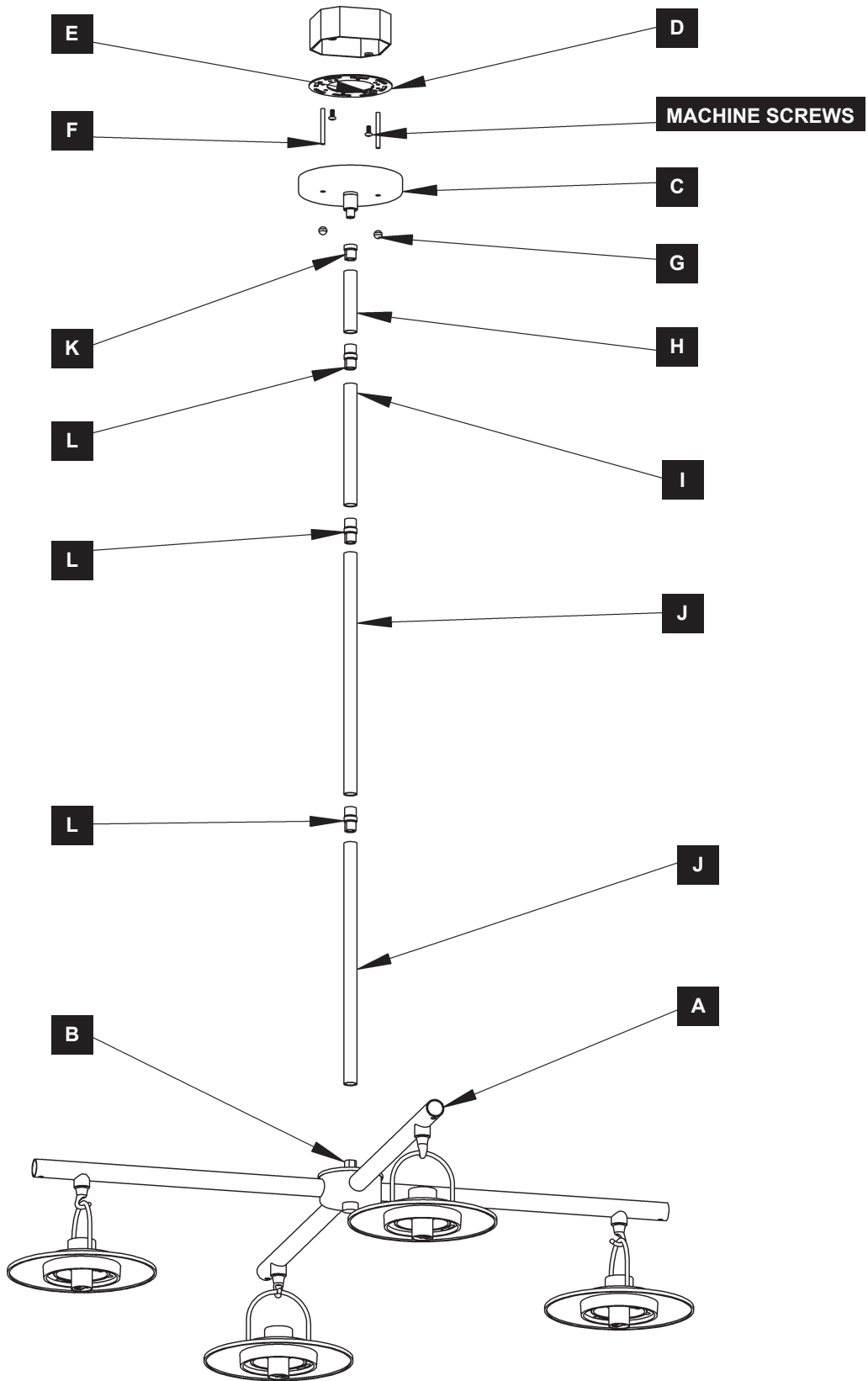
11. Slide canopy (C) over threaded studs (F) and push firmly to ceiling, making sure that no wires are pinched between fixture canopy (C) and ceiling. Fasten with knurled balls (G). Be sure studs (F) are fully seated in the knurled knobs (G).
12. See instructions on page 6 to complete installation.



ASSEMBLY & INSTALLATION INSTRUCTIONS

A683

Mason Outdoor Dining Pendant 364212



(Figure 1)



HUBBARDTON FORGE.

MODERN AMERICAN BLACKSMITHS | FINE, HAND CRAFTED LIGHTING
CASTLETON, VERMONT USA | HUBBARDTONFORGE.COM

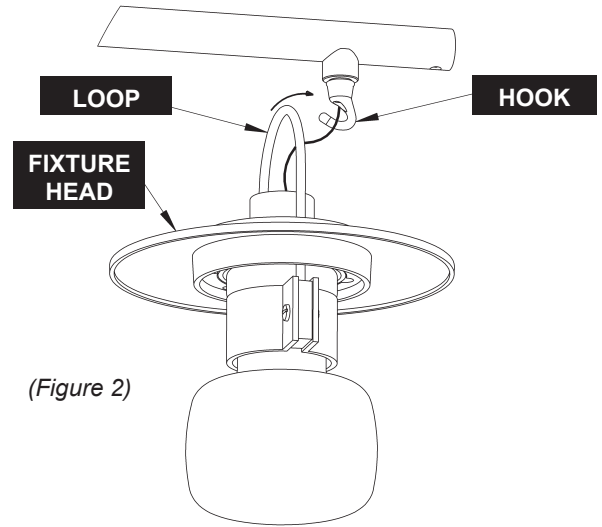
ASSEMBLY & INSTALLATION INSTRUCTIONS

A683

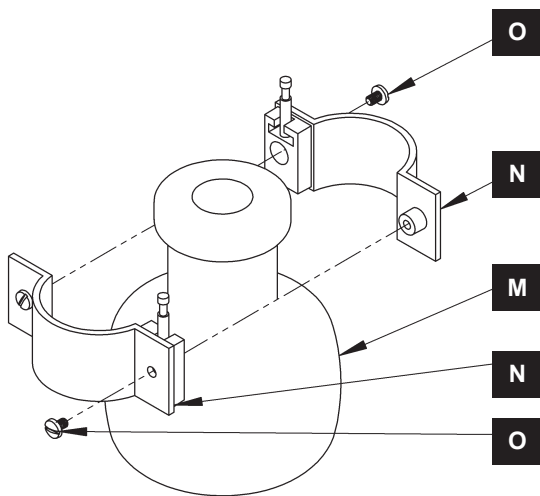
Mason Outdoor Dining Pendant 364212

To Install Glass (Figures 2,3 & 4)

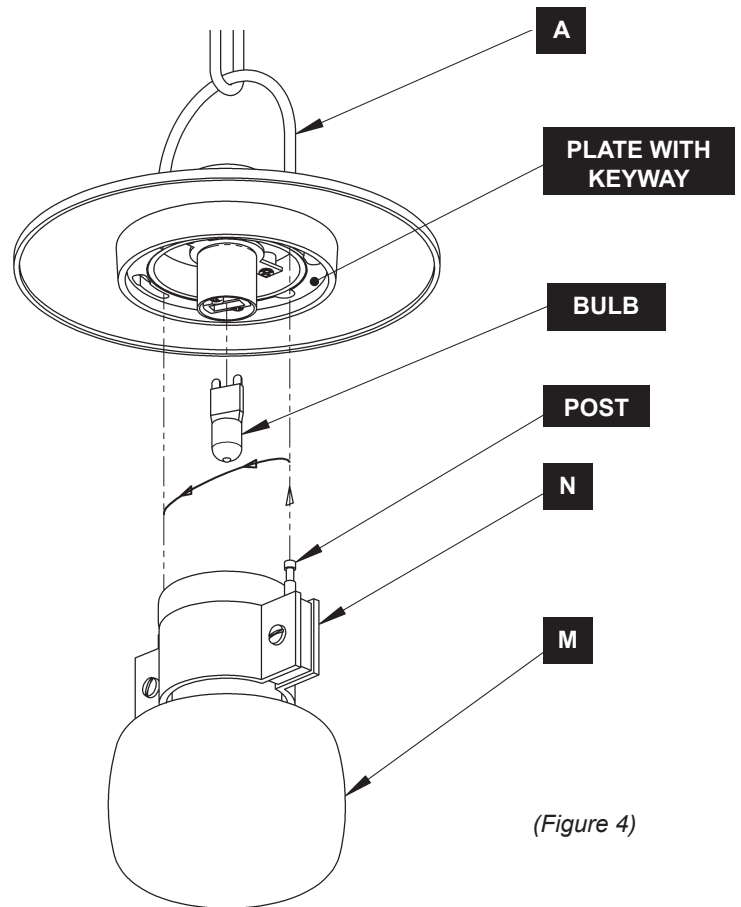
1. The fixture heads are shipped not installed on the hooks.
2. Snap fixture head loop into hook. Repeat for all fixture heads.
3. Locate glass (M) and decorative bands (N).
4. Binding screws (O) are shipped installed in the decorative bands (N). Remove binding screws (O)
5. Place decorative bands (N) around neck of glass (M).
6. Secure bands with binding screws (O)
7. Install bulb (not provided).
8. Raise glass (M) so that posts on Decorative band (N) pass through the plate with the keyway.
9. Rotate decorative band (N) to the left until the posts stop.
10. Lower band (N)/glass (M) to engage .
11. Repeat for remaining bulb, glass (M) and bands (N)
12. Restore electricity at main breaker.



(Figure 2)



(Figure 3)



(Figure 4)

If you need further assistance, or find that you are missing any parts, please contact the dealer from which you purchased this product. We hope you enjoy your fixture!

* Hubbardton Forge will not be liable for injury or damage caused by improper installation, lamping or use of this fixture.