

Assembly & Installation Instructions

For Oval Mackintosh Pendant 13-4325 & 13-4328

A87

Page 1 of 3

CAUTION: FAILURE TO INSTALL THIS FIXTURE PROPERLY MAY RESULT IN SERIOUS PERSONAL INJURY OR DEATH AND PROPERTY DAMAGE. We recommend installation by a licensed electrician.

This product must be installed in accordance with applicable installation code(s), by a person familiar with the construction and operation of the product and the hazards involved.*

Caution: Do not exceed maximum wattage noted on fixture. Use only recommended bulbs with fixture.

Attach Fixture Pipes to Fixture

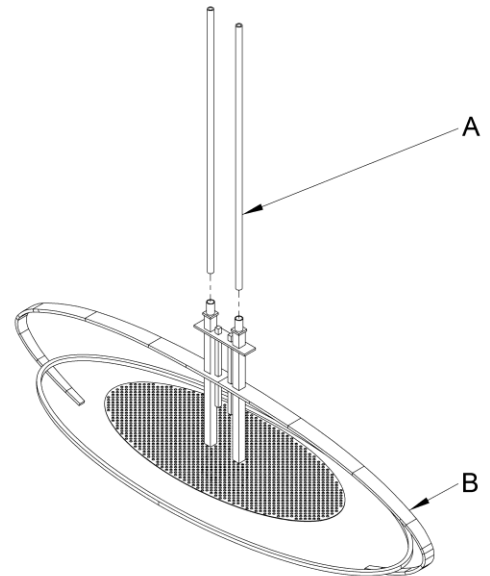
Component Parts

- A Fixture Pipe (2)
- B Fixture

1. Carefully unpack the fixture from the carton.
2. Carefully slide fixture pipe (A) over fixture wires.
3. Apply a drop of the supplied thread locking compound to the internal threads at the top of the fixture (B) and screw fixture pipe into fixture, being careful not to twist the wires.

Note: Application of the thread locking compound is necessary to prevent the stem from loosening during regular maintenance and cleaning. Be certain to apply the compound.

4. Refer to canopy attachment and installation instructions to complete the installation.



(Figure 1)

Assemble Canopy

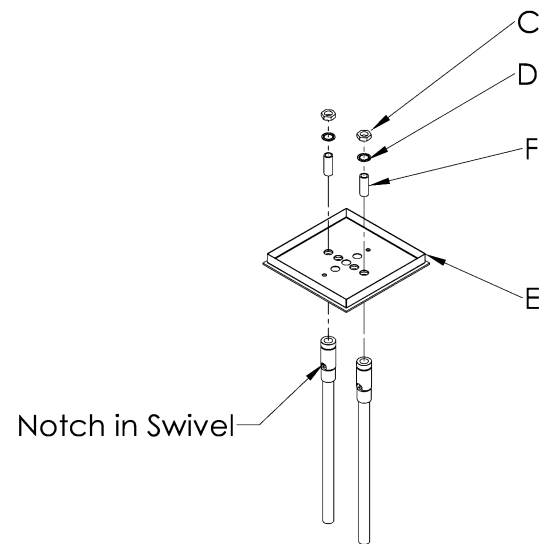
Component Parts

- C Hex Nut (2)
- D Lock Washer (2)
- E Canopy
- F Nipple (2)

1. Insert nipple (F) in swivel up through holes in canopy (E).
2. Place lock washer (D) and nut (C) onto the nipple (F) in swivel and tighten securely.

Note: If installing on a sloped ceiling, make certain that the notch in the swivel portion of the stem is oriented toward the lower side of the slope.

Please refer to the canopy installation instructions to complete the installation



(Figure 2)

Assembly & Installation Instructions

For Oval Mackintosh Pendant 13-4325 & 13-4328

A87

Page 2 of 3

Assemble Fixture (Figures 3 & 4)

Components

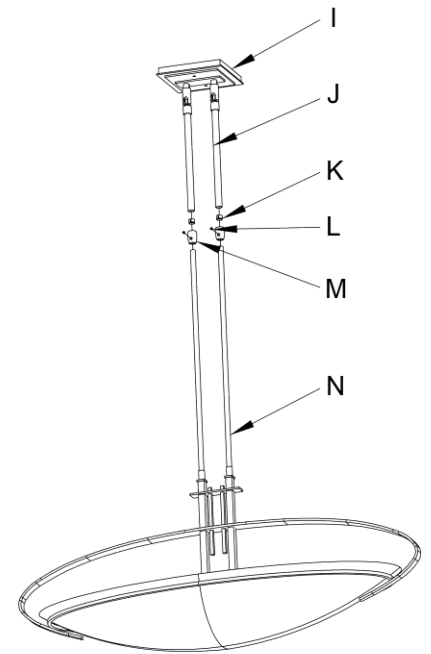
I	Canopy	L	Set screw
J	Canopy pipe	M	Clutch
K	Clutch sleeve	N	Fixture pipe

1. Slip the wires from the fixture pipe (N) into and through the canopy pipe (J) up through the canopy (I).
2. Unscrew the clutch (M) from the canopy pipe (K); slide it across the wires and onto the fixture pipe (N). Follow this with the plastic clutch sleeve (K), oriented so the tapered end of the clutch sleeve nests in the clutch.
3. Slide the canopy pipe (J) as far as necessary to give you the total length of the fixture which you desire. Be careful not to scratch the pipe surfaces and to pull excess wire up through the canopy pipe (J). There must be a minimum 1-1/2" of inner pipe inside the outer pipe. Screw clutch onto canopy pipe (J) and hand-tighten the clutch to temporarily hold this adjustment. Tighten the set screws (L) firmly with hex wrench provided.

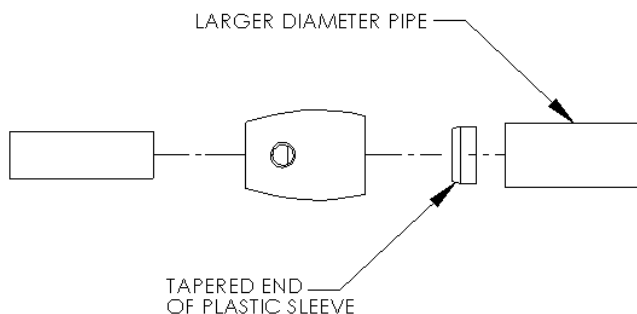
Important: To ensure full connection strength, be sure the tapered end of the plastic clutch sleeve is oriented toward the clutch when assembled and securely tighten set screw (Figure 4).

4. **Stop.** Please see installation instructions below.

Note: If your fixture has more than one set of pipes or stems in the canopy you will need to level the fixture. While **always** leaving one clutch firmly locked with the set screw, loosen the other(s). Raise or lower the pipe(s) in the other clutch to obtain plum and level and then tighten the set screw(s).



(Figure 3)



(Figure 4)

(continued)

Assembly & Installation Instructions

For Oval Mackintosh Pendant 13-4325 & 13-4328

A87

Page 3 of 3

For fixtures requiring assembly, please refer to assembly instructions before installation.

Install Fixture (Figure 5)

Component Parts

- I Canopy
- O Crossbar
- P Threaded stud (2)
- Q Ground screw
- R Knurled ball (2)

Caution: Be sure power is off at the main breaker box prior to installation.

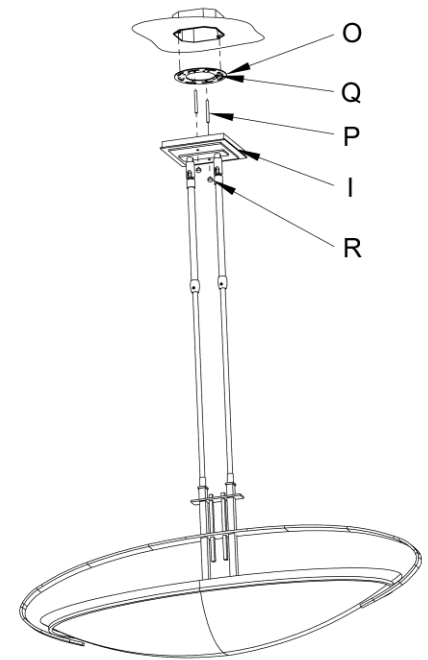
1. Thread studs (P) through appropriate holes in the crossbar (O) to match hole centers on canopy (I). Move ground screw (P) to another available threaded hole if necessary.
2. Using two machine screws (not provided), fasten the crossbar (O) to the electric box using outer oval slots to orient fixture to desired hanging position.

Note: A new electric box comes with screws. When replacing a fixture, retain the existing screws for use with the new fixture.

4. Using suitable wire connectors (not provided) connect fixture wires to supply (white to white and black to black). Connect all ground wires to green ground screw (Q).

Caution: Make sure wire connectors are twisted on securely, and no bare wire is exposed.

5. Slide fixture canopy (I) with fixture attached, over threaded studs (P) and push firmly to ceiling making sure that no wires are pinched between fixture canopy and ceiling. Fasten with the knurled balls (R). Be sure studs (P) are fully seated in the knurled balls (R).
6. Check fixture for height and level (see assembly instructions).
7. Install light bulbs (not included).
8. Install Glass by tilting it, sliding it into place and leveling it. Glass rests on lower ring with no hardware.
9. Restore electricity at main breaker box.



(Figure 5)

A Note about Oval Glass

Slight variations in the oval glass shape are normal. This is a kiln-formed glass that goes through a dynamic stretching and pulling process that simpler shapes do not. To make the oval, the artisan heats the flat glass to over 1,200 degrees and then uses gravity to form it into a deep curve. Each piece of glass is unique, and slight variations in shape are a normal result of this process.

If you need further assistance, or find that you are missing any parts, please contact the dealer from which you purchased this product. We hope you enjoy your fixture!

* Hubbardton Forge will not be liable for injury or damage caused by improper installation, lamping or use of this fixture.