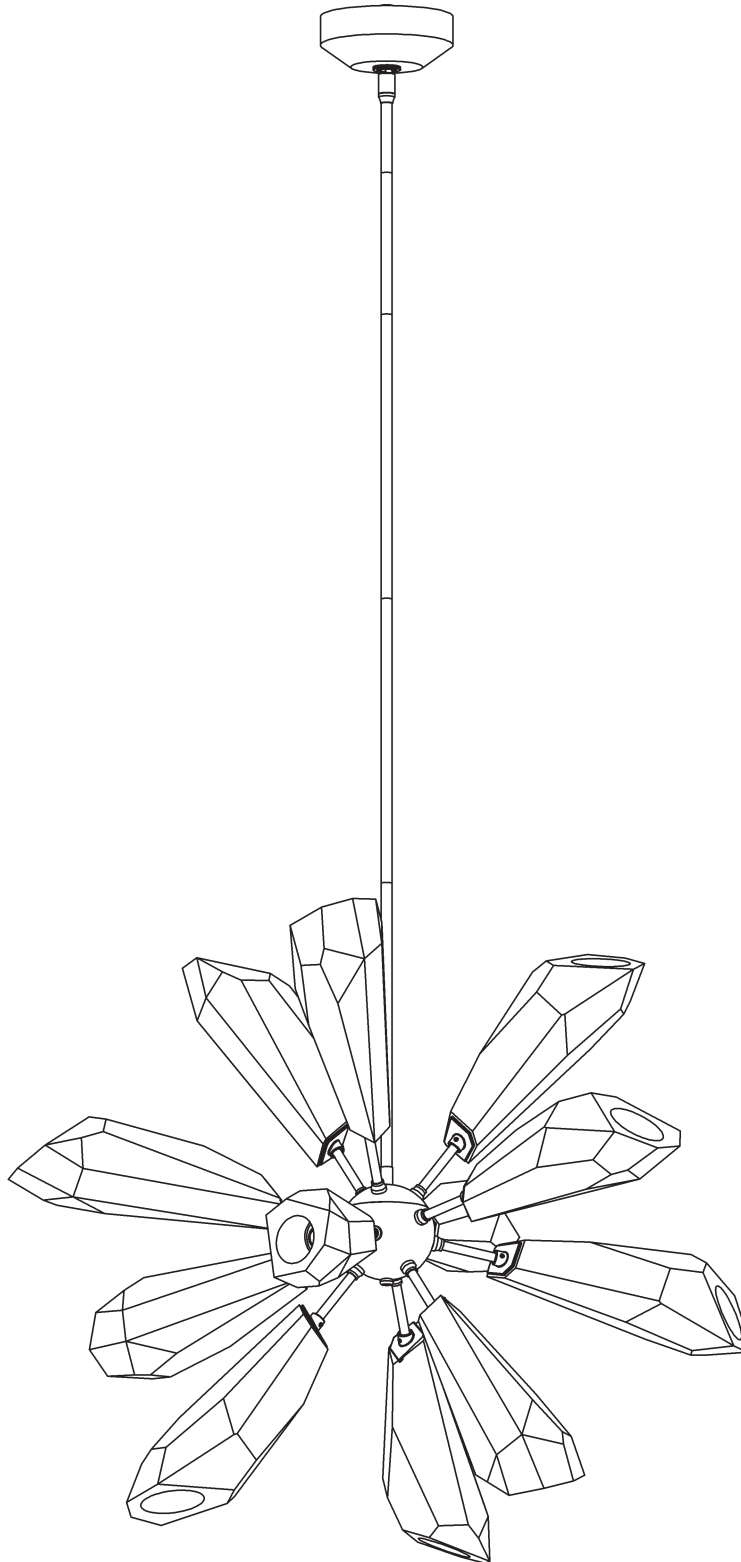


ASSEMBLY & INSTALLATION INSTRUCTIONS

A883

Luma 12 Light Pendant 131321



Luma 12 Light Pendant 131321

Component Parts

- A Fixture**
- B Crossbar**
- C Mounting Bracket**
- D Jam Nut (2)**
- E Threaded Nipple**
- F Ground Screw**
- G Cupped Washer**
- H Canopy Ring**
- I Canopy**
- J Swivel**
- K 3" Fixture Pipe (1)**
- L 6" Fixture Pipe (1)**
- M 12" Fixture Pipe (3)**
- N Stem Nipples (6)**
- O Lag Screw (2)**
- P Support Cable**
- Q Cable Gripper**
- R Flat Head Screw**
- S Socket (12)**
- T Bulb (12) - *Not Included***
- U Crystal (12)**
- V Retainer (12)**
- W Retainer Tool**
- X Holder (12)**
- Y Set Screw (12)**



ASSEMBLY & INSTALLATION INSTRUCTIONS

A883

Luma 12 Light Pendant 131321

CAUTION: FAILURE TO INSTALL THIS FIXTURE PROPERLY MAY RESULT IN SERIOUS PERSONAL INJURY OR DEATH AND PROPERTY DAMAGE. We recommend installation by a licensed electrician. This product must be installed in accordance with applicable installation code(s), by a person familiar with the construction and operation of the product and the hazards involved.*

Caution: Do not exceed maximum wattage noted on fixture. Use only recommended bulbs with fixture.

Please Note: After installation extra hardware and accessories are possible due to our kits are used on multiple products and options.

To Install Fixture (Figure 1 & 2) on following page

CAUTION: BE SURE POWER IS OFF AT THE MAIN BREAKER BOX PRIOR TO INSTALLATION.

1. Carefully unpack fixture (A) from the carton.
2. Thread a jam nut (D) onto threaded nipple (E) and slip through mounting bracket (C). Thread the second jam nut (D) onto threaded nipple (E). Leave all parts loose for now.
3. Using two machine screws (not provided), temporarily fasten crossbar (B) to the electric box.

NOTE: A NEW ELECTRIC BOX COMES WITH SCREWS. WHEN REPLACING A FIXTURE, RETAIN THE EXISTING SCREWS FOR USE WITH THE NEW FIXTURE.

4. Adjust the length of threaded nipple (E) in mounting bracket (C) so that canopy ring (H) will hold canopy (I) against the ceiling with no threads showing for best appearance. When the correct adjustment is established, tighten jam nuts (D) against mounting bracket (C) to secure the adjustment.
5. Remove crossbar (B) from the electrical box and proceed with the assembly instructions.
6. Locate fixture pipes (K, L, M), fixture (A), stem couplings (N) . Stem nipples (N) can be found in the kit bag.
7. Provided are multiple fixture pipes in three different lengths. Choose the combination that will achieve the overall height desired. Refer to the table below to determine the pipes required to reach the desired overall height. Once you have determined the components necessary, feed the wires and support cable (W) that exit fixture (A) through the individual components. Wires will slip easier through loose components than through pipes and nipples that are pre-assembled. Once wires are run, apply thread locking compound to all the connection points and assemble the pipes and couplings.

		36.8	39.8	42.8	45.8	48.8	51.8	54.8	57.8	60.8	63.8
# of Pipes Required	3" Pipe (H)		1		1		1		1		1
	6" Pipe (I)	1	1			1	1			1	1
	12" Pipe (J)	1	1	2	2	2	2	3	3	3	3

NOTE: APPLICATION OF THE THREAD LOCKING COMPOUND IS NECESSARY TO PREVENT THE PIPE FROM LOOSENING DURING REGULAR MAINTENANCE AND CLEANING OF THE FIXTURE. BE CERTAIN TO APPLY THE COMPOUND.

8. Carefully slide canopy ring (H) and canopy (I) over wires, support cable (W) and fixture pipes (K, L, M) until they rest on fixture (A).
9. Remove mounting bracket (C) from crossbar (B) temporarily.
10. Slip wires and support cable (W) from the fixture (A) through assembled swivel (J) and threaded nipple (E).
11. Start cable (W) into gripper (X).
12. Reattach mounting bracket (C) to crossbar (B).
13. Refer to instructions on next page to continue installation.

ASSEMBLY & INSTALLATION INSTRUCTIONS

A883

Luma 12 Light Pendant 131321

14. Pull cable (W) through gripper (X) until cable is tight and has no slack. Once support cable is at the correct height, excess cable behind the gripper can be cut off. Leave approximately one inch of cable past gripper. (Figure 2)
15. Using two machine screws (not provided), fasten crossbar (B) to the electric box. (Figure 1)
16. Using lag screws (O) attach crossbar (B) to a structural member in the ceiling.

Note: Lag screws are supplied with your fixture; however, different materials and/or construction methods may require different fasteners. If in doubt, contact a qualified electrician.

CAUTION: INSTALLER MUST ENSURE THAT THE MOUNTING METHOD IS CAPABLE OF SUPPORTING THE WEIGHT OF THE FIXTURE.

CAUTION: DO NOT RELY ON ELECTRIC BOX ALONE TO SUSPEND FIXTURE. FIXTURE MUST BE ATTACHED TO A STRUCTURAL MEMBER IN THE CEILING.

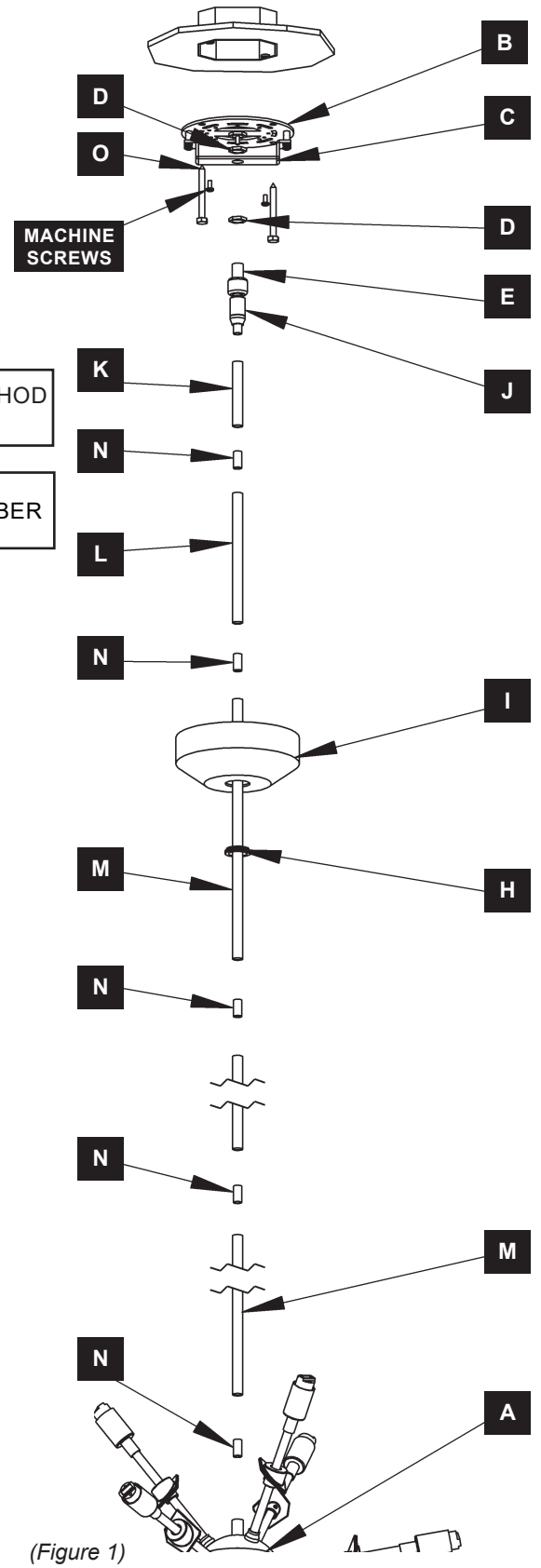
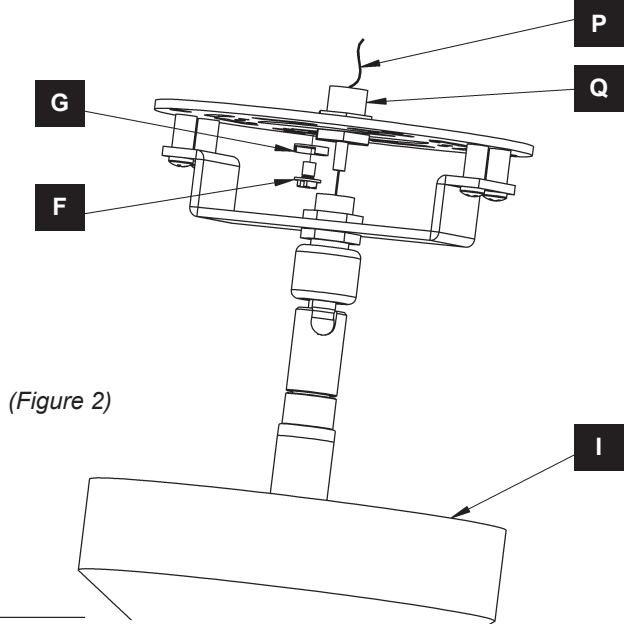
17. Using suitable wire connectors (not provided) connect fixture wires to supply (white/ribbed to white and black/smooth to black). Using cupped washer (G) and ground screw (F) attach a pigtail lead to crossbar (B). Hold canopy (I) close, connect all ground wires (bare copper or green to bare copper or green).

CAUTION: MAKE SURE WIRE CONNECTORS ARE TWISTED ON SECURELY, AND NO BARE WIRE IS EXPOSED.

18. Slide canopy (I) against ceiling, and secure with canopy ring (H).

CAUTION: BE SURE NO WIRES ARE PINCHED BETWEEN CANOPY (H) AND THE CEILING.

19. Refer to instructions on next page to install crystal.



Luma 12 Light Pendant 131321

To Install Crystals *(Figure 3)*

1. Install bulb (T) *(not included)* into socket (S).

2. Locate the crystal (U) and white gloves.

Note: *Using white gloves while handling the crystal will prevent smudges.*

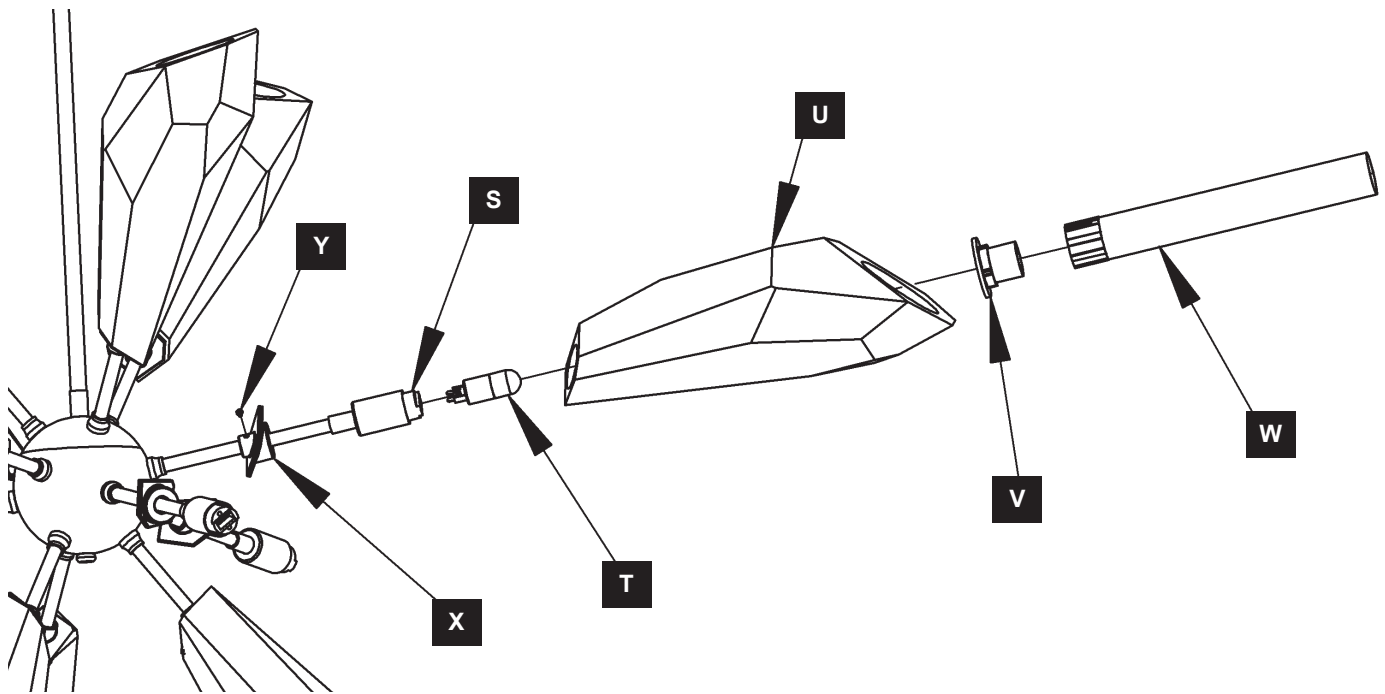
3. Place retainer (V) into tool (W). Slide crystal (U) over socket (S). Using retainer tool (W), thread retainer (V) onto socket (S) to hold crystal (U).

4. Thread set screw (Y), found into kit bag, into holder (X) but leave loose.

5. Hold crystal (U) up against retainer (V) in preferred orientation. Slide holder (X) to crystal (U). Tighten set screw (Y) in holder (X) to secure crystal (U) orientation.

6. Repeat for remaining crystals (U).

7. Restore electricity at the main breaker.



(Figure 3)

If you need further assistance, or find that you are missing any parts, please contact the dealer from which you purchased this product. We hope you enjoy your fixture!

***Hubbardton Forge will not be liable for injury or damage caused by improper installation, lamping or use of this fixture.**