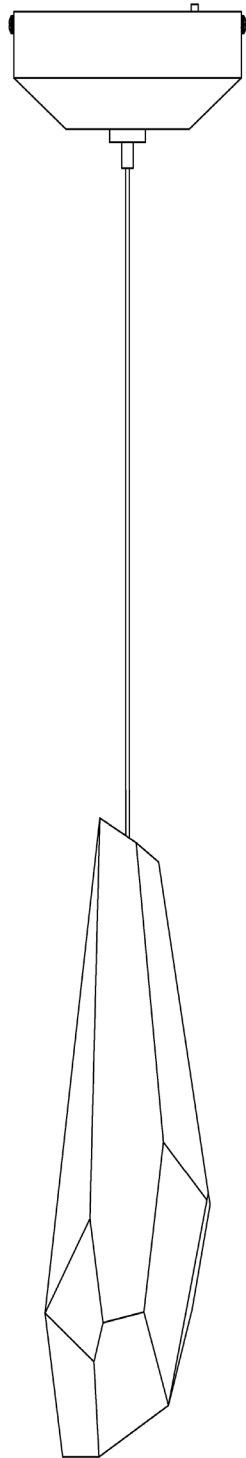


# ASSEMBLY & INSTALLATION INSTRUCTIONS

A532

Luma Kitchen Pendant 161321

---



**Component Parts**

- A Crossbar**
- B Cupped Washer**
- C Ground Screw**
- D Canopy**
- E #8 Screws (2)**
- F Canopy Gripper**
- G Supply/Support Cable**
- H Fixture**
- I Screws with Lock Washer (2)**
- J Canopy Plate**
- K Crystal**
- L Socket**
- M Washer**
- N Retaining Ring**
- O Retaining Ring Tool**

# ASSEMBLY & INSTALLATION INSTRUCTIONS

A532

Luma Kitchen Pendant 161321

**CAUTION: FAILURE TO INSTALL THIS FIXTURE PROPERLY MAY RESULT IN SERIOUS PERSONAL INJURY OR DEATH AND PROPERTY DAMAGE.** We recommend installation by a licensed electrician. This product must be installed in accordance with applicable installation code(s), by a person familiar with the construction and operation of the product and the hazards involved.\*

Caution: Do not exceed maximum wattage noted on fixture. Use only recommended bulbs with fixture.

Please Note: After installation extra hardware and accessories are possible due to our kits are used on multiple products and options.

## To Attach to Ceiling (Figures 1 & 2)

**CAUTION: BE SURE POWER IS OFF AT THE MAIN BREAKER BOX PRIOR TO INSTALLATION.**

1. Carefully unpack fixture from the carton.
2. Crossbar (A) and canopy (D) ship attached. Remove (2) #8 screws (E) to separate the canopy from the crossbar. Retain parts for later use.
3. Using two machine screws (not provided), fasten the crossbar (A) to the electric box.

**Note:** A new electric box comes with screws. When replacing a fixture, retain the existing screws for use with the new fixture.

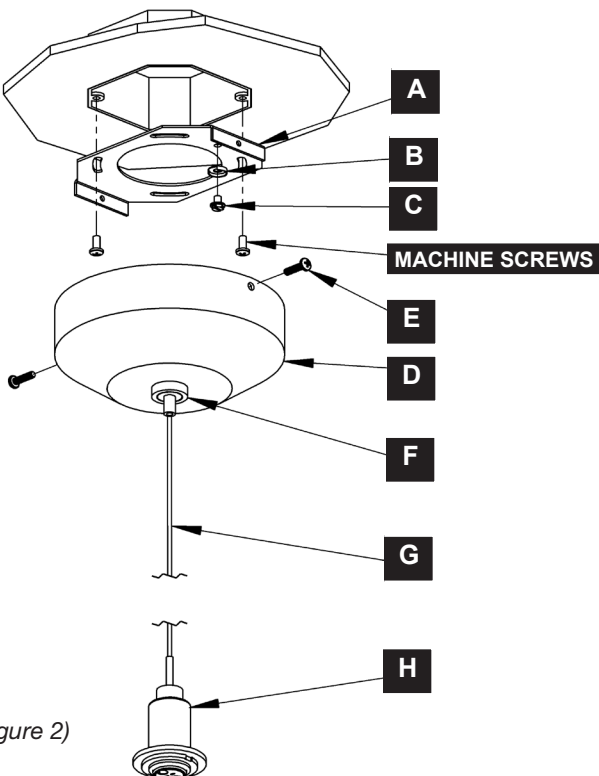
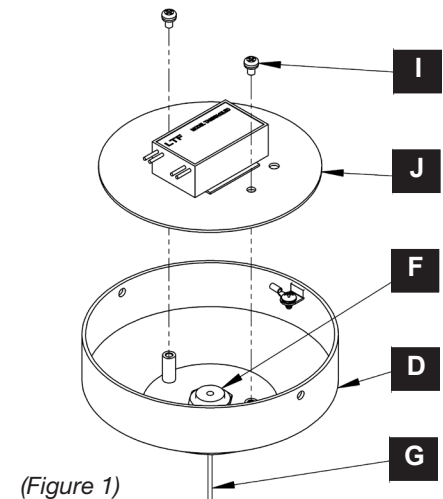
4. Height of fixture can be set before attaching the fixture to the ceiling. Remove screws with lock washers (I) and canopy plate (J) from canopy (D). If height is going to stay at max length or just a slight height adjustment is needed it may not be necessary to remove the canopy plate  
Note: Fixture is shipped at max height.

5. Push supply/support cable (G) into canopy gripper (F) until desired height is reached.
6. Coil supply/support cable (G) in canopy (D) and place canopy plate (J) in canopy. Install screws w/ lock washers (I) to secure plate.

**CAUTION: BE SURE NO WIRES ARE PINCHED BETWEEN THE CANOPY (E) AND THE CEILING.**

7. Raise canopy (D) close to ceiling. Using suitable wire connectors (not provided) connect fixture wires to supply wires (white to white, black to black). Attach a pigtail lead to the crossbar ground screw (C) and the cupped washer (B). Connect all ground wires (bare copper or green to bare copper or green).

**CAUTION: MAKE SURE WIRE CONNECTORS ARE TWISTED ON SECURELY AND NO BARE WIRE IS EXPOSED.**

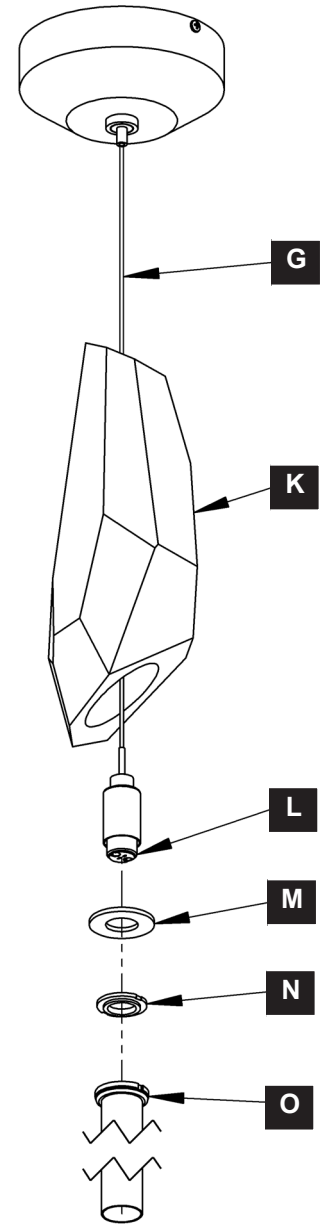


Luma Kitchen Pendant 161321

8. Align holes in canopy (D) with holes in crossbar (A) and secure with (2) #8 screws (E).
9. If fixture height needs to be adjusted to achieve desired height, push up on canopy gripper (F) and gently pull down/push up on supply/support cable (G).  
 Note: Excessive movement of cable through the gripper could cause cable to fray slightly. Usage of the cable gripper is not recommended to frequently adjust the fixture height.

### To Install Crystal (Figure 3)

1. Washer (M) and retaining ring (N) are shipped attached to socket (L). Remove both from socket and retain for later use.
2. Locate the crystal (K) and white gloves.  
 Note: Using white gloves while handling the crystal will prevent smudges.
3. Slide crystal (K) over socket (L) assembly and up supply/support cable (G).  
 Note: For ease of installation, have another person hold crystal up while following steps are done.
4. Place washer (M) over socket (L). Thread retaining ring (N) onto socket to secure washer.
5. Use retaining ring tool (O) to tighten retaining ring (N).
6. Install bulb (not included) into socket (L).
7. Lower crystal (K) down until it rests on washer (M).
8. Restore electricity at the main breaker.



(Figure 3)

If you need further assistance, or find that you are missing any parts, please contact the dealer from which you purchased this product. We hope you enjoy your fixture!

**\* Hubbardton Forge will not be liable for injury or damage caused by improper installation, lamping or use of this fixture.**