

# Installation Instructions

A371

Lisse Chandelier 19204320

Page 1 of 2

**CAUTION: FAILURE TO INSTALL THIS FIXTURE PROPERLY MAY RESULT IN SERIOUS PERSONAL INJURY OR DEATH AND PROPERTY DAMAGE.** We recommend installation by a licensed electrician. This product must be installed in accordance with applicable installation code(s), by a person familiar with the construction and operation of the product and the hazards involved.\*

Caution: Do not exceed maximum wattage noted on fixture. Use only recommended bulbs with fixture.

## Install the Fixture (Figure 1)

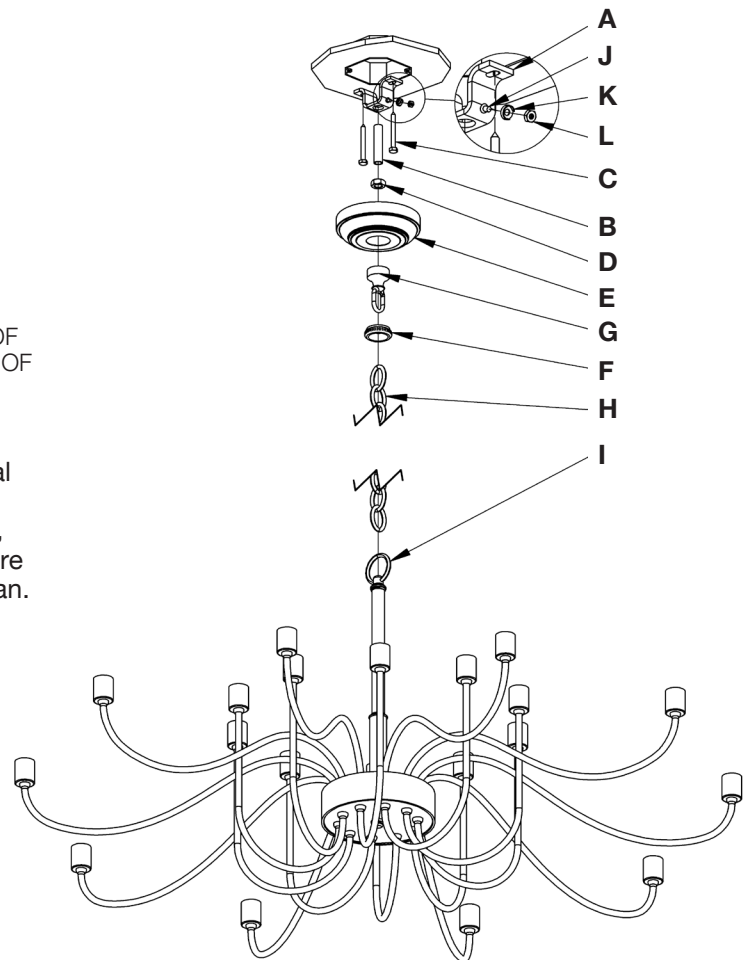
### Component Parts

A Crossbar	G Threaded Loop
B Threaded Nipple	H Chain
C Lag Screw (2)	I Fixture Loop
D Lock Nut	J Ground Screw
E Canopy	K Cupped Washer
F Loop Collar	L Hex Nut

**CAUTION:** BE SURE POWER IS OFF AT THE MAIN BREAKER BOX PRIOR TO INSTALLATION.

**CAUTION:** THIS FIXTURE MUST BE SUPPORTED INDEPENDENTLY OF AN OUTLET BOX. CROSSBAR IS DESIGNED TO FIT IN THE BOTTOM OF A STANDARD METAL 4" OCTAGONAL OUTLET BOX.

1. Drill two holes through the back of the outlet box and using two lag screws (C) attach cross bar (A) to a structural member in the ceiling, centering the crossbar in the outlet box. We've supplied lag screws with your fixture; however, different materials and/or construction methods may require different fasteners. If in doubt, contact a qualified electrician.
2. Thread loop (G) onto nipple, then place canopy (E) over threaded loop and adjust nipple length to ensure a snug canopy fit using loop collar (F). Once the length is determined, set the canopy aside and lock nipple position by tightening the locknut (D) against the crossbar (A).
3. Attach one end of the chain (H) to the fixture loop (I).
4. Slide loop collar (F) and canopy (E) over chain (H) and fixture wires and rest on fixture loop (I).
5. Attach the other end of the chain to the threaded loop (G). Thread the fixture wires through every other link of the chain (H) and up through the threaded loop (G) and nipple (B) into the outlet box.



(Figure 1)

(Continued)

If you need further assistance, or find that you are missing any parts, please contact the dealer from which you purchased this product. We hope you enjoy your fixture!

\* Hubbardton Forge will not be liable for injury or damage caused by improper installation, lamping or use of this fixture.

# Installation Instructions

A371

Lisse Chandelier 19204320

Page 2 of 2

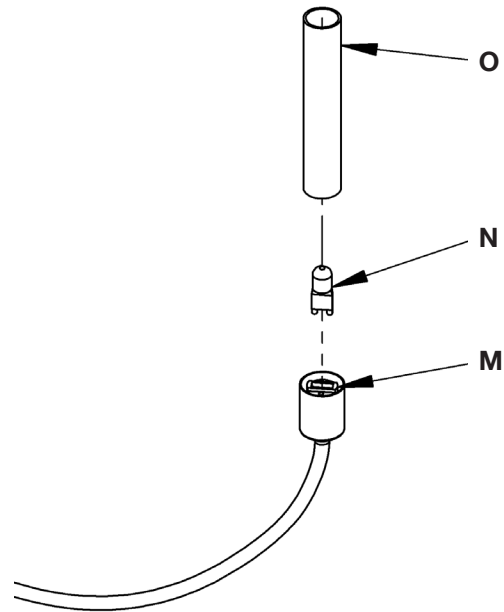
## Install the Fixture (Figure 1)

(Continued)

- Using suitable wire connectors (not provided), connect fixture wires to supply wires (white or ribbed side of fixture cord to white supply, black or smooth side of fixture cord to black supply, and bare copper to bare copper or green supply). Ground the crossbar (A) using the ground screw (J), cupped washer (K) and hex nut (L) to secure a pigtail lead to the crossbar. Push wires back into outlet box.

**CAUTION:** MAKE SURE WIRE CONNECTORS ARE TWISTED ON SECURELY, AND NO BARE WIRE IS EXPOSED.

- Slide the canopy up the chain and over the threaded loop (G). Holding tight to the ceiling, secure with loop collar (F). Make sure no wires are pinched between the canopy (E) and the ceiling or crossbar (A).



## To Install Glass (Figure 2)

### Component Parts

- M Socket
- N Bulb (Included)
- O Glass

- Install light bulb (N) into socket (M). Be careful not to touch bulb with bare hands; oil from the hands will dramatically reduce bulb life.

**Note:** The bulb included is based on our design preference; see the fixtures wattage sticker for Max wattage information.

- Slip glass (O) over bulb (N) and thread onto socket (M).  
**Be careful not to over tighten.**
- Repeat steps for remaining sockets.
- Restore electricity at main breaker.

If you need further assistance, or find that you are missing any parts, please contact the dealer from which you purchased this product. We hope you enjoy your fixture!

\*Hubbardton Forge will not be liable for injury or damage caused by improper installation, lamping or use of this fixture.