

**A501**



HUBBARDTON FORGE®

---

ASSEMBLY & INSTALLATION INSTRUCTIONS

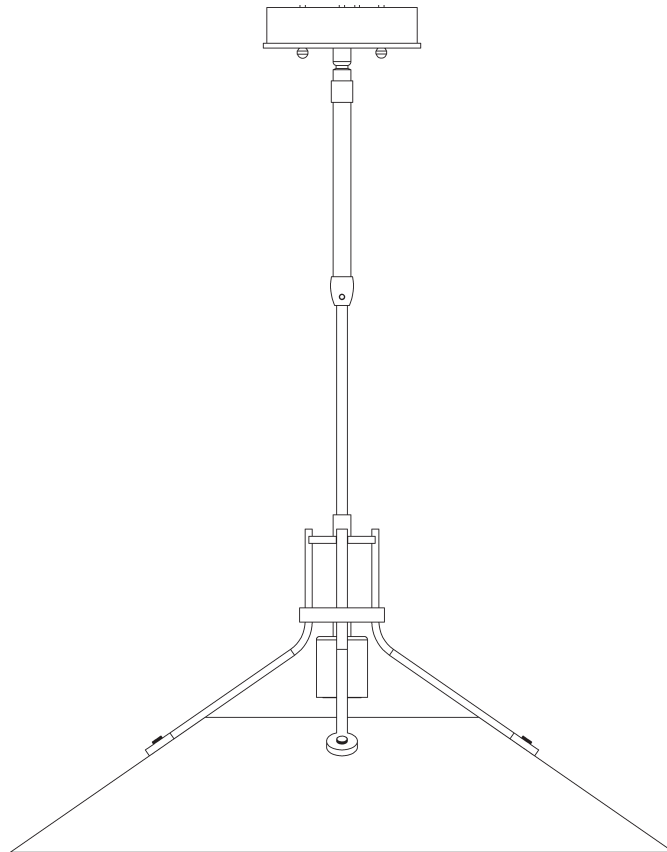
# ASSEMBLY & INSTALLATION INSTRUCTIONS

A501

Henry Outdoor Pendant 363010

---

## CONTENTS



**Component Parts**

- A**            **Fixture Pipe**
- B**            **Fixture Coupling**
- C**            **Canopy Pipe**
- D**            **Canopy**
- E**            **Clutch**
- F**            **Crossbar**
- G**            **Threaded Stud (2)**
- H**            **Ground Screw**
- I**            **Knurled Ball (2)**



# ASSEMBLY & INSTALLATION INSTRUCTIONS

A501

Henry Outdoor Pendant 363010

**CAUTION: FAILURE TO INSTALL THIS FIXTURE PROPERLY MAY RESULT IN SERIOUS PERSONAL INJURY OR DEATH AND PROPERTY DAMAGE.** We recommend installation by a licensed electrician. This product must be installed in accordance with applicable installation code(s), by a person familiar with the construction and operation of the product and the hazards involved.\*

Caution: Do not exceed maximum wattage noted on fixture. Use only recommended bulbs with fixture.

Caution: Damp location outdoor hanging fixtures are designed for use in covered spaces such as porches protected from prolonged exposure to water and wind. If installing in locations subject to wind the use of supplementary chains, cables, or similar restraints may be necessary to protect against swinging and twisting. If in doubt consult a qualified installer.

Please Note: After installation extra hardware and accessories are possible due to our kits are used on multiple products and options.

## To Prepare Fixture (Figure 1 & 2)

**CAUTION: BE SURE POWER IS OFF AT THE MAIN BREAKER BOX PRIOR TO INSTALLATION.**

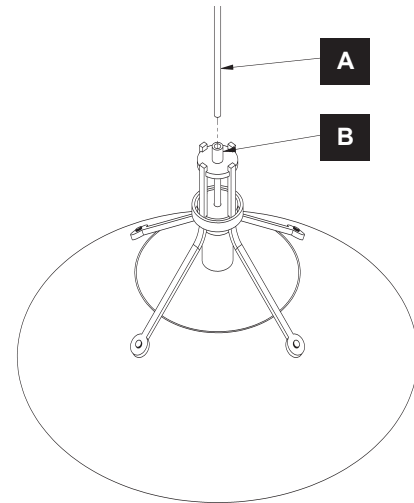
1. Carefully unpack the fixture from the carton.
2. Slip fixture pipe (A), threaded end first, over fixture wires.
3. Apply a drop of the supplied thread locking compound to the threads of the fixture pipe (A) and screw pipe into the fixture coupling (B), being careful not to twist or pinch the wires. (Figure 1)

**Note: Application of the thread locking compound is necessary to prevent the stem from loosening during the regular maintenance and cleaning of the fixture. Be certain to apply the compound.**

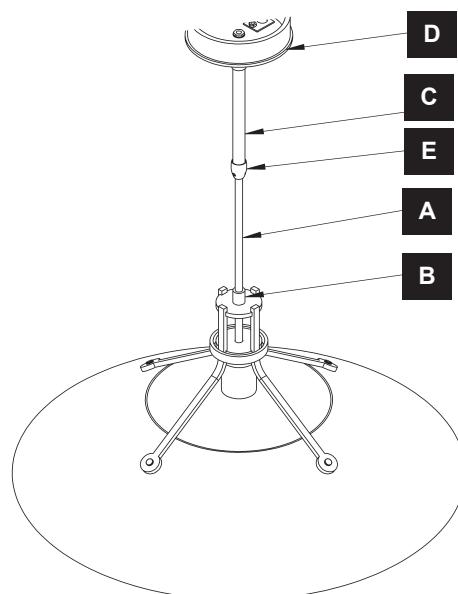
4. Slip wires from fixture pipe (A) through canopy pipe (C) and through canopy (D).
5. Slide canopy pipe (C) down fixture pipe (A) until desired fixture height is reached; tighten all 3 set screws in clutch (E) to set the height. (Figure 2)

**Note: Once set screws in clutch (E) are tightened the fixture pipe (A) will have marks from the set screws. Tighten set screws with fixture at desired height.**

6. Locate crossbar (F), thread threaded studs (G) into appropriate locations that align with the holes in the canopy (D). Threaded studs (G) should be threaded into the same side of the crossbar (F) as the ground screw (H). Using two machine screws (not provided), fasten the crossbar (F) to the electrical box with threaded studs (G) pointing downward. (Figure 2)



(Figure 1)



(Figure 2)

CONTINUED

**HF** HUBBARDTON FORGE.

MODERN AMERICAN BLACKSMITHS | FINE, HAND CRAFTED LIGHTING  
CASTLETON, VERMONT USA | HUBBARDTONFORGE.COM

37491 Rev A

# ASSEMBLY & INSTALLATION INSTRUCTIONS

A501

Henry Outdoor Pendant 363010

**CAUTION: FAILURE TO INSTALL THIS FIXTURE PROPERLY MAY RESULT IN SERIOUS PERSONAL INJURY OR DEATH AND PROPERTY DAMAGE.** We recommend installation by a licensed electrician. This product must be installed in accordance with applicable installation code(s), by a person familiar with the construction and operation of the product and the hazards involved.\*

Caution: Do not exceed maximum wattage noted on fixture. Use only recommended bulbs with fixture.

## To Attach to Ceiling (Figure 3)

- Attach a pigtail lead to the crossbar ground screw (H). Using suitable wire connectors (not provided) connect wires to supply wires (white to white and black to black). Connect all ground wires (bare copper or green to bare copper or green).

**Note: A new electric box comes with screws. When replacing a fixture, retain the existing screws for use with the new fixture.**

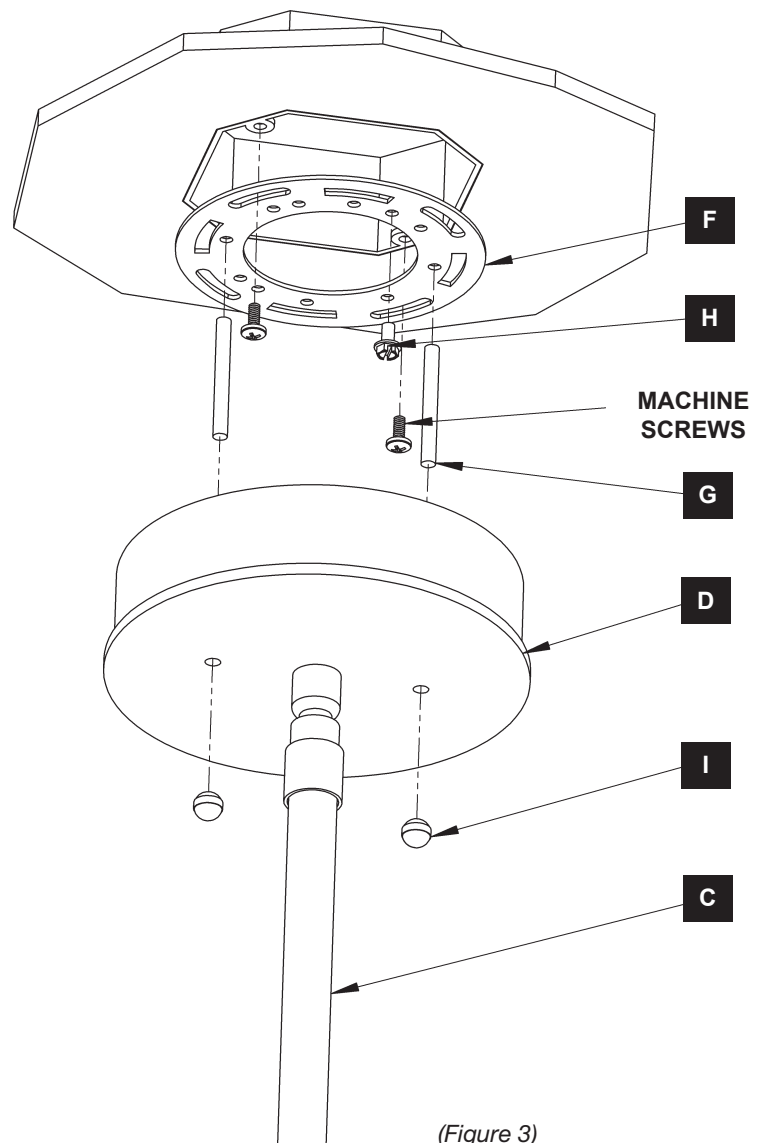
- Slide canopy (D) over threaded studs (G) and push firmly to ceiling. Fasten with knurled balls (I). Be sure studs (G) are fully seated in the knurled balls (I).

**CAUTION: MAKE SURE WIRE CONNECTORS ARE TWISTED ON SECURELY, AND NO BARE WIRES ARE EXPOSED.**

- Install bulb (Not Included).

- Restore electricity at main breaker.

**CAUTION: BE SURE NO WIRES ARE PINCHED BETWEEN THE CANOPY (A) AND THE CEILING.**



(Figure 3)

If you need further assistance, or find that you are missing any parts, please contact the dealer from which you purchased this product. We hope you enjoy your fixture!

\* *Hubbardton Forge will not be liable for injury or damage caused by improper installation, lamping or use of this fixture.*

**HF** HUBBARDTON FORGE.

MODERN AMERICAN BLACKSMITHS | FINE, HAND CRAFTED LIGHTING  
CASTLETON, VERMONT USA | HUBBARDTONFORGE.COM

37491 Rev A