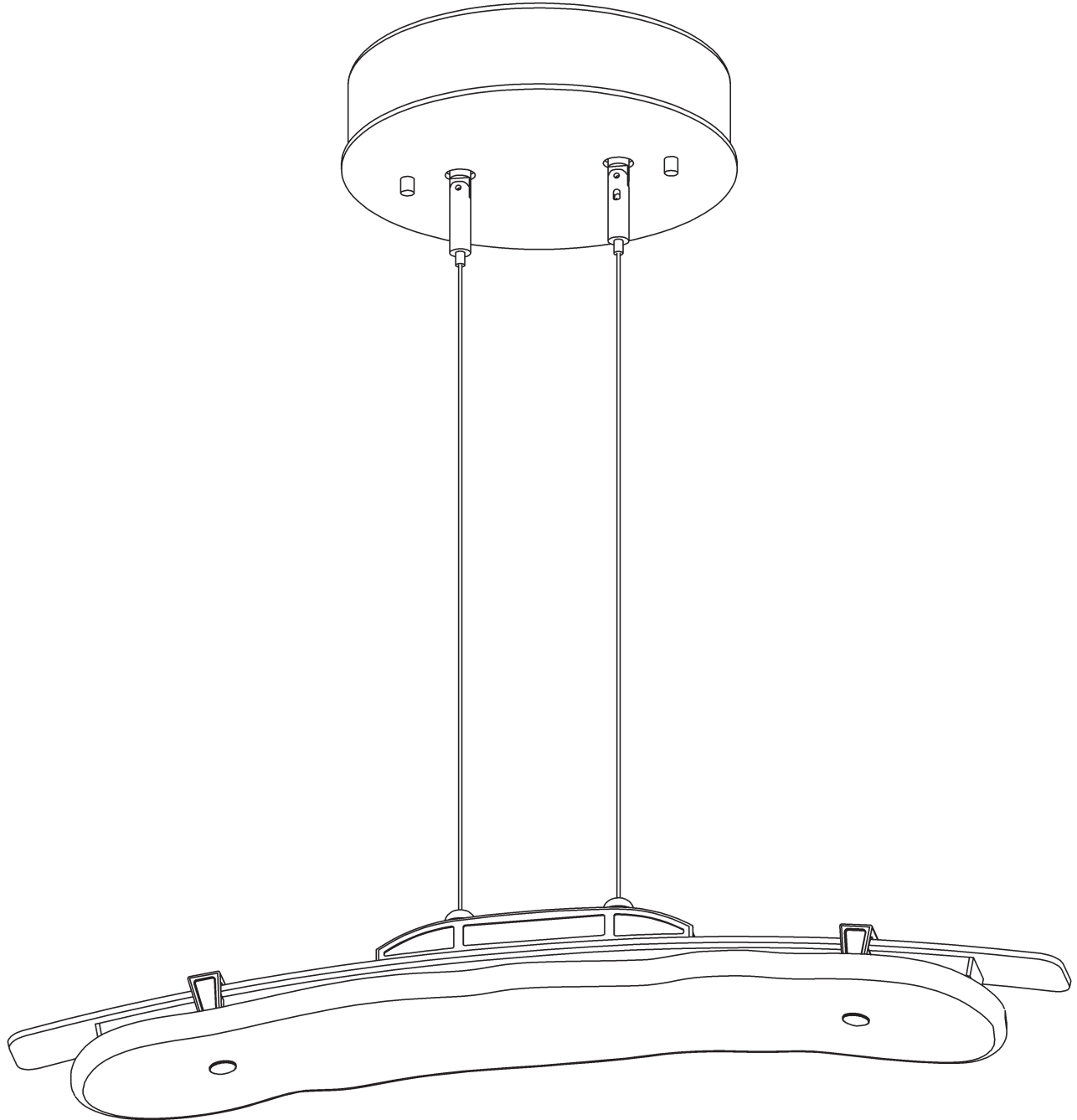


# ASSEMBLY & INSTALLATION INSTRUCTIONS

Glissade Pendant 137585

A906



HUBBARDTON FORGE.

MODERN AMERICAN BLACKSMITHS | FINE, HAND CRAFTED LIGHTING  
CASTLETON, VERMONT USA | HUBBARDTONFORGE.COM

51502

PAGE 1 OF 6

**Component Parts**

- A Canopy**
- B Canopy Cover Plate**
- C Knob w/Threaded Stud (2)**
- D Ground Screw**
- E Cupped Washer**
- F Gripper (2)**
- G Gripper Plate**
- H #8 Screws (2)**
- I Driver**
- J Standoff (2)**
- K Fixture**
- L Support/Supply Cable (2)**
- M Glass Bracket (2)**
- N Thumb Screw Short (2)**
- O Thumb Screw Long (2)**
- P Black Rubber Washer (2)**
- Q Glass**



# ASSEMBLY & INSTALLATION INSTRUCTIONS

A906

Glissade Pendant 137585

**CAUTION: FAILURE TO INSTALL THIS FIXTURE PROPERLY MAY RESULT IN SERIOUS PERSONAL INJURY OR DEATH AND PROPERTY DAMAGE.** We recommend installation by a licensed electrician. This product must be installed in accordance with applicable installation code(s), by a person familiar with the construction and operation of the product and the hazards involved.\*

**Caution:** Do not exceed maximum wattage noted on fixture. Use only recommended bulbs with fixture.

Please Note: After installation extra hardware and accessories are possible; our kits are used on multiple products.

## To Attach to Ceiling *(Figure 1 - on following page)*

**CAUTION: BE SURE POWER IS OFF AT THE MAIN BREAKER BOX PRIOR TO INSTALLATION.**

1. Carefully unpack the fixture from the carton.
2. Locate canopy assembly. Remove knobs with stud (C) and canopy cover plate (B) and set aside for later use.
3. Remove (2) #8 screws (J) and gripper plate (I) from canopy (A).

**NOTE: TO ENSURE FIXTURE ORIENTATION WILL BE CORRECT, TAKE NOTE OF GRIPPER LOCATIONS ON CANOPY BEFORE NEXT STEPS.**

4. Thread the wires from the electrical box through the center hole in the canopy (A) while moving the canopy into position. Using two machine screws (not provided), fasten the canopy to the electric box using oval slots in center.

**NOTE: A NEW ELECTRIC BOX COMES WITH SCREWS. WHEN REPLACING A FIXTURE, RETAIN THE EXISTING SCREWS FOR USE WITH THE NEW FIXTURE.**

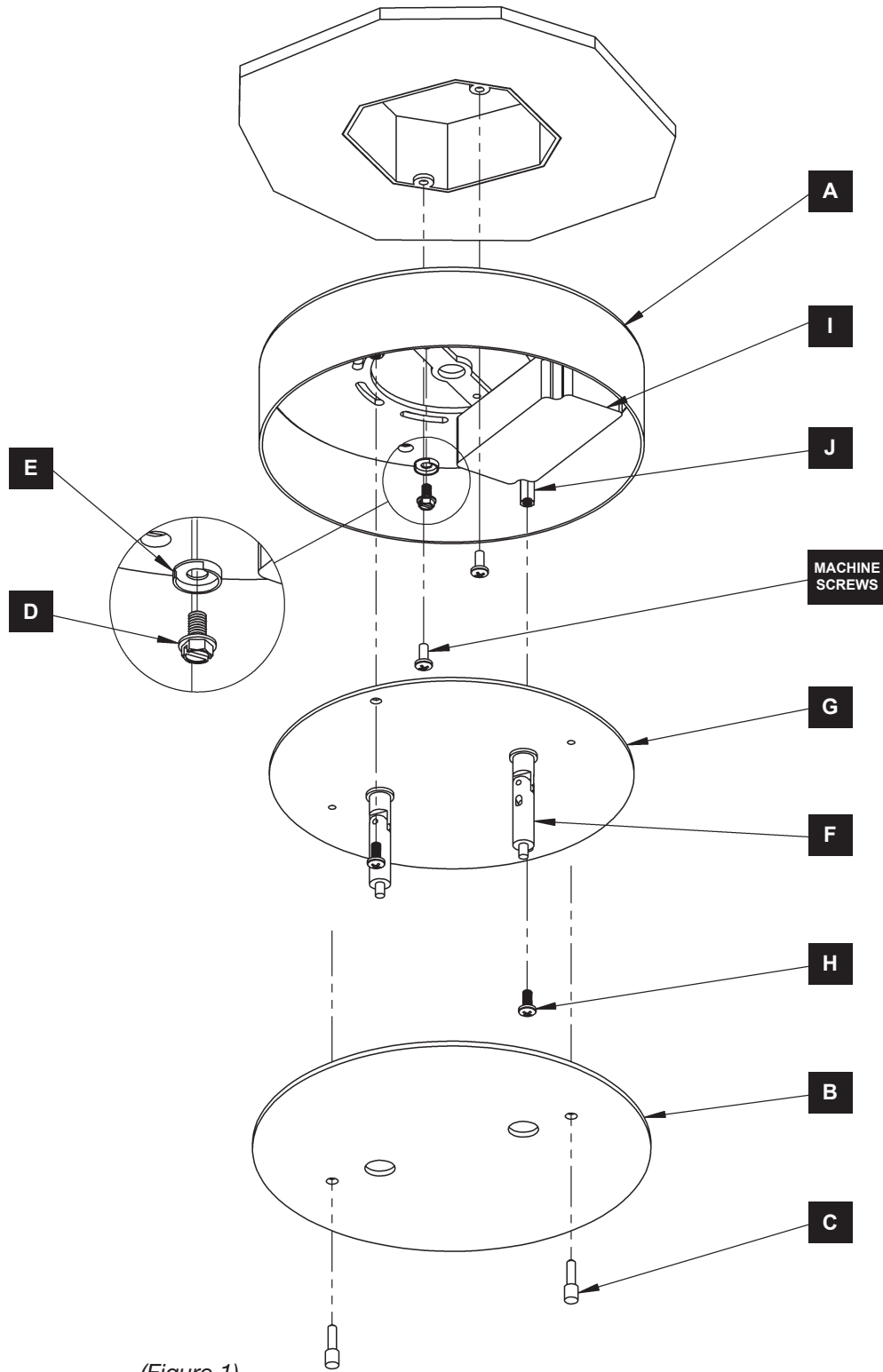
5. Attach a pigtail lead to the canopy (A) using the provided ground screw (D) and cupped washer (E), found in kit bag.
6. Using suitable wire connectors (not provided) connect driver (K) wires to supply wires (white to white and black to black). Connect all ground wires (bare copper or green to bare copper or green) together.

**CAUTION: MAKE SURE WIRE CONNECTORS ARE TWISTED ON SECURELY, AND NO BARE WIRES ARE EXPOSED.**

7. Re-install gripper plate (I) by installing (2) #8 screws (J) into standoffs (L) in canopy (A).
8. Lift canopy cover plate (B) up to the bottom of canopy (A) allowing the grippers (H) to come through holes in the center of the canopy cover plate.
9. Secure canopy cover plate (B) with knobs with threaded studs (C).
10. Refer to following pages to continue install.

Glissade Pendant 137585

To Attach to Ceiling (Figure 1)

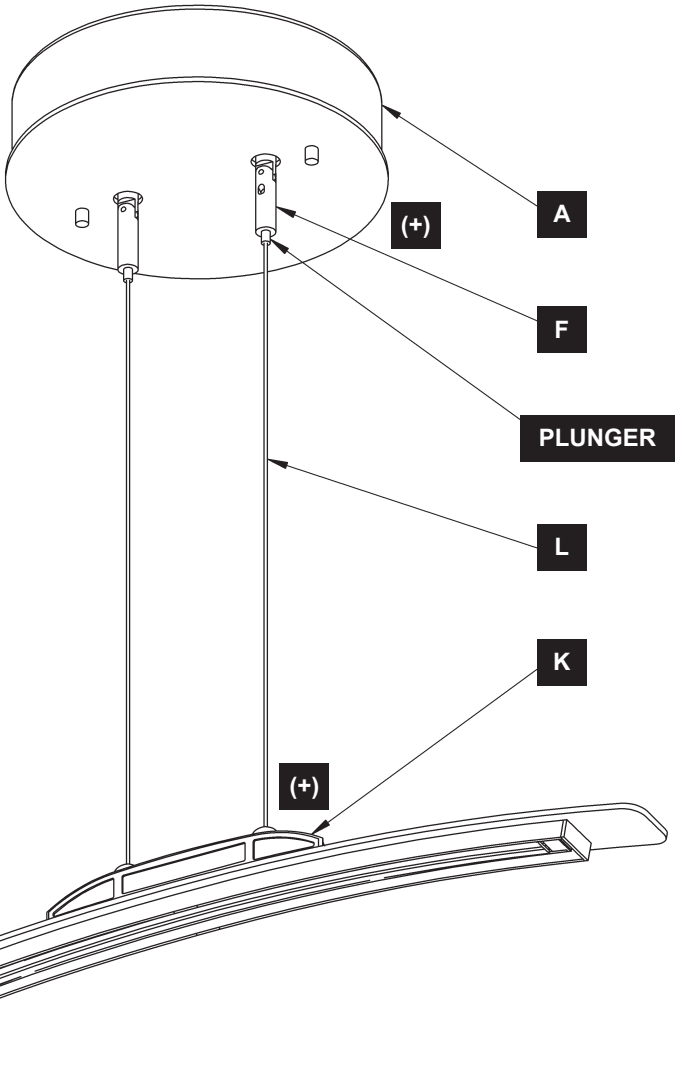


(Figure 1)

Glissade Pendant 137585

## To Install Fixture (Figure 2)

1. Locate the positive (+) label on top of the fixture (M).
2. Align the positive (+) sticker on the fixture (M) with the positive (+) sticker on the gripper (H).
3. Push the support/supply cable (N) from the positive (+) side of the fixture (M) into the positive (+) gripper (H). Push the cable in far enough so that it exits the side of the gripper.
4. Repeat step 3 for the remaining supply/support cable (N) and gripper (H).
5. Adjust fixture (M) to desired height by pressing in the plunger on the gripper (H) and pushing/pulling the supply/support cables (N) as necessary.
6. Once the fixture (M) is at the desired height cut the supply/support cables (N) as close to the notch in the gripper (H) as possible.



**CAUTION:** ONCE EXCESS CABLE IS CUT, FIXTURE CANNOT BE LOWERED.

**CAUTION:** FIXTURE WILL NOT LIGHT IF ANY PART OF THE SUPPORT CABLE IS TOUCHING THE FIXTURE.

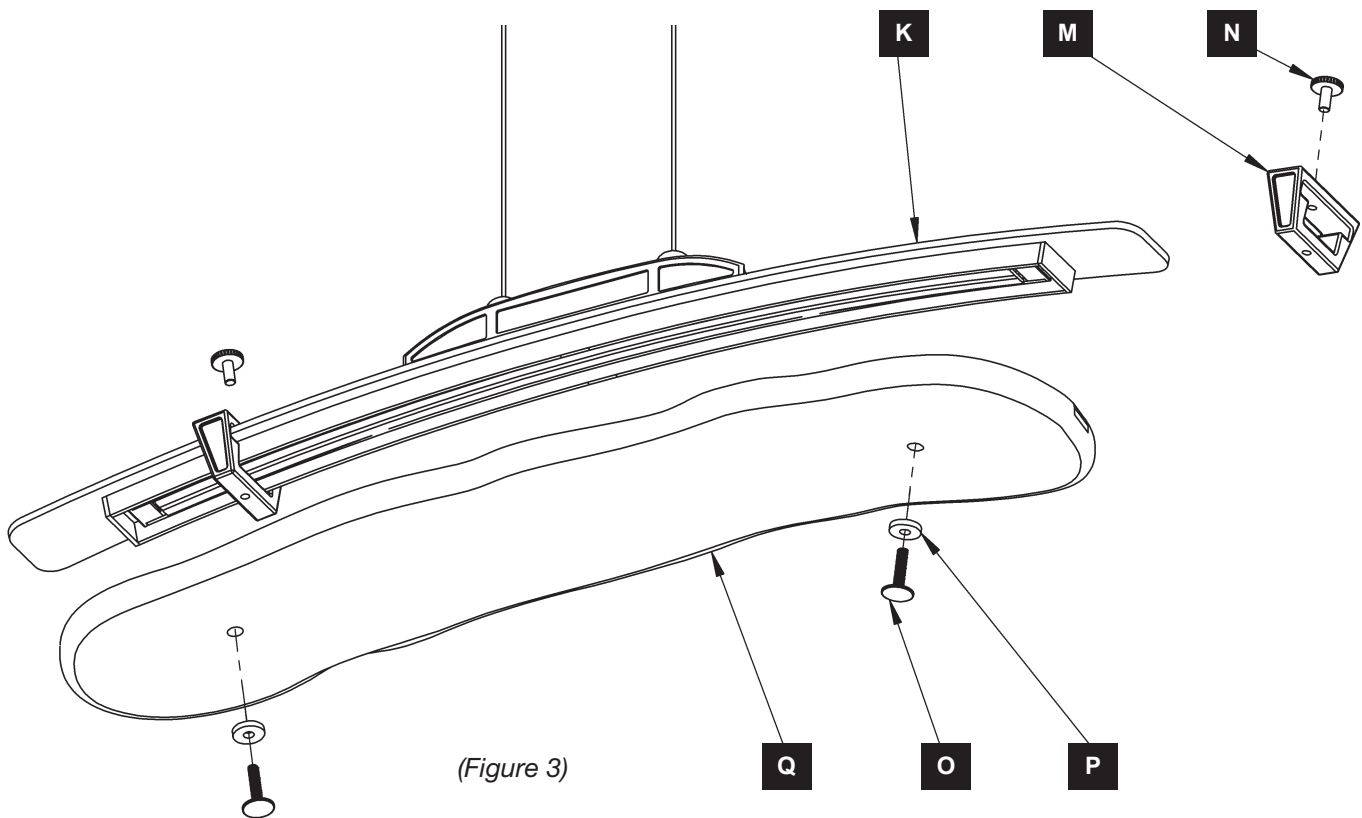
7. Refer to instructions on next page to install glass.

(Figure 2)

Glissade Pendant 137585

## To Install Glass (Figure 3)

1. Locate remaining parts. Slide one glass bracket (M) over fixture (K).
2. Carefully unpack glass (Q).
3. Lift glass (Q) up to glass bracket (M) aligning holes securing with rubber washer (P) and thumb screw long (O).
4. Slide remaining glass bracket (M) over fixture (K), align with hole in glass (Q) and secure with remaining rubber washer (P) and thumb screw long (O).
5. Locate thumb screws short (N), center glass (Q) on fixture (K) and secure in place by threading thumb screws short (N) into the top hole on glass brackets (M).
6. Restore electricity at main breaker.



If you need further assistance, or find that you are missing any parts, please contact the dealer from which you purchased this product. We hope you enjoy your fixture!

**\* Hubbardton Forge will not be liable for injury or damage caused by improper installation, lamping or use of this fixture.**