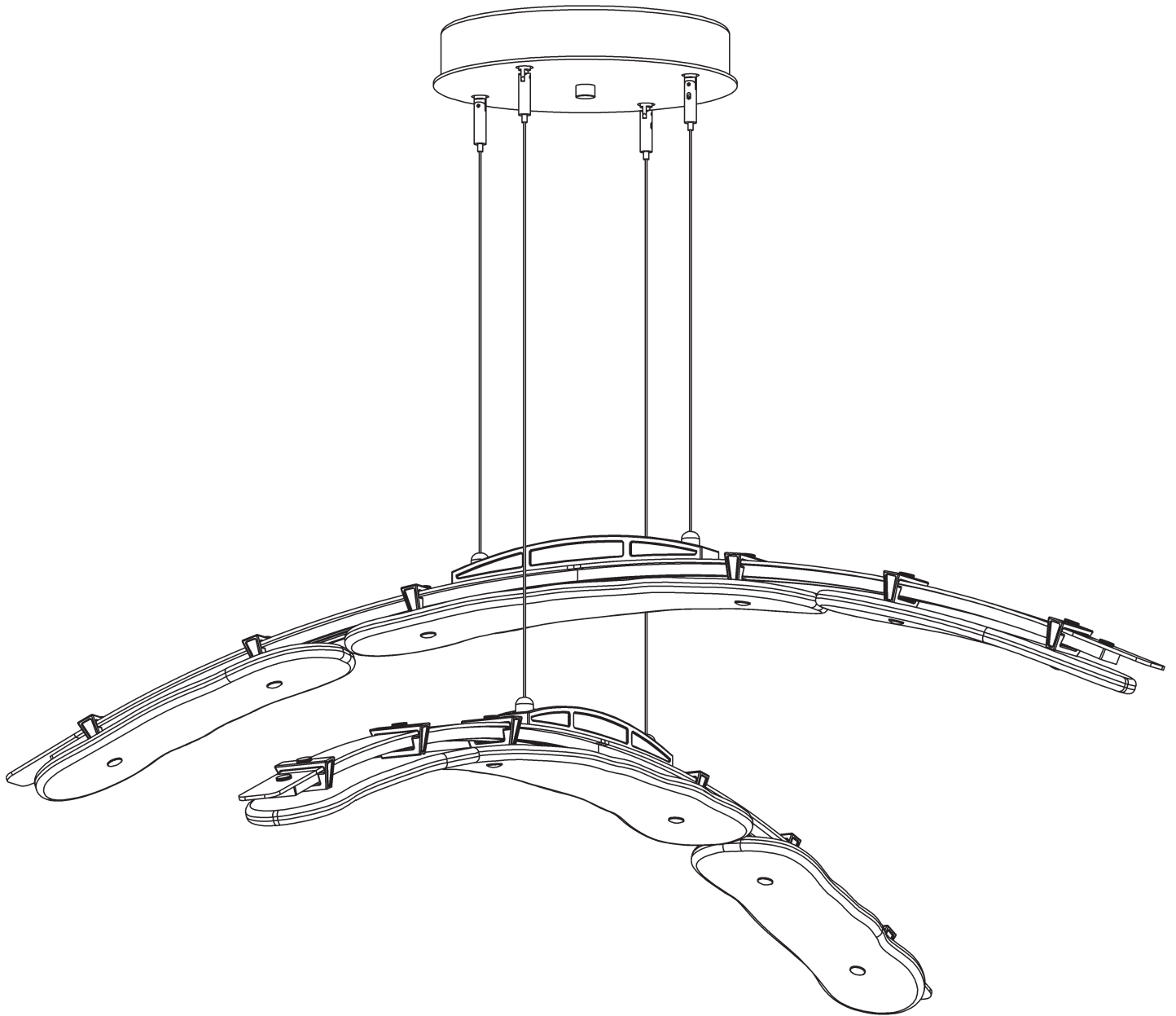


ASSEMBLY & INSTALLATION INSTRUCTIONS

A913

Glissade Pendant Large Double 137587



Component Parts

- A Canopy**
- B Canopy Cover Plate**
- C Canopy Nipple**
- D Knob**
- E Ground Screw**
- F Cupped Washer**
- G Gripper (2)**
- H Gripper Plate**
- I #8 Screws (4)**
- J Driver (2)**
- K Standoff (4)**
- L Anchor (4)**
- M #10 Screws**
- N Fixture**
- O Support/Supply Cable (2)**
- P Glass Bracket (6)**
- Q Thumb Screw Short (8)**
- R Thumb Screw Long (6)**
- S Black Rubber Washer (6)**
- T Glass Small (2)**
- U Glass Large**



ASSEMBLY & INSTALLATION INSTRUCTIONS

A913

Glissade Pendant Large Double 137587

CAUTION: FAILURE TO INSTALL THIS FIXTURE PROPERLY MAY RESULT IN SERIOUS PERSONAL INJURY OR DEATH AND PROPERTY DAMAGE. We recommend installation by a licensed electrician. This product must be installed in accordance with applicable installation code(U), by a person familiar with the construction and operation of the product and the hazards involved.*

Caution: Do not exceed maximum wattage noted on fixture. Use only recommended bulbs with fixture.

Please Note: After installation extra hardware and accessories are possible; our kits are used on multiple products.

To Attach to Ceiling *(Figure 1 - on following page)*

CAUTION: BE SURE POWER IS OFF AT THE MAIN BREAKER BOX PRIOR TO INSTALLATION.

1. Carefully unpack the fixture from the carton.
2. Locate canopy assembly. Remove knob (D) and canopy cover plate (B). Set aside for later use.
3. Remove (4) #8 screws (I) and gripper plate (H) from canopy (A).

NOTE: TO ENSURE FIXTURE ORIENTATION WILL BE CORRECT, TAKE NOTE OF GRIPPER LOCATIONS ON CANOPY BEFORE NEXT STEPS.

4. For additional holes needing anchors, place canopy (A) over the electrical box. Line up holes in canopy with holes in electrical box. With a pencil, mark the location of mounting holes needing anchors in canopy on ceiling. Set canopy (A) aside.
5. Drill 1/4" holes in the locations marked on the ceiling. Place the tapered end of the anchors (N) into the holes and gently tap them flush to the ceiling using a light weight hammer.
6. Thread the wires in the electrical box through the hole in the canopy (A) while moving the canopy into position. Using two machine screws (not provided) fasten canopy (A) to the electric box.

NOTE: A NEW ELECTRIC BOX COMES WITH SCREWS. WHEN REPLACING A FIXTURE, RETAIN THE EXISTING SCREWS FOR USE WITH THE NEW FIXTURE.

7. Install screws (O) into holes with anchors (N). Be sure not to over tighten and strip the anchor (N).

NOTE: WOOD SCREWS ARE SUPPLIED WITH YOUR FIXTURE; HOWEVER, DIFFERENT MATERIALS AND/OR CONSTRUCTION METHODS MAY REQUIRE DIFFERENT FASTENERS. IF IN DOUBT, CONTACT A QUALIFIED ELECTRICIAN.

8. Attach a pigtail lead to the canopy (A) using the provided ground screw (E) and cupped washer (F), found in kit bag.
9. Using suitable wire connectors (not provided) connect driver (J) wires to supply wires (white to white and black to black). Connect all ground wires (bare copper or green to bare copper or green) together.

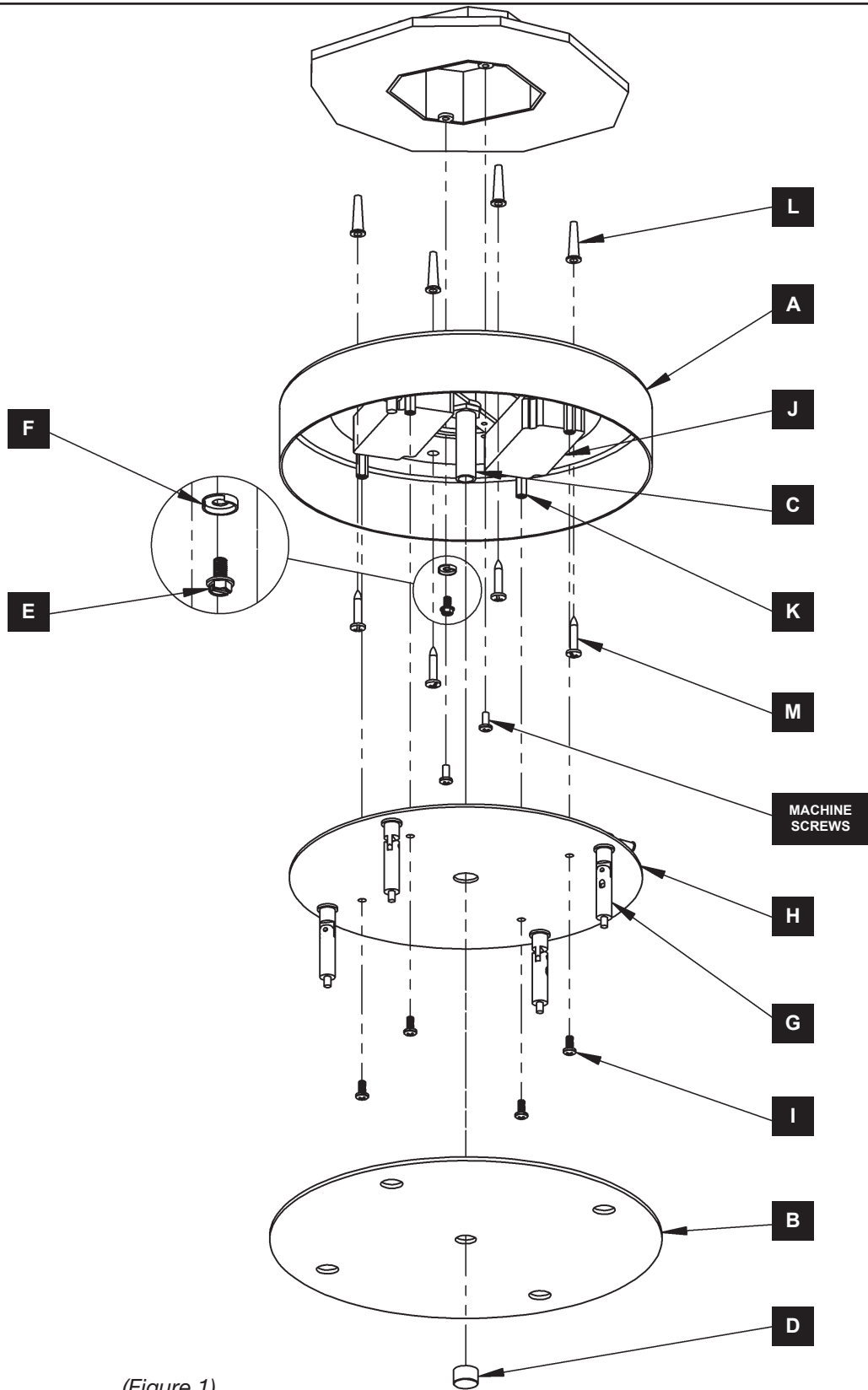
CAUTION: MAKE SURE WIRE CONNECTORS ARE TWISTED ON SECURELY, AND NO BARE WIRES ARE EXPOSED.

10. Re-install gripper plate (H) by installing (4) #8 screws (I) into standoffs (K) in canopy (A).
11. Lift canopy cover plate (B) up to the bottom of canopy (A) allowing the grippers (G) to come through holes in the center of the canopy cover plate.
12. Slide canopy cover plate (B) over canopy nipple (C) and secure with knob (D).
13. Refer to following pages to continue install.

ASSEMBLY & INSTALLATION INSTRUCTIONS

A913

Glissade Pendant Large Double 137587



(Figure 1)

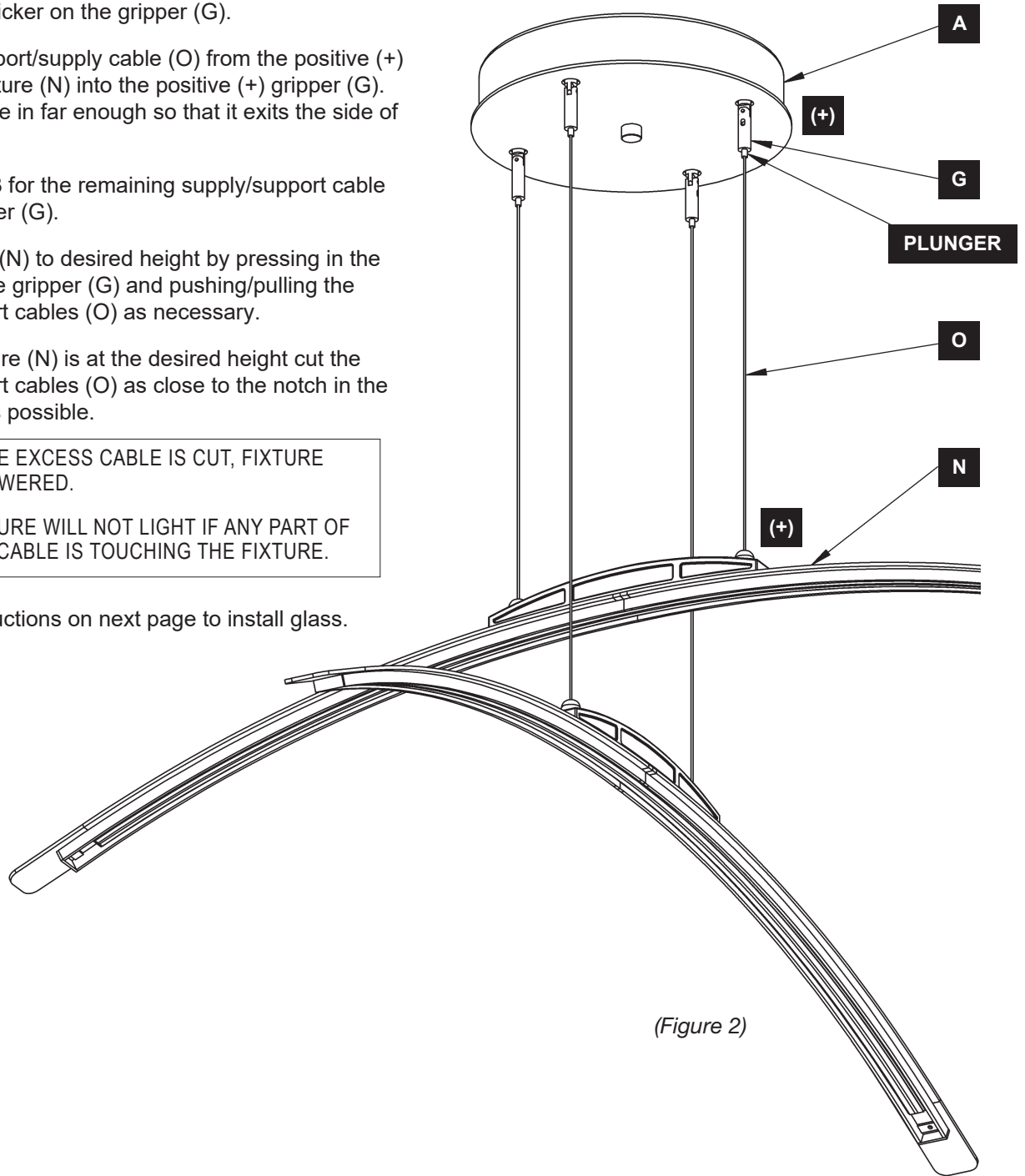
To Install Fixture (Figure 2)

1. Locate the positive (+) label on top of the fixture (N).
2. Align the positive (+) sticker on the fixture (N) with the positive (+) sticker on the gripper (G).
3. Push the support/supply cable (O) from the positive (+) side of the fixture (N) into the positive (+) gripper (G). Push the cable in far enough so that it exits the side of the gripper.
4. Repeat step 3 for the remaining supply/support cable (O) and gripper (G).
5. Adjust fixture (N) to desired height by pressing in the plunger on the gripper (G) and pushing/pulling the supply/support cables (O) as necessary.
6. Once the fixture (N) is at the desired height cut the supply/support cables (O) as close to the notch in the gripper (G) as possible.

CAUTION: ONCE EXCESS CABLE IS CUT, FIXTURE CANNOT BE LOWERED.

CAUTION: FIXTURE WILL NOT LIGHT IF ANY PART OF THE SUPPORT CABLE IS TOUCHING THE FIXTURE.

7. Refer to instructions on next page to install glass.



(Figure 2)

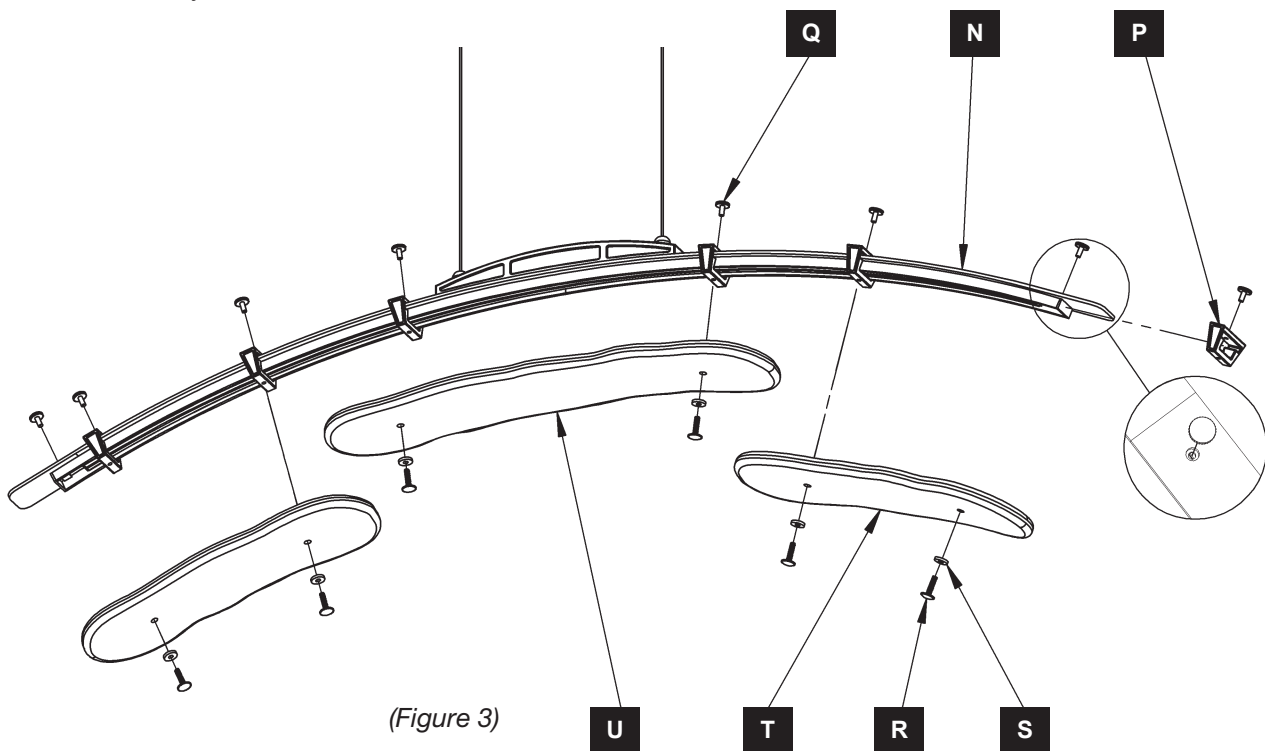
Glissade Pendant Large Double 137587

To Install Glass (Figure 3)

1. Locate remaining parts. Slide glass brackets (P) over fixture (N).
2. Locate thumb screws short (Q). Thread one thumb screw short (Q) into each side of fixture (N) to prevent glass (T) from sliding off of fixture (N)
3. Carefully unpack glass (T & U).
4. Lift large glass (U) up to middle glass brackets (P). Align holes in glass (U) with brackets (P) and secure using rubber washers (S) and thumb screws long (R).
5. Center large glass (U) on fixture (N) and secure in place by threading thumb screws short (Q) into the top hole on glass brackets (P).

NOTE: THUMB SCREWS SHORT (Q) SHOULD TIGHTEN AGAINST FIXTURE (N).

6. Lift small glass (T) up to outer glass brackets (P). Align holes in glass (T) with brackets (P) and secure using rubber washers (S) and thumb screws long (R).
7. Space glass (T) and secure in place by threading thumb screws short (Q) into the top hole on glass brackets (P).
8. Repeat step 6 & 7 for remaining small glass (T).
9. Restore electricity at main breaker.



If you need further assistance, or find that you are missing any parts, please contact the dealer from which you purchased this product. We hope you enjoy your fixture!

*** Hubbardton Forge will not be liable for injury or damage caused by improper installation, lamping or use of this fixture.**